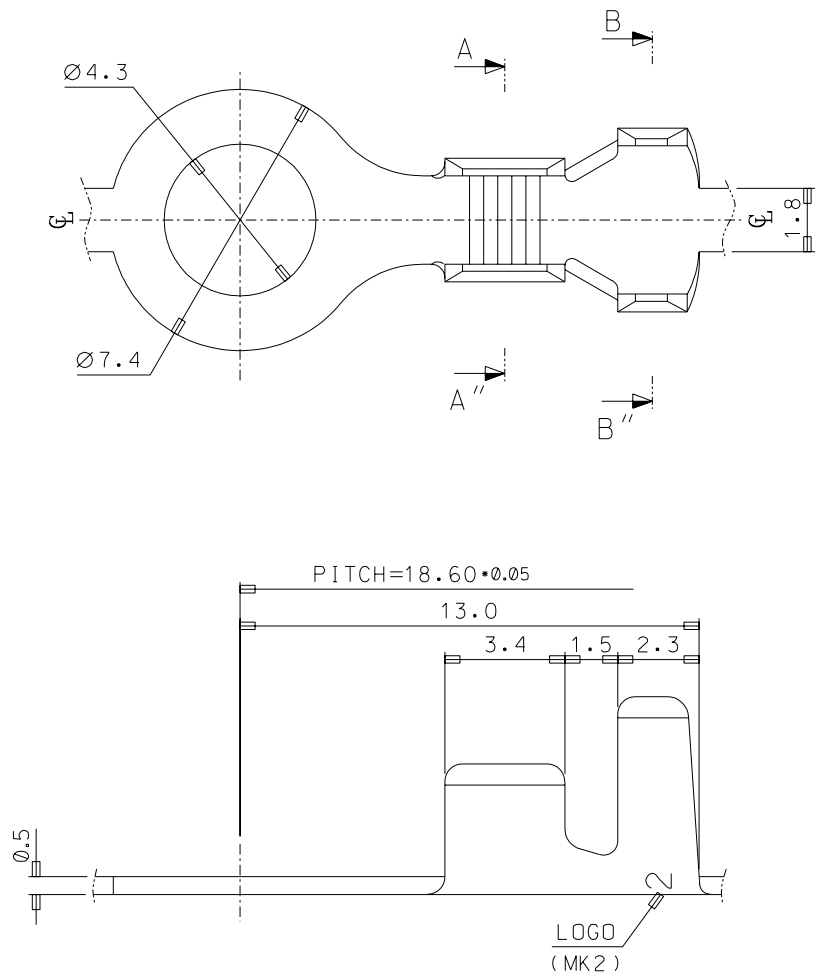
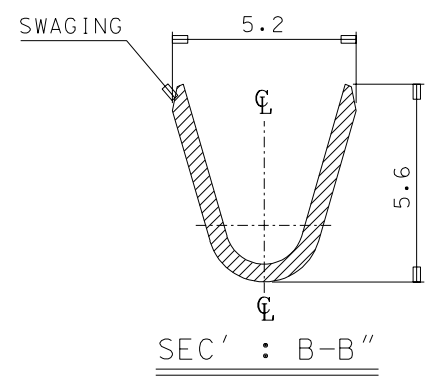
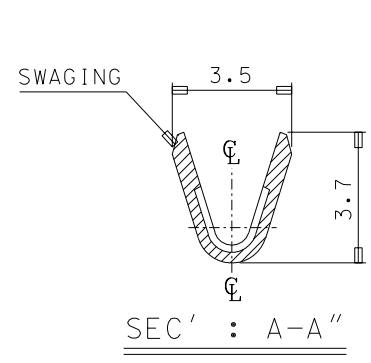


DO NOT SCALE DRAWING
DIMENSION IN METRIC

PROJECT NO. \varnothing 4.3 RING TERMINAL
SIMILAR ITEM
DWG. NO. SD-35750-001



- NOTES
- MATERIAL : BRASS , 0.5mm THICKNESS
 - FINISH : 35750-1000 (UNPLATED)
35750-1010 (PRE-PLATED TIN)
35723-0804 (POST-PLATED TIN-LEAD)
 - RECOMMENDED LENGTH OF WIRE STRIP IS 4.8-5.4mm.
 - APPLICABLE WIRE : AWG #18-#14 (0.75-2.08mm²)
INSULATION DIA. : \varnothing 3.2mm MAX.



REDRAWN EC NO. KOR2005-0017 DRWN: C.-B. CHIN 04/08/23 CHK: W. Y. YANG APPR: C. W. LEE	QUALITY SYMBOLS MAJOR $\blacktriangledown = 0$ CRITICAL $\blacktriangle = 0$	GENERAL TOLERANCES: (UNLESS SPECIFIED)		SCALE 7:1	DESIGN UNITS <input checked="" type="checkbox"/> mm <input type="checkbox"/> INCH	THIRD ANGLE PROJECTION	DIMENSIONS: <input type="checkbox"/> mm <input type="checkbox"/> INCH <input checked="" type="checkbox"/> mm ONLY	SHT REVISE ON CAD ONLY	
		4 PLACES $\pm 0.$ $\pm.$ 3 PLACES $\pm 0.$ $\pm.$ 2 PLACES ± 0.2 $\pm.$ 1 PLACE ± 0.3 $\pm.$	DRAWN BY & DATE J.S.KANG 97/12/04 CHECKED BY & DATE B.K.CHOI 97/12/04 APPROVED BY & DATE C.W.LEE 97/12/04	TITLE: \varnothing 4.3 RING TERMINAL		CAD FILENAME s7501000.dgn		MATERIAL NO. SEE NOTES	DRAWING NO. SD-35750-001
E1	REV	ANGULAR: $\pm 1^\circ$		DRAFT WHERE APPLICABLE MUST REMAIN WITHIN DIMENSIONS		THIS DRAWING CONTAINS INFORMATION THAT IS PROPRIETARY TO MOLEX INCORPORATED AND SHOULD NOT BE USED WITHOUT WRITTEN PERMISSION.			SIZE B