

Please note that the data given here has been taken from the online catalog. For comprehensive information and data, please refer to the user documentation at <http://www.download.phoenixcontact.com>. The General Terms and Conditions of Use apply to Internet downloads.

▶ Extract from the online catalog



DIN rail, material: Steel, unperforated, height 7.5 mm, width 35 mm, length: 2 m

Order No.	0801681
Ord designation	NS 35/ 7,5 UNPERF 2000MM
EAN	4017918006648
Pack	1 Meter
Customs tariff	72287010
Catalog page information	Page 440 (CL-2005)

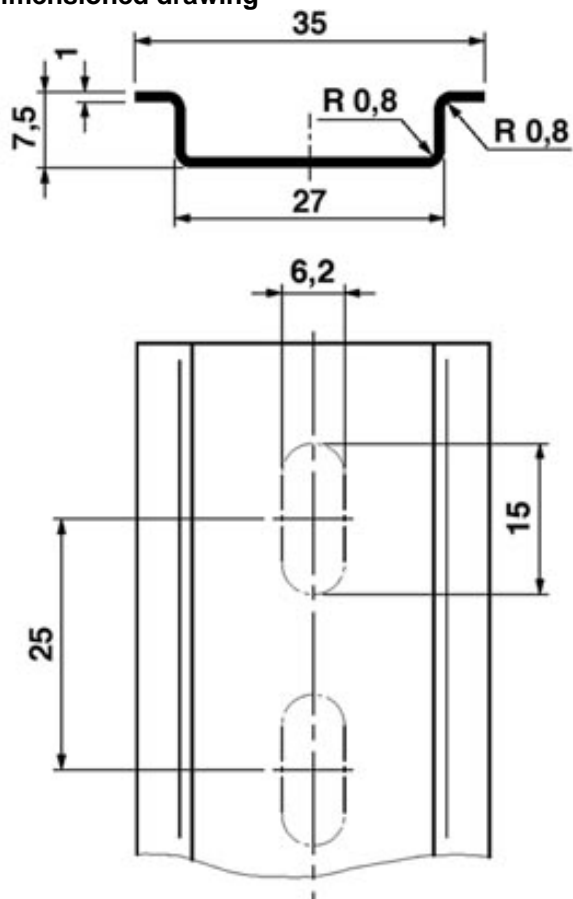
▶ Technical data

General data

Height	7.5 mm
Length	2000 mm
Width	35 mm
Material	Steel
Color	chromated
Test standard	In acc. with EN 60715: 2001

► Drawings

Dimensioned drawing





► Address

PHOENIX CONTACT Inc., USA
586 Fulling Mill Road
Middletown, PA 17057
USA
Phone (800) 888-7388
Fax (717) 944-1625
<http://www.phoenixcon.com>
Phoenix Contact
Technical modifications reserved;