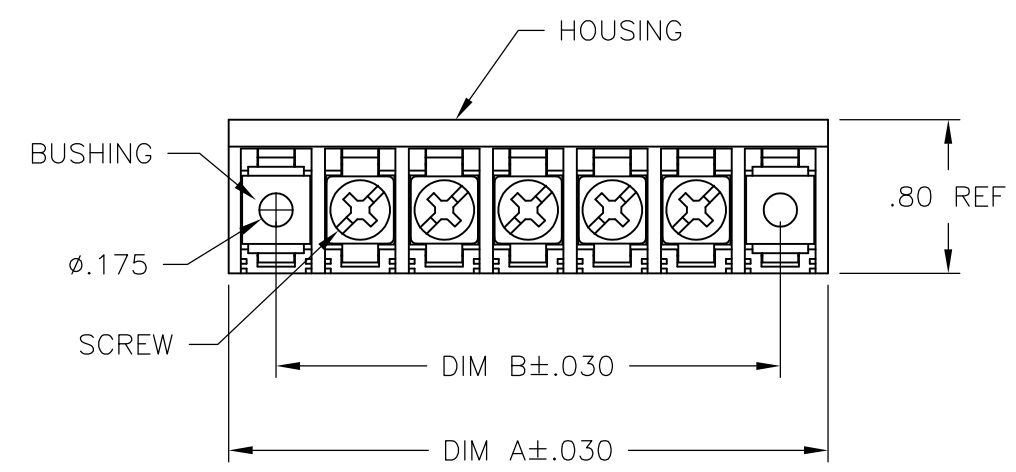


THIS DRAWING IS UNPUBLISHED. RELEASED FOR PUBLICATION
 © COPYRIGHT BY TYCO ELECTRONICS CORPORATION. ALL RIGHTS RESERVED.

LOC	DIST	REVISIONS					
FT	0	P	LTR	DESCRIPTION	DATE	DWN	APVD
			F	REVISED PER ECO-09-019330	31AUG09	HMR	CR

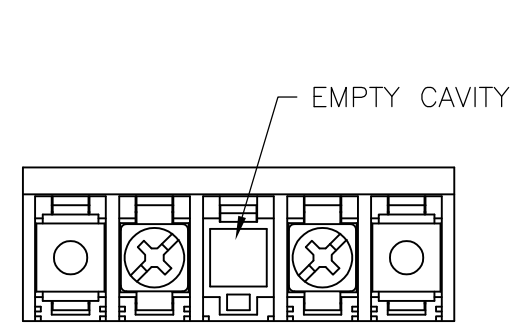
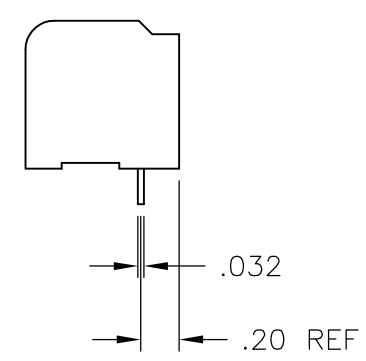
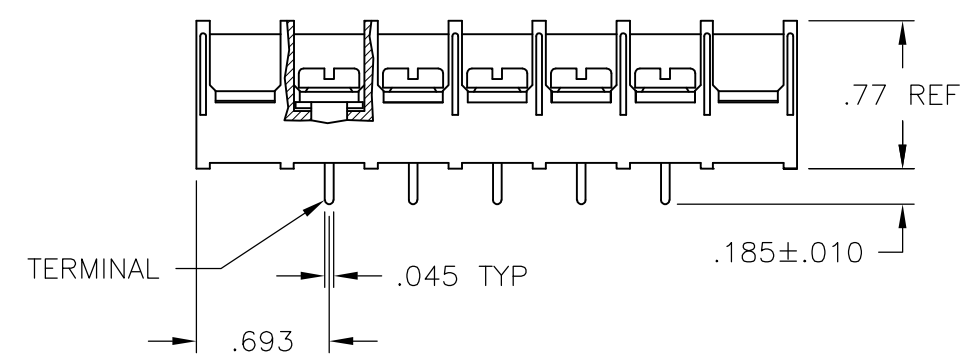


MATERIALS:
 HOUSING: THERMOPLASTIC, UL94V-0, BLACK.
 TERMINAL: BRIGHT TIN PLATED COPPER ALLOY.
 SCREWS: 8-32 ZINC PLATED STEEL.

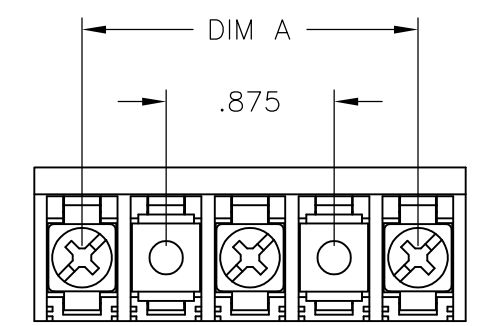
ELECTRICAL:
 CURRENT RATING: 30A
 VOLTAGE RATING: 600V
 WIRE RANGE: 10-18 AWG (UL)
 10-22 AWG (CSA)

MECHANICAL:
 RECOMMENDED TORQUE: 20 IN-LB.
 OPERATING TEMP.: -40°C TO +120°C.

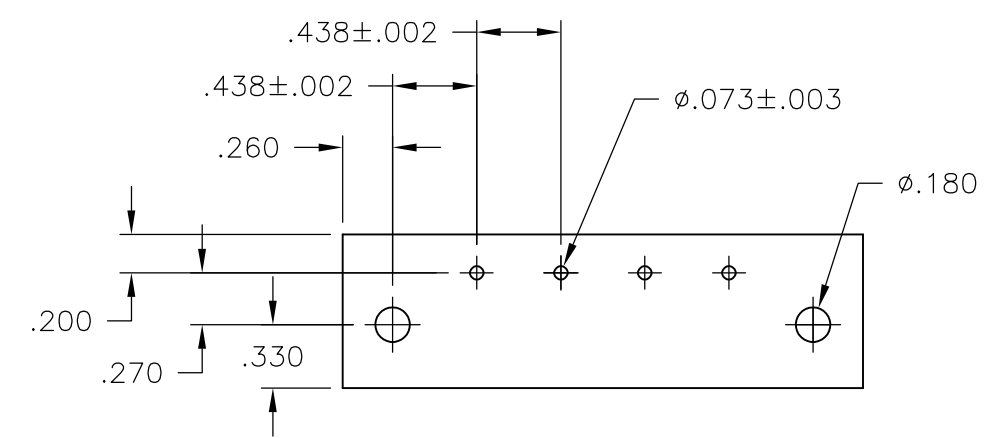
1 SCREWS TO BE BOTTOMED.



1546156-1



7-1437657-3



RECOMMENDED PCB LAYOUT

THIS DRAWING IS A CONTROLLED DOCUMENT.		DWN S SCHLEGEL 2/25/03	Tyco Electronics Corporation Harrisburg, PA 17105-3608												
DIMENSIONS: INCHES		CHK H WAKEEM 2/25/03	NAME												
TOLERANCES UNLESS OTHERWISE SPECIFIED:		APVD H WAKEEM 2/25/03	PRODUCT SPEC												
<table border="0"> <tr><td>0 PLC</td><td>± -</td></tr> <tr><td>1 PLC</td><td>± -</td></tr> <tr><td>2 PLC</td><td>± .01</td></tr> <tr><td>3 PLC</td><td>± .005</td></tr> <tr><td>4 PLC</td><td>± -</td></tr> <tr><td>ANGLES</td><td>± 1°</td></tr> </table>		0 PLC	± -	1 PLC	± -	2 PLC	± .01	3 PLC	± .005	4 PLC	± -	ANGLES	± 1°	APPLICATION SPEC	
0 PLC	± -														
1 PLC	± -														
2 PLC	± .01														
3 PLC	± .005														
4 PLC	± -														
ANGLES	± 1°														
MATERIAL		WEIGHT	SIZE A3	CAGE CODE 00779											
		DRAWING NO G-7-1437657-1		RESTRICTED TO											
		CUSTOMER DRAWING		SCALE 1:1											
		SHEET 1 OF 2		REV F											

4

3

2

1


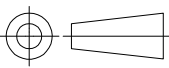
THIS DRAWING IS UNPUBLISHED. RELEASED FOR PUBLICATION
 © COPYRIGHT - BY TYCO ELECTRONICS CORPORATION. ALL RIGHTS RESERVED.

LOC	DIST	REVISIONS				
P	LTR	DESCRIPTION	DATE	DWN	APVD	
FT	0	SEE SHEET 1	-	-	-	

DIM B	DIM A	NO OF POS	CATALOG NUMBER	TE PART NO
8.312	8.822	18	8PCV-18-008	1-1546570-8
7.875	8.385	17	8PCV-17-008	1-1546570-7
7.437	7.947	16	8PCV-16-008	1-1546570-6
7.000	7.510	15	8PCV-15-008	1-1546570-5
6.562	7.072	14	8PCV-14-008	1-1546570-4
6.125	6.635	13	8PCV-13-008	1-1546570-3
5.687	6.197	12	8PCV-12-008	7-1546159-6
5.250	5.760	11	8PCV-11-008	1-1546570-1
4.812	5.322	10	8PCV-10-008	7-1546159-3
4.375	4.885	9	8PCV-09-008	3-796615-1
3.937	4.447	8	8PCV-08-008	2-796615-9
3.500	4.010	7	8PCV-07-008	3-796615-0
3.062	3.572	6	8PCV-06-008	1437658-2
2.625	3.135	5	8PCV-05-008	9-1437657-1
2.187	2.697	4	8PCV-04-008	8-1437657-1
1.750	2.260	3	8PCV-03-534	7-1437657-3
1.750	2.260	3	8PCV-03-008	7-1437657-1
1.312	1.822	2	8PCV-02-SPCL	1546156-1
1.312	1.822	2	8PCV-02-008	1-1437660-6

SEE FIGURE

SEE FIGURE

THIS DRAWING IS A CONTROLLED DOCUMENT.		DWN S SCHLEGEL 2/25/03	 Tyco Electronics Corporation Harrisburg, PA 17105-3608		
DIMENSIONS: INCHES		CHK H WAKEEM 2/25/03	NAME		
		APVD H WAKEEM 2/25/03	PRODUCT SPEC		
TOLERANCES UNLESS OTHERWISE SPECIFIED:		APPLICATION SPEC			
0 PLC ± -		SIZE			
1 PLC ± -		CAGE CODE			
2 PLC ± .01		DRAWING NO			
3 PLC ± .005		RESTRICTED TO			
4 PLC ± -		A3 00779 C-7-1437657-1			
ANGLES ± 1°		SCALE 1:1			
MATERIAL	FINISH	WEIGHT		SHEET 2 OF 2	
-	-	-		REV F	
CUSTOMER DRAWING					