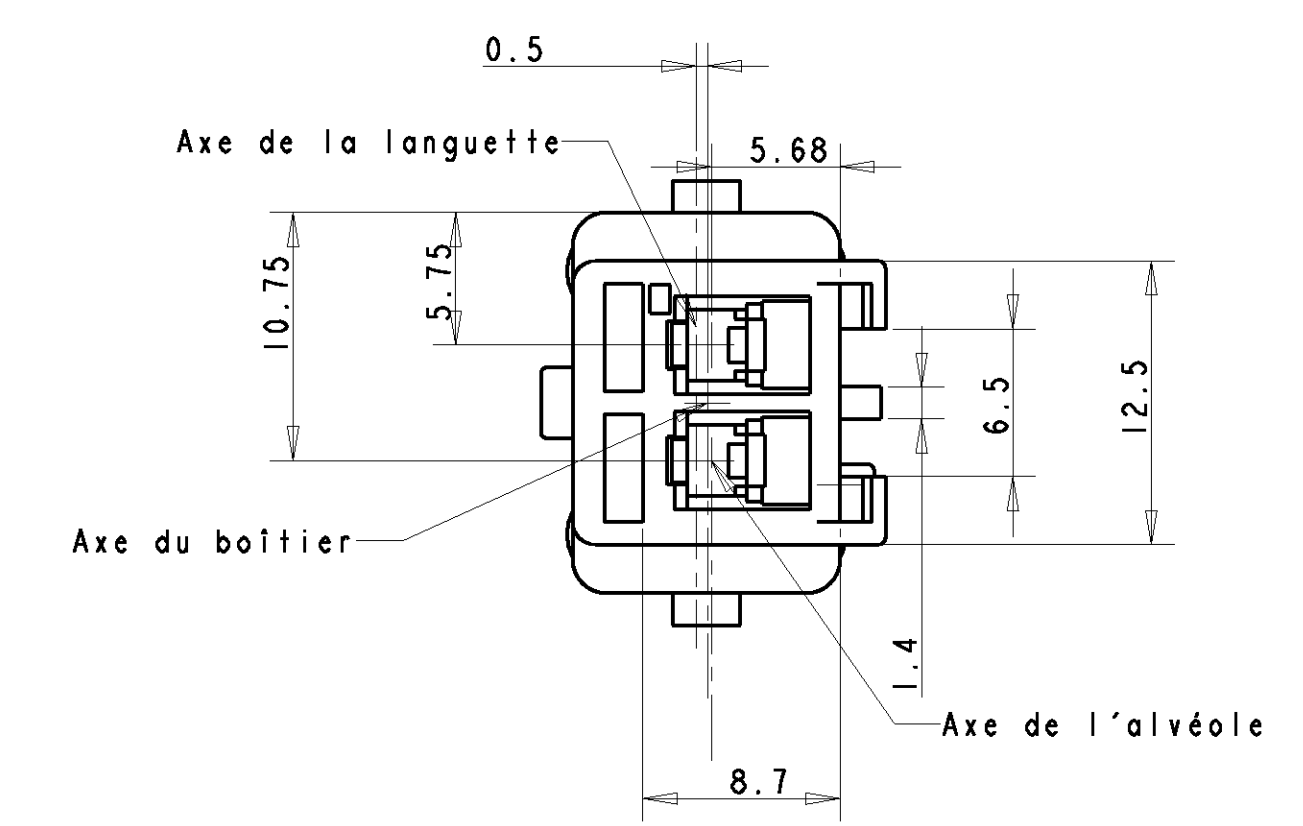
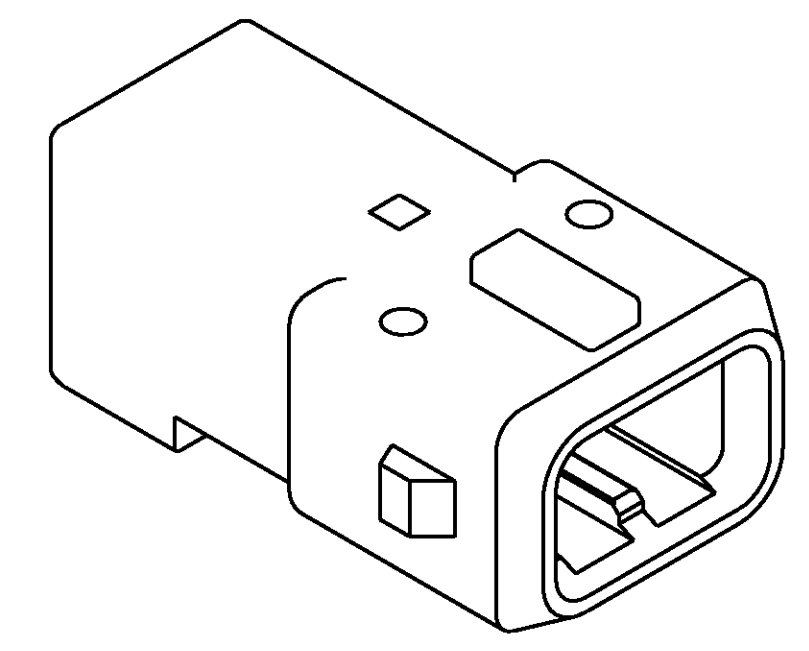
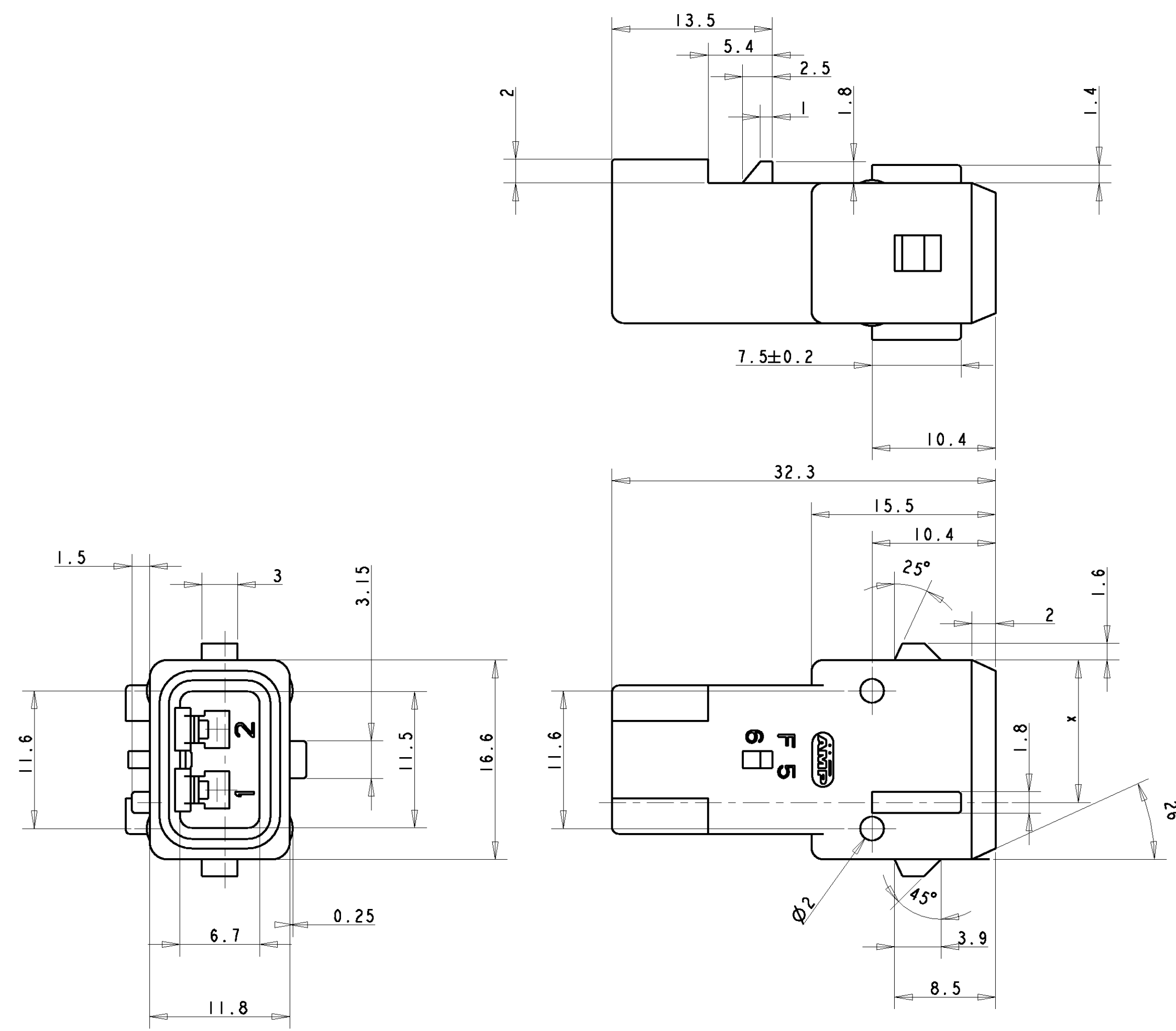


THIS DRAWING IS UNPUBLISHED. RELEASED FOR PUBLICATION 20
 © COPYRIGHT 20 BY TYCO ELECTRONICS CORPORATION. ALL RIGHTS RESERVED.

LOC		DIST		REVISIONS			
P	LTR	DESCRIPTION	DATE	DWN	APVD		
D		REDESSINE AVEC PROE	20JUN2006	RP	JPP		



DETROMPAGE		
COULEUR	" X "	REFERENCE
NOIR	AUCUN DETROMPAGE	1-144545-0
MARRON	4.8	1-144545-1
ROUGE	13.8	1-144545-2
JAUNE	3	1-144545-4
VERT	6.6	1-144545-5
GRIS	8.4	1-144545-8
BLEU	10.2	1-144545-6
BLANC	12	1-144545-9
VIOLET	AUCUN DETROMPAGE	1-144545-7

REFERENCE REPRESENTEE: 1-144545-9

<small>THIS DRAWING IS A CONTROLLED DOCUMENT FOR TYCO ELECTRONICS CORPORATION. IT IS SUBJECT TO CHANGE AND THE CONTROLLING ENGINEERING ORGANIZATION SHOULD BE CONTACTED FOR THE LATEST REVISION.</small>		DWN R PATIN 20-JUN-06	 TYCO ELECTRONICS France SAS BP 30039, 95301 CERGY-PONTOISE Cedex
DIMENSIONS: mm		CHK JP PICAUD 20-JUN-06	
		APVD J DAHER 20-JUN-06	
TOLERANCES UNLESS OTHERWISE SPECIFIED: 0 PLC ± 1 PLC ±0.3 2 PLC ± 3 PLC ± 4 PLC ± ANGLES ±5° FINISH		PRODUCT SPEC -	NAME PORTE-LANGUETTE ETANCHE 2 VOIES MIC IV
MATERIAL PA 6.6 GF20		APPLICATION SPEC -	SIZE A2
		WEIGHT -	CAGE CODE 00779
		CUSTOMER DRAWING	DRAWING NO C-144545
		SCALE 3:1	RESTRICTED TO -
		SHEET 1	REV D