

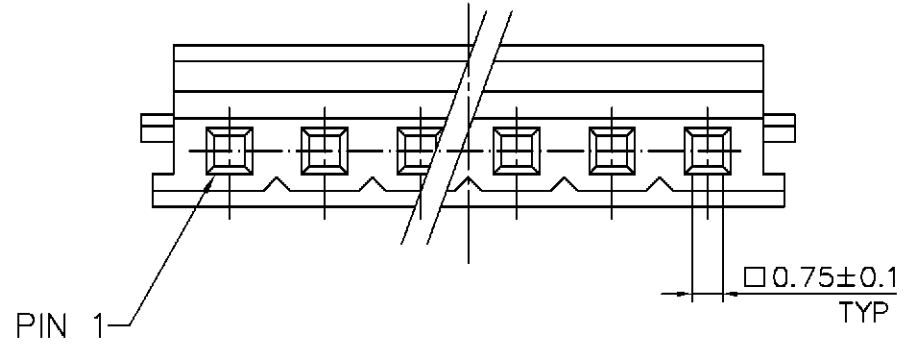
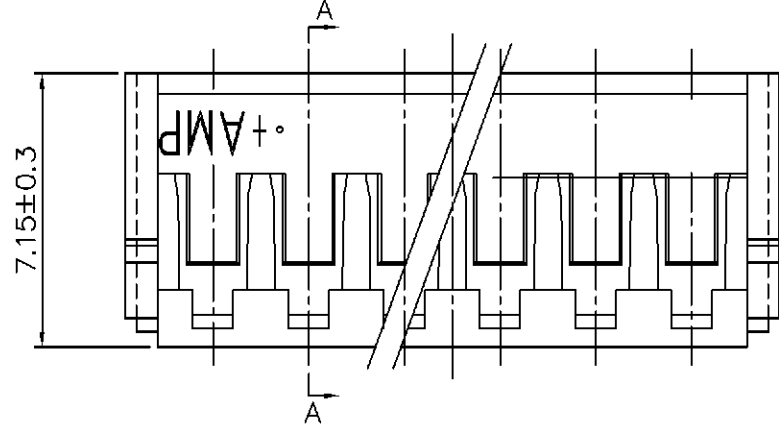
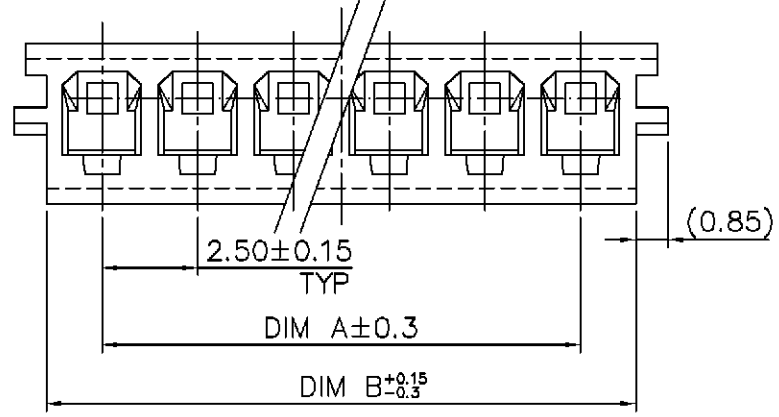
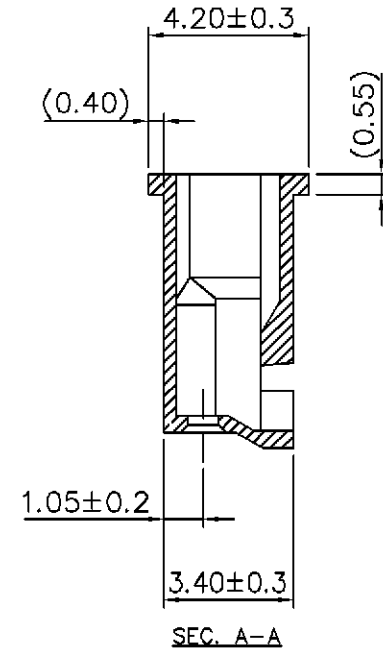
NUMBER
C-440133

METRIC

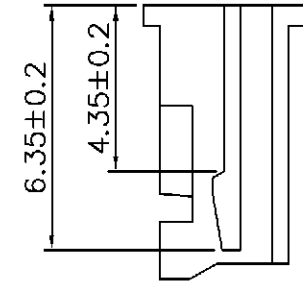
3RD ANGLE PROJECTION

THIS INFORMATION IS CONFIDENTIAL AND IS DISCLOSED TO YOU ON CONDITION THAT NO FURTHER DISCLOSURE IS MADE BY YOU TO OTHER THAN AMP PERSONNEL WITHOUT WRITTEN AUTHORIZATION FROM AMP (TAIWAN) LTD. DIMENSIONS IN MILLIMETERS. DO NOT SCALE PRINT.

PRINT DIST
DW



NOTE:
MATERIAL: NYLON 66 UL 94V-0, COLOR: SEE TABLE.



HSG. COLOR	DIM B	DIM A	CIRCUITS	PART NO.
YELLOW	37.9	35.00	15P	3-440133-5
	35.4	32.50	14P	3-440133-4
	32.9	30.00	13P	3-440133-3
	30.4	27.50	12P	3-440133-2
	27.9	25.00	11P	3-440133-1
	25.4	22.50	10P	3-440133-0
	22.9	20.00	9P	2-440133-9
	20.4	17.50	8P	2-440133-8
	17.9	15.00	7P	2-440133-7
	15.4	12.50	6P	2-440133-6
	12.9	10.00	5P	2-440133-5
	10.4	7.50	4P	2-440133-4
NATURAL	7.9	5.00	3P	2-440133-3
	5.4	2.50	2P	2-440133-2
	37.9	35.00	15P	1-440133-5
	35.4	32.50	14P	1-440133-4
	32.9	30.00	13P	1-440133-3
	30.4	27.50	12P	1-440133-2
	27.9	25.00	11P	1-440133-1
	25.4	22.50	10P	1-440133-0
	22.9	20.00	9P	440133-9
	20.4	17.50	8P	440133-8
	17.9	15.00	7P	440133-7
	15.4	12.50	6P	440133-6
12.9	10.00	5P	440133-5	
10.4	7.50	4P	440133-4	
7.9	5.00	3P	440133-3	
5.4	2.50	2P	440133-2	

TOLERANCES UNLESS OTHERWISE SPECIFIED: 0 PLC ± 1 PLC ± 2 PLC ± 3 PLC ± ANGLES ±	DWN O. HU 25-OCT-2002	 TYCO HOLDINGS (BERMUDA) VII LTD. TAIWAN BRANCH NAME
MATERIAL SEE NOTE	CHK J. CHENG 25-OCT-2002	
FINISH SEE NOTE	APVD J. WU 25-OCT-2002	2.5 MM PITCH HPI CRIMP HOUSING LOC DW SIZE A ₃ DRAWING NO C-440133 REV B SCALE -- SHEET 1 OF 2
	PRODUCT SPEC 108-57099	
	APPLICATION SPEC 114-57004	
	WEIGHT	

B	ADD PART NUMBERS	FZ00-0228-02	OH JC	25OCT 2002
A	REVISED	FZ00-0166-02	OH JC	26JUL 2002
LTR	REVISION RECORD	ECN	DWN CHK	DATE

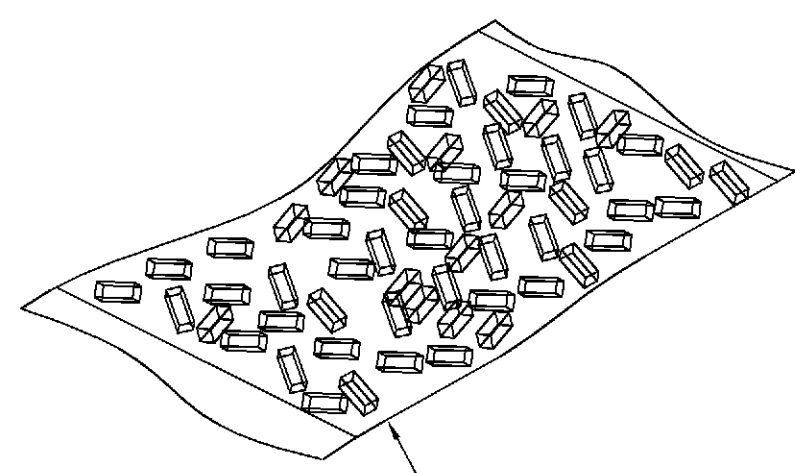
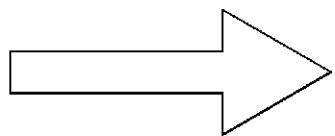
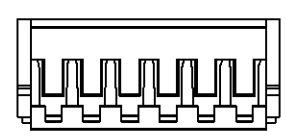
PRINT DIST DW

THIS INFORMATION IS CONFIDENTIAL AND IS DISCLOSED TO YOU ON CONDITION THAT NO FURTHER DISCLOSURE IS MADE BY YOU TO OTHER THAN AMP PERSONNEL WITHOUT WRITTEN AUTHORIZATION FROM AMP (TAIWAN) LTD. DIMENSIONS IN MILLIMETERS. DO NOT SCALE PRINT.

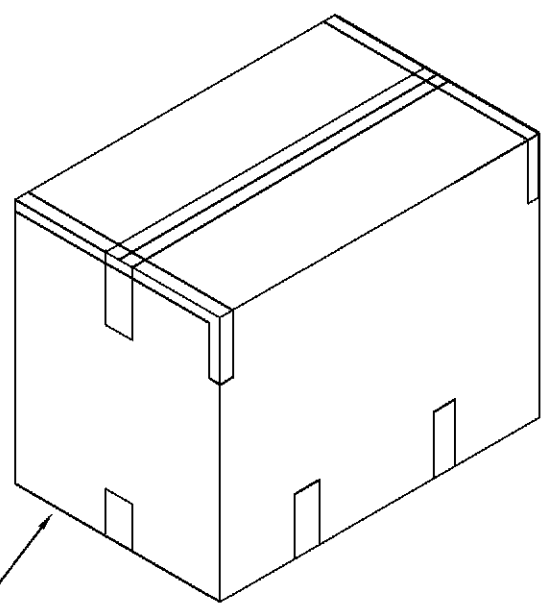
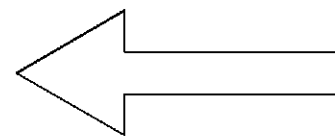
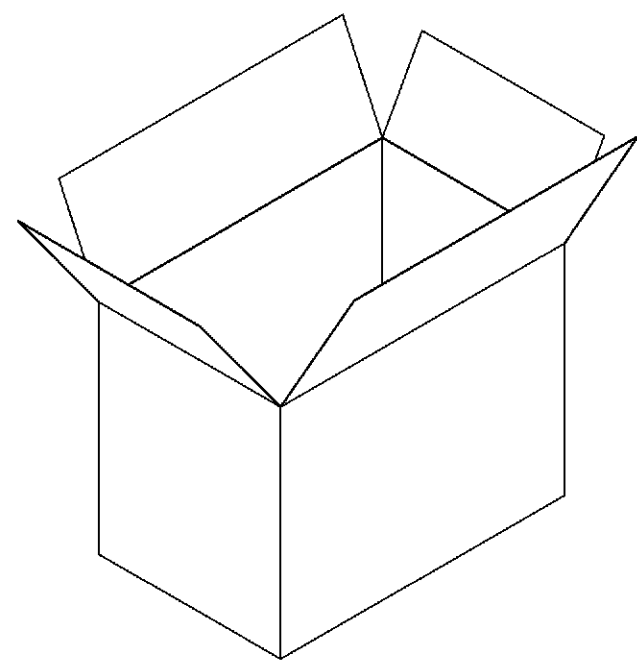
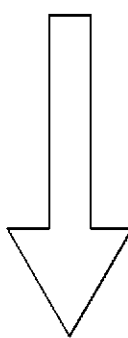
3RD ANGLE PROJECTION

METRIC

NUMBER C-440133



POLY BAG
127mm(L)X 203mm(W)X 0.07mm(H)



CARTON
320mm(L)X 220mm(W)X 155mm(H)
(FOR HEADER 2P~7P ONLY)
340mm(L)X 470mm(W)X 365mm(H)
(FOR HEADER 8P~15P ONLY)

15,000	1,000	15P	3-440133-5	1-440133-5
20,000	1,000	14P	3-440133-4	1-440133-4
20,000	1,000	13P	3-440133-3	1-440133-3
25,000	1,000	12P	3-440133-2	1-440133-2
25,000	1,000	11P	3-440133-1	1-440133-1
30,000	1,000	10P	3-440133-0	1-440133-0
35,000	1,000	9P	2-440133-9	440133-9
40,000	1,000	8P	2-440133-8	440133-8
8,000	1,000	7P	2-440133-7	440133-7
10,000	1,000	6P	2-440133-6	440133-6
12,000	1,000	5P	2-440133-5	440133-5
15,000	1,000	4P	2-440133-4	440133-4
20,000	1,000	3P	2-440133-3	440133-3
25,000	1,000	2P	2-440133-2	440133-2
APQ (PCS/CARTON)	PPQ (PCS/BAG)	CIRCUITS	YELLOW	NATURAL
			HOUSING COLOR	
PART NUMBER				

TOLERANCES UNLESS OTHERWISE SPECIFIED: 0 PLC ± 1 PLC ± 2 PLC ± 3 PLC ± ANGLES ±	DWN O. HU 25-OCT-2002	TYCO HOLDINGS (BERMUDA) VII LTD. TAIWAN BRANCH		
MATERIAL SEE SHEET 1.	CHK J. CHENG 25-OCT-2002	NAME		
FINISH SEE SHEET 1.	APVD J. WU 25-OCT-2002	2.5 MM PITCH HPI CRIMP HOUSING		
	PRODUCT SPEC	LOC DW	SIZE A ₃	DRAWING NO C-440133
	APPLICATION SPEC	SCALE	REV B	
	WEIGHT	SHEET		2 OF 2

SEE SHEET 1.	ECN	DWN	CHK	DATE
LTR	REVISION RECORD			