

4

3

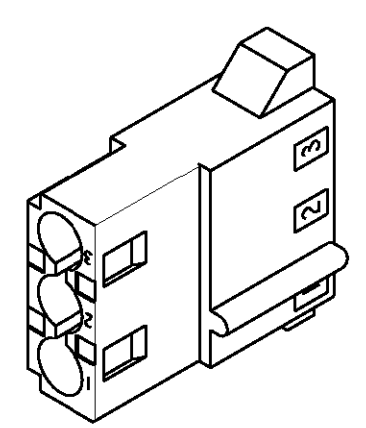
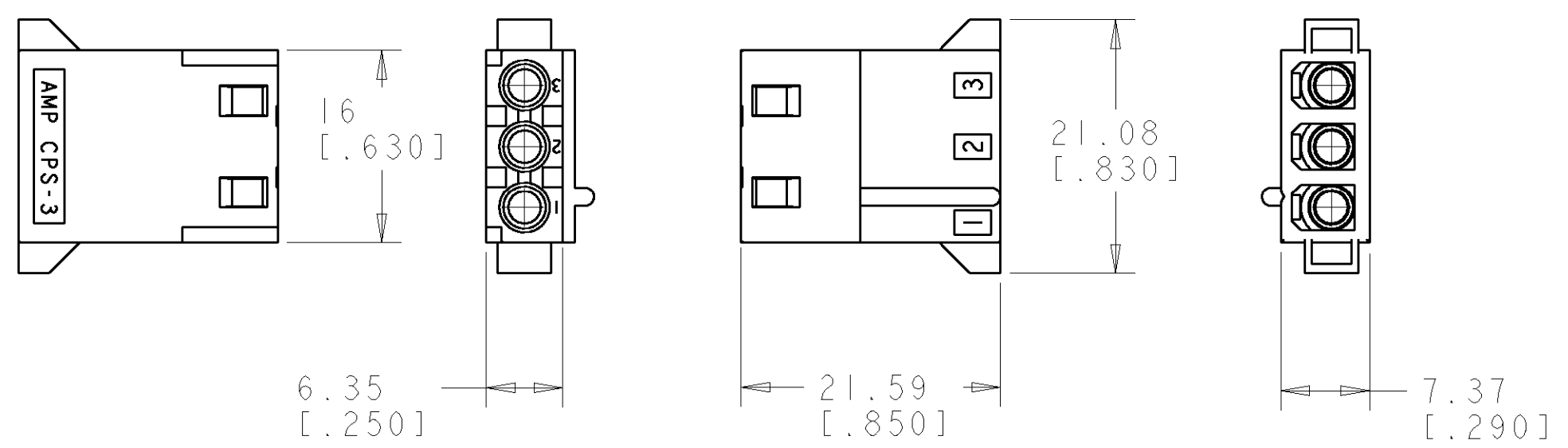
2

1

THIS DRAWING IS UNPUBLISHED. RELEASED FOR PUBLICATION 20
 © COPYRIGHT 20 BY TYCO ELECTRONICS CORPORATION. ALL RIGHTS RESERVED.

LOC	DIST	REVISIONS					
		P	LTR	DESCRIPTION	DATE	DWN	APVD
CM	00		T	REVISED PER 0G3B-0692-01	23-APR-02	KW	DC

1. THIS PLUG TO BE USED WITH CAP 480305.
2. TO BE USED WITH APPROPRIATE COMMERCIAL MATE-N-LOK™ SOCKETS.



NYLON	BLACK	1-480303-9
NYLON	RED	1-480303-2
NYLON	NATURAL	1-480303-0
MATERIAL	COLOR	PART NO

METRIC

THIS DRAWING IS A CONTROLLED DOCUMENT FOR TYCO ELECTRONICS CORPORATION. IT IS SUBJECT TO CHANGE AND THE CONTROLLING ENGINEERING ORGANIZATION SHOULD BE CONTACTED FOR THE LATEST REVISION.

DIMENSIONS: mm [INCHES]	TOLERANCES UNLESS OTHERWISE SPECIFIED:	DWN K. WHITAKER 23APR2002	Tyco Electronics Harrisburg, PA 17105-3608
	0 PLC ± 1 PLC ± 2 PLC ±0.13 [.005] 3 PLC ± 4 PLC ± ANGLES ±0° 30' FINISH -	CHK D. COLEY 23APR2002 APVD D. COLEY 23APR2002	
MATERIAL SEE TABLE		PRODUCT SPEC -	NAME -
		APPLICATION SPEC -	3 CIRCUIT MATE-N-LOK™ PLUG
		WEIGHT -	SIZE A3
		CUSTOMER DRAWING	CAGE CODE 00779
			DRAWING NO C-480303
			RESTRICTED TO -
			SCALE 2:1
			SHEET 1
			OF 1
			REV T