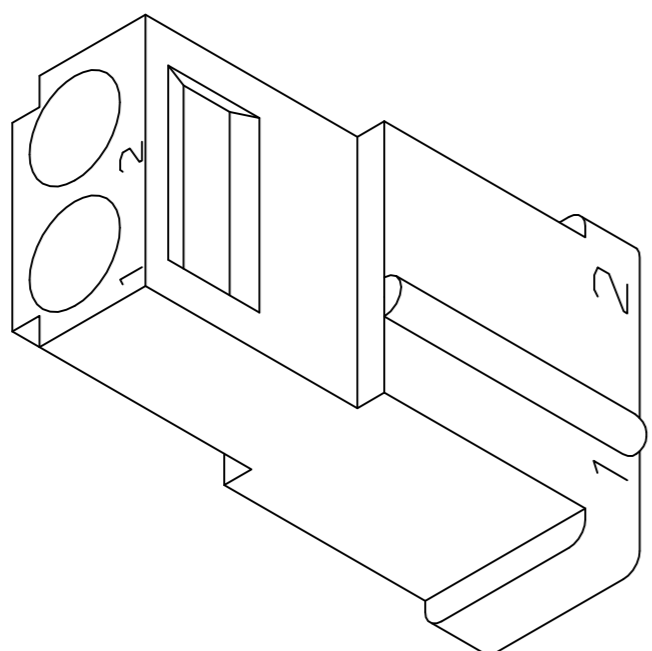
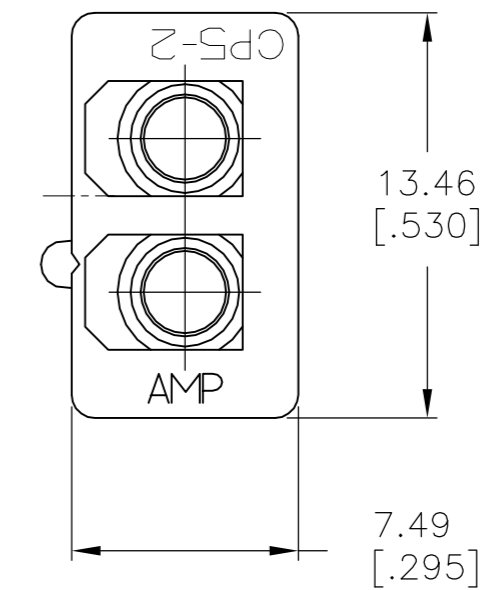
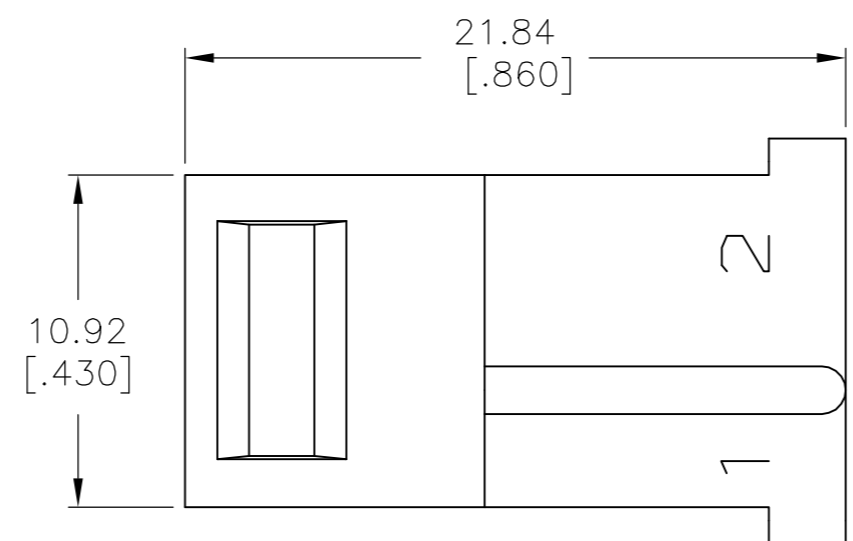
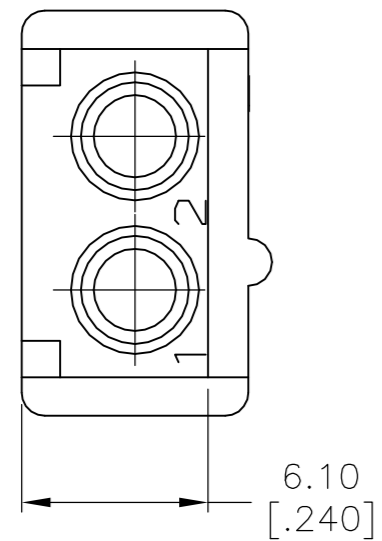


THIS DRAWING IS UNPUBLISHED. RELEASED FOR PUBLICATION
 © COPYRIGHT BY TYCO ELECTRONICS CORPORATION. ALL INTERNATIONAL RIGHTS RESERVED.

LOC		DIST		REVISIONS			
P	LTR	DESCRIPTION		DATE	DWN	APVD	
CM	0	S		REVISED PER ECO-09-012281	22MAY09	HMR MS	

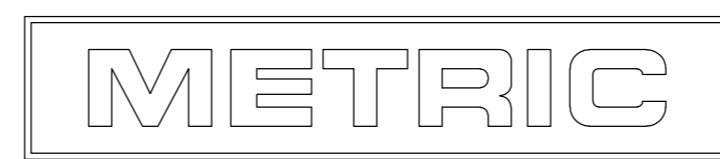
- 1 THIS PLUG TO BE USED WITH CAP NO. 480319.
- 2 TO BE USED WITH APPROPRIATE COMMERCIAL MATE-N-LOK™ SOCKETS.
- 3 DIMENSIONS IN BRACKETS ARE IN INCHES.



3-DIMENSIONAL MODELS
NTS

NATURAL UL94V-0	2-480318-0
BLACK UL94V-2	1-480318-9
YELLOW UL94V-2	1-480318-4
NATURAL UL94V-2	1-480318-0
COLOR	PART NUMBER

THIS DRAWING IS A CONTROLLED DOCUMENT.		DWN K. WHITAKER 04NOV2005	Tyco Electronics Corporation Harrisburg, PA 17105-3608	
DIMENSIONS: mm [INCHES]		CHK D. COLEY 04NOV2005	NAME PLUG, 2 CIRCUIT, COMMERCIAL MATE-N-LOK (TM)	
TOLERANCES UNLESS OTHERWISE SPECIFIED:		APVD D. COLEY 04NOV2005	SIZE A2	CAGE CODE 00779
0 PLC ± -	1 PLC ± -	PRODUCT SPEC	DRAWING NO C=480318	RESTRICTED TO -
2 PLC ± 0.13[.005]	3 PLC ± -	APPLICATION SPEC	SCALE 4:1	SHEET 1 of 1
4 PLC ± -	ANGLES ± -	WEIGHT -	CUSTOMER DRAWING	REV S
MATERIAL -	FINISH -			



480318