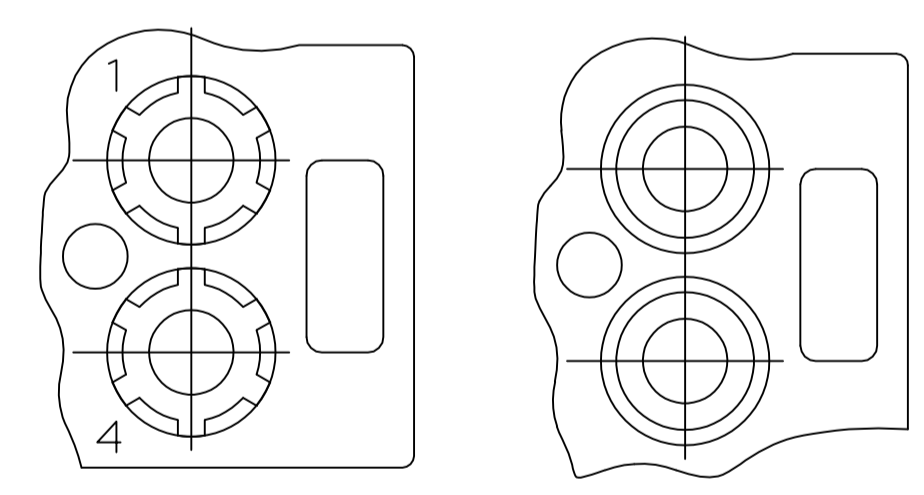
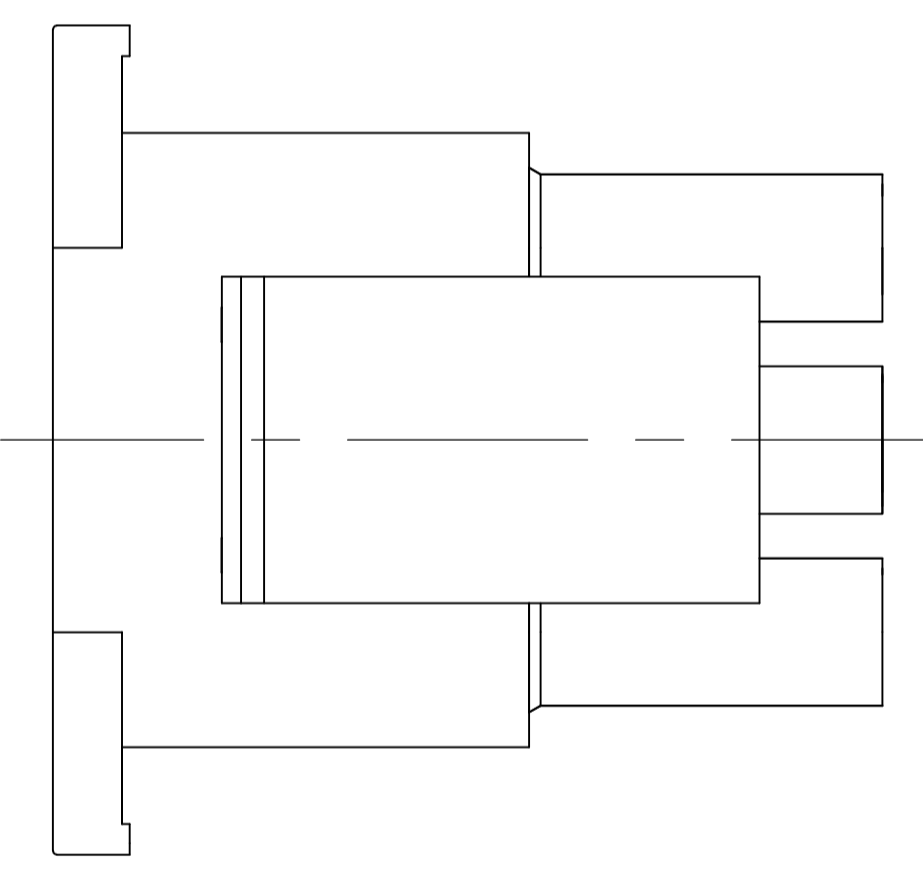
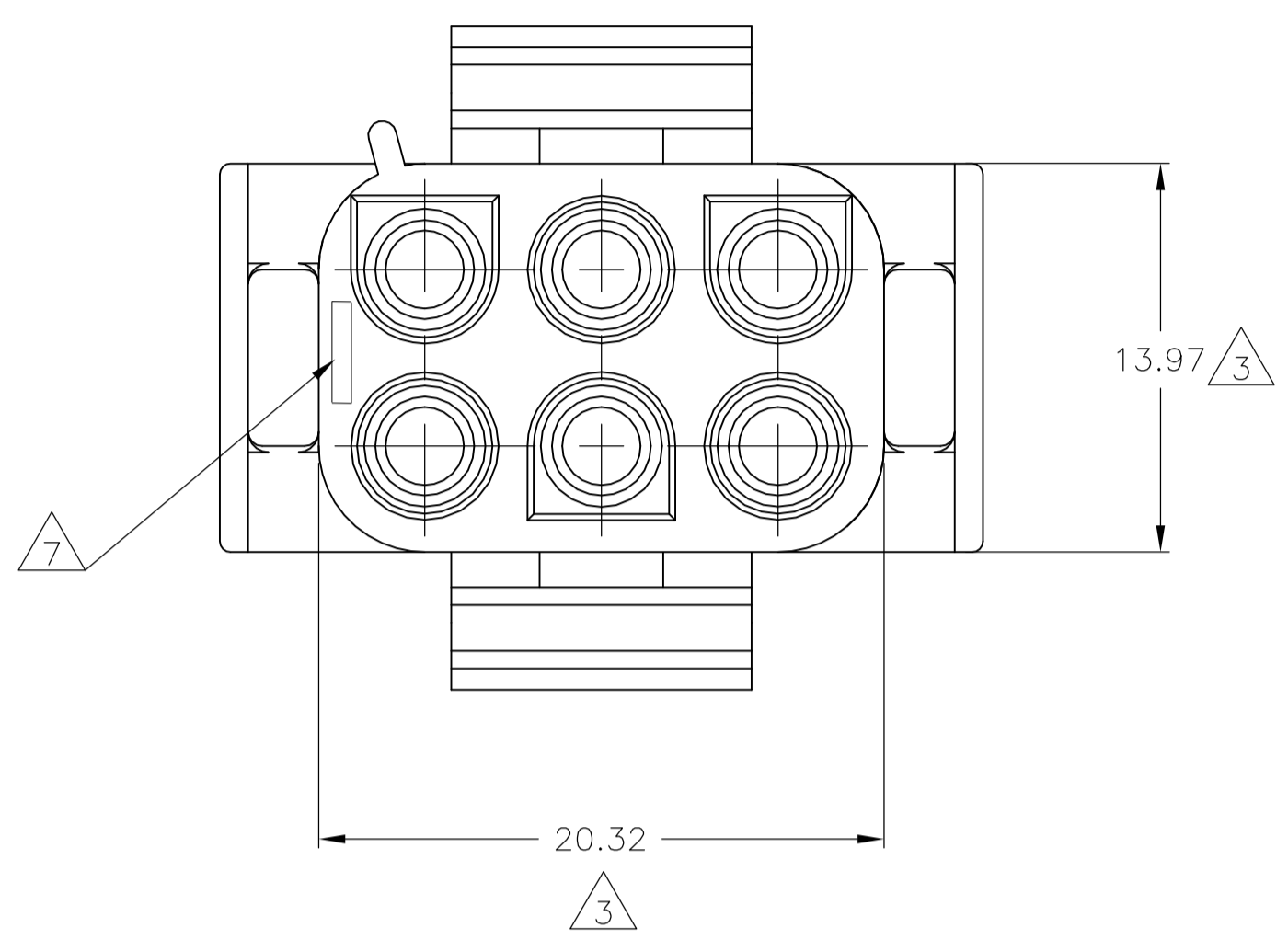
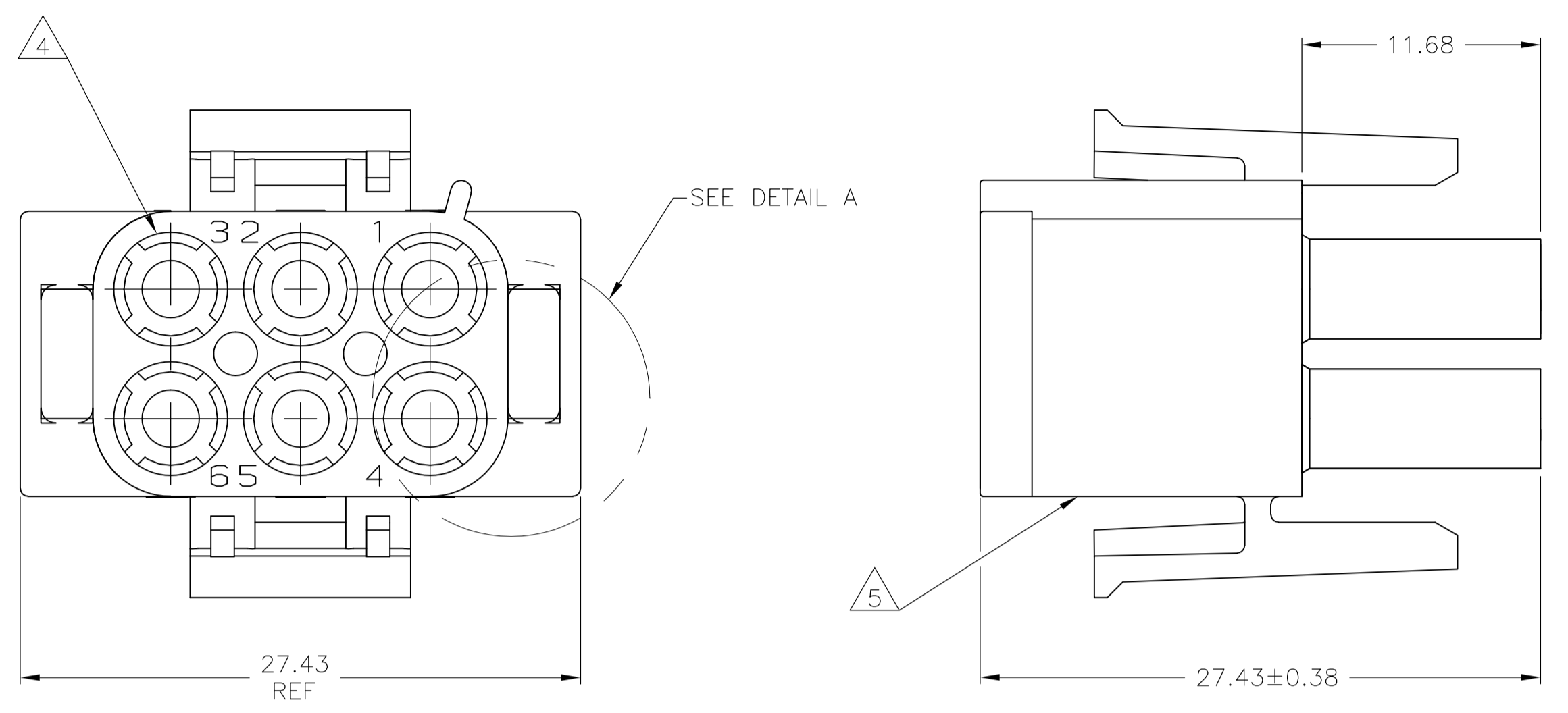


LOC		DIST		REVISIONS			
CM	00	REV	DESCRIPTION	DATE	BY	CHK	APPV
		AP	ECO-06-013891	01SEP06	BSV	GSR	
		AP1	REVISED PER BY ECO-09-021826	07SEP09	KK	AEG	

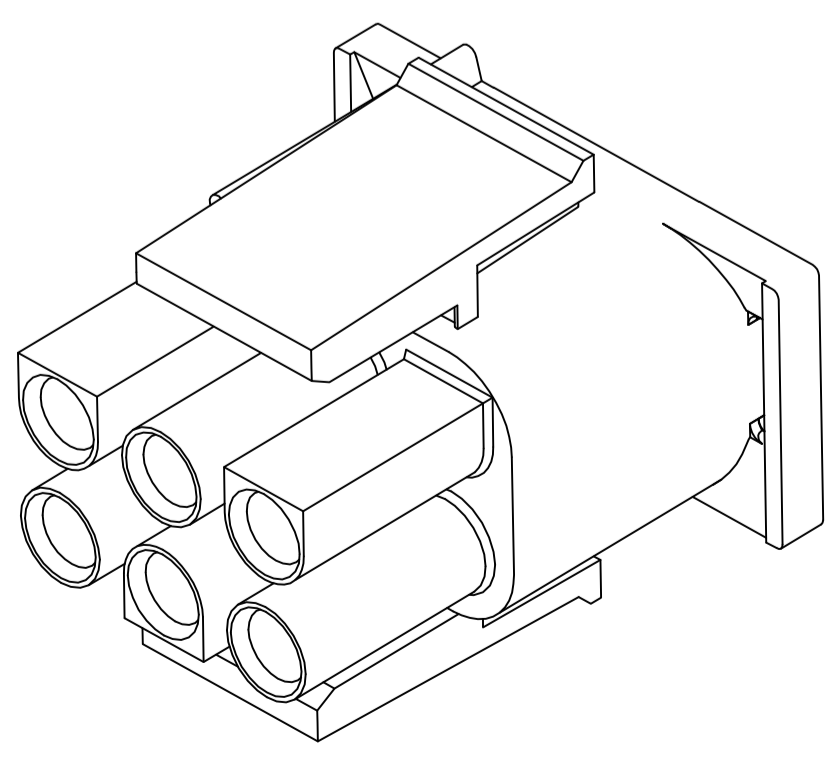


DETAIL A
 OPTIONAL CONSTRUCTIONS

- MATES WITH APPROPRIATE UNIVERSAL MATE-N-LOK™ CAP OR HEADER.
- SMALL NICKS ARE PERMITTED ON THE CIRCUIT TOWERS WHICH COULD INCREASE THE INITIAL HOUSING MATING FORCE BY UP TO 4.4 NEWTONS [1.0 LBS]. NO INDIVIDUAL NICKED TOWER SHALL INCREASE THIS FORCE BY OVER 2.2 NEWTONS [.5 LBS].
- DIMENSION INDICATED IS AS MOLDED. ADDITIONAL GROWTH DUE TO SUBSEQUENT MOISTURE ABSORPTION MAY OCCUR.
- FOUR RIBS EQUALLY SPACED, NO SPECIFIC ORIENTATION. NO RIBS OR SIX RIBS EQUALLY SPACED, NO SPECIFIC ORIENTATION, OPTIONAL.
- UNDERWRITERS RECOGNIZED COMPONENT LOGO AND CSA CERTIFICATION LOGO TO BE LOCATED ONCE EACH ON SIDE OF HOUSING.
- MANUFACTURING LOCATION ID ON SIDE OF HOUSING (OPTIONAL).
- TRADEMARK LOCATION (AMP OR TYCO).
- OBSOLETE PARTS: OBSOLETE CIS STREAMLINING PER D.RENAUD/D.SINISI

MM	IN
27.43	1.080
20.32	.800
13.97	.550
11.68	.460
0.38	.015
0.13	.005

CONVERSION TABLE



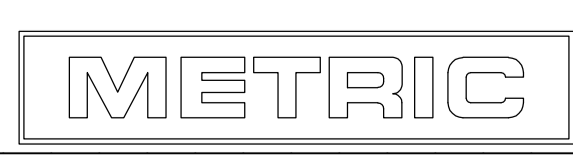
3-DIMENSIONAL MODEL NTS

OB	DESCRIPTION	PART NUMBER	
	BLACK	1-480704-9	
	GRAY	1-480704-8	
8	SUPERSEDED BY 1-480704-0	BLUE	1-480704-6
	GREEN	1-480704-5	
	YELLOW	1-480704-4	
8	OBSOLETE	ORANGE	1-480704-3
	RED	1-480704-2	
	BROWN	1-480704-1	
	NATURAL	1-480704-0	
	COLOR	PART NUMBER	

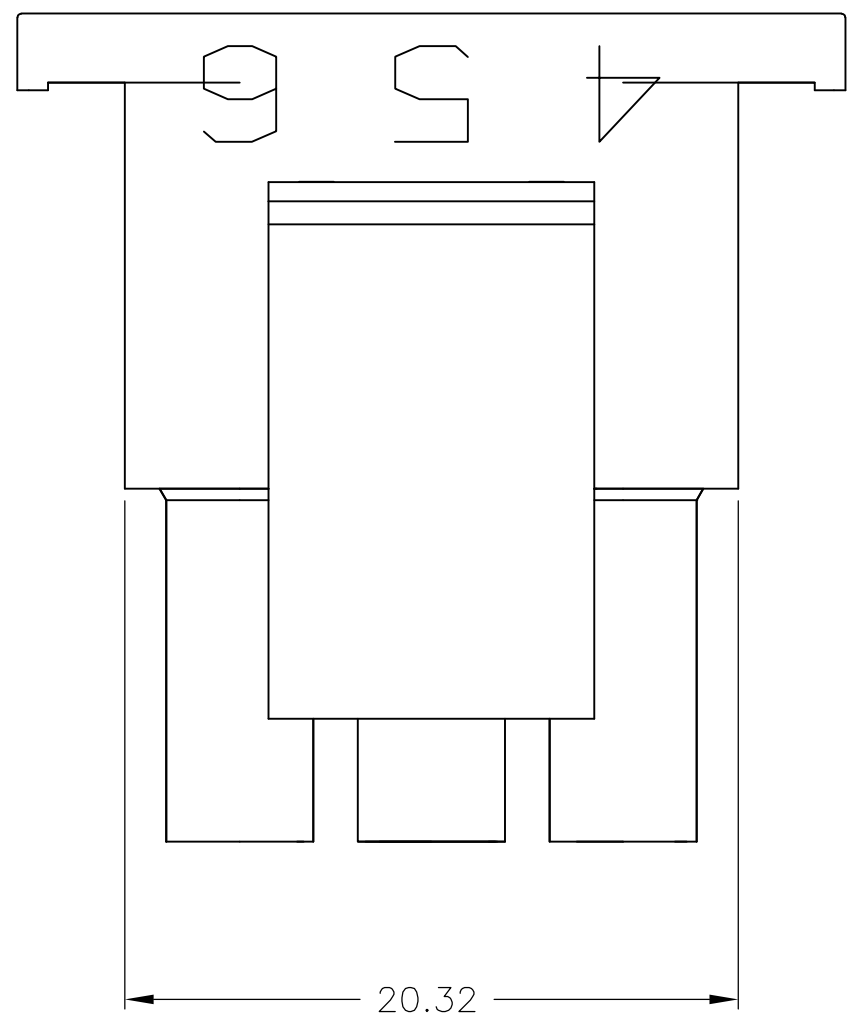
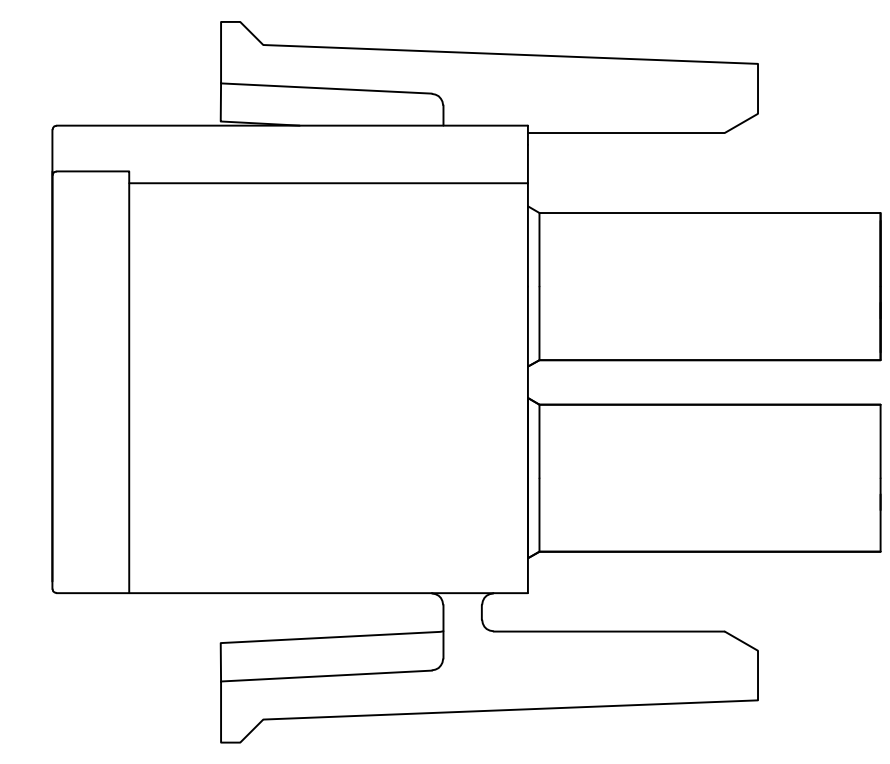
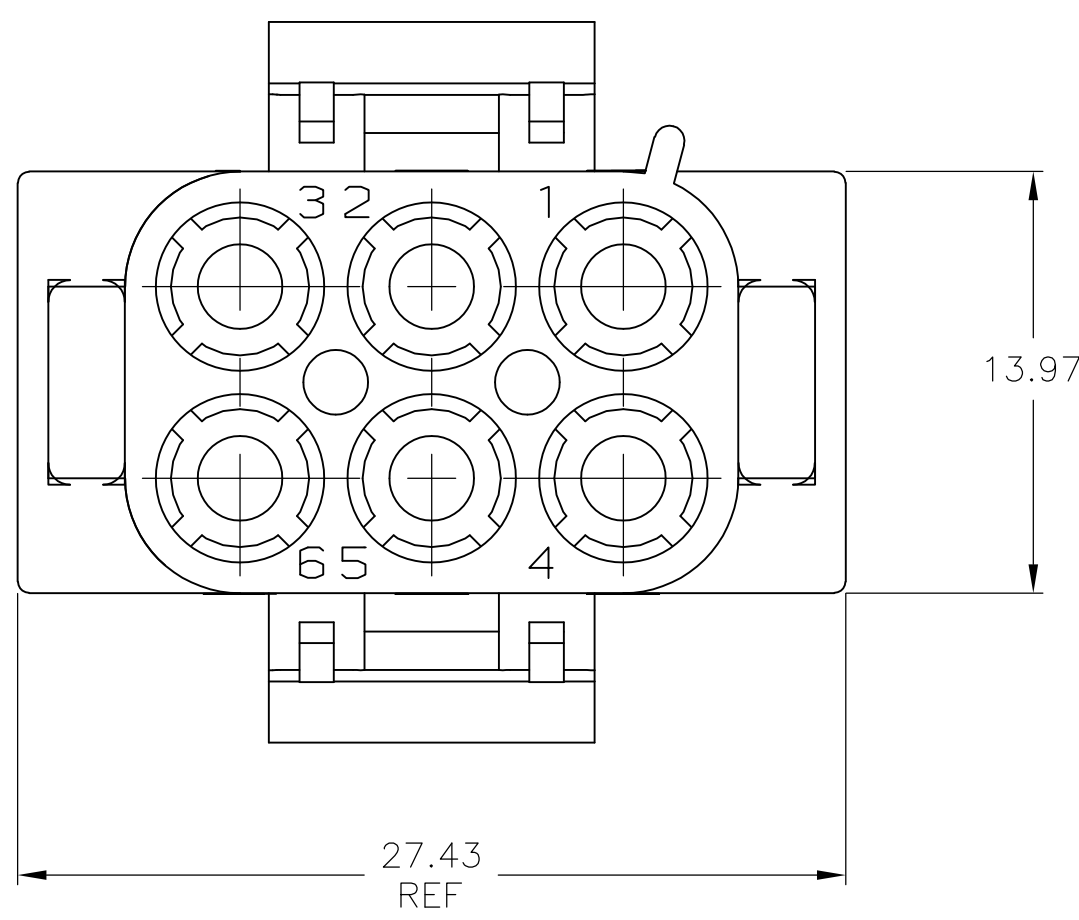
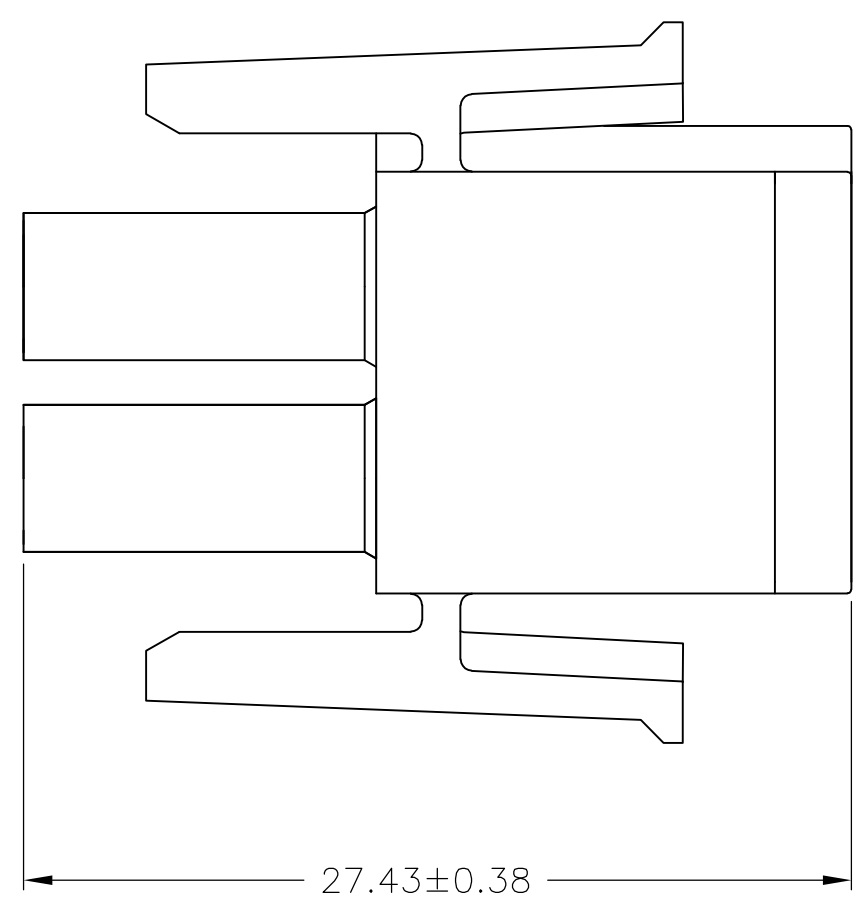
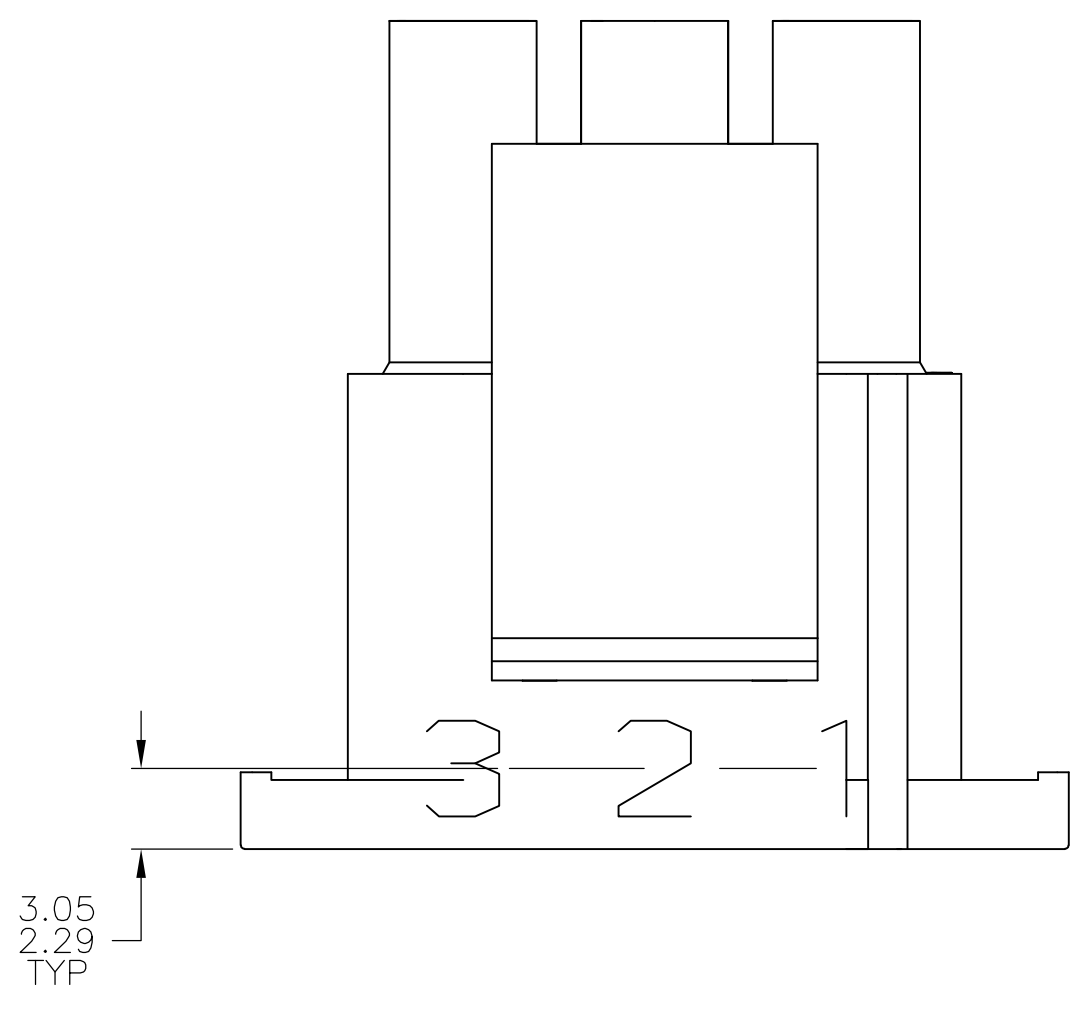
THIS DRAWING IS A CONTROLLED DOCUMENT.

DIMENSIONS: mm	TOLERANCES UNLESS OTHERWISE SPECIFIED:	DIN K. WHITAKER 23MAR05	CHK S. RIDGILL 23MAR05	APVD S. RIDGILL 23MAR05	NAME	Tyco Electronics Corporation Harrisburg, PA 17105-3608											
0 PLC ± -	1 PLC ± -	2 PLC ± 0.13	3 PLC ± -	4 PLC ± -	ANGLES ± 0°30'	MATERIAL NYLON,UL 94V-2	FINISH -	WEIGHT -	SIZE A1	SCALE 4:1	SHEET 1 OF 2	RESTRICTED TO					
MATERIAL NYLON,UL 94V-2			FINISH -			WEIGHT -			SIZE A1			SCALE 4:1		SHEET 1 OF 2		RESTRICTED TO	

CUSTOMER DRAWING



1. STAMP NUMBERS 3.18 HIGH AT WIRE END OF HOUSING (12 POINT DAVID TYPE).
2. CHARACTERS TO BE POSITIONED ON HOUSING TO BE READ FROM WIRE END ONLY.
3. VIOLET, BLACK, BROWN, AND BLUE COLORED BLOCKS TO BE STAMPED WITH WHITE CHARACTERS. ALL OTHER COLORED BLOCKS TO BE STAMPED WITH BLACK CHARACTERS.



3.05	.120	27.43	1.080
2.29	.090	20.32	.800
0.38	.015	13.97	.550
0.13	.005	3.18	.125
MM	IN	MM	IN

CONVERSION TABLE

NATURAL	2-480704-0
COLOR	PART NUMBER

METRIC

THIS DRAWING IS A CONTROLLED DOCUMENT.

DW	K. WHITAKER	23MAR05		Tyco Electronics Corporation	
CHK	S. RIDGILL	23MAR05		Harrisburg, PA 17105-3608	
APP'D	S. RIDGILL	23MAR05		NAME	
PRODUCT SPEC				PLUG, 6 CIRCUIT, UNIVERSAL MATE-N-LOK(TM)	
APPLICATION SPEC			SIZE	CAGE CODE	DRAWING NO
MATERIAL			A1	00779	480704
FINISH			CUSTOMER DRAWING		RESTRICTED TO
			SCALE	4:1	SHEET 2 OF 2
			REV AP1		