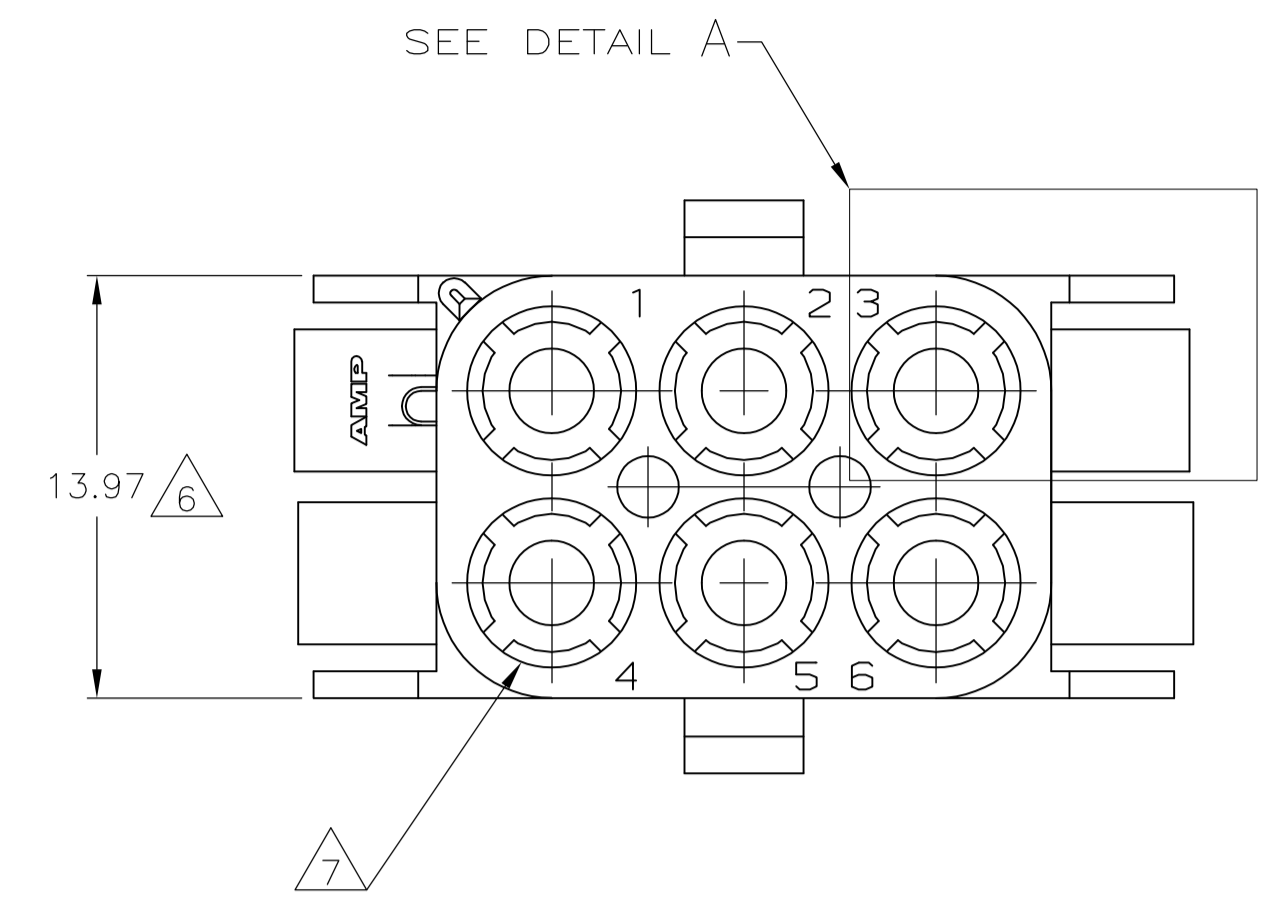
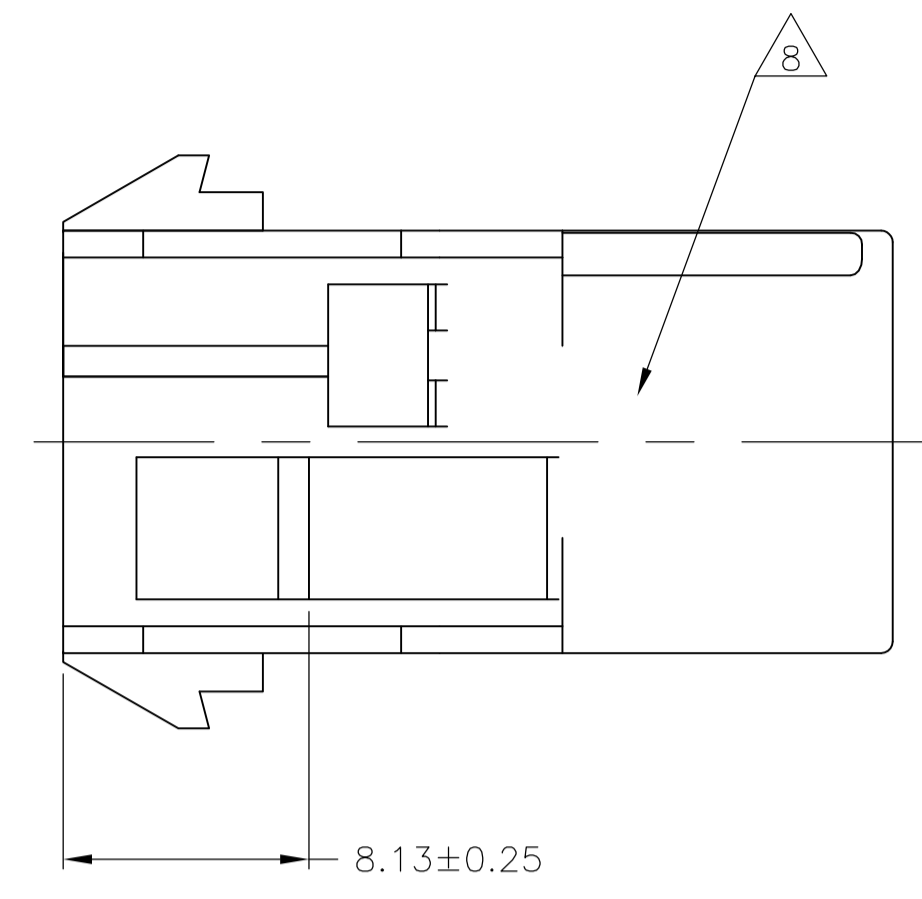
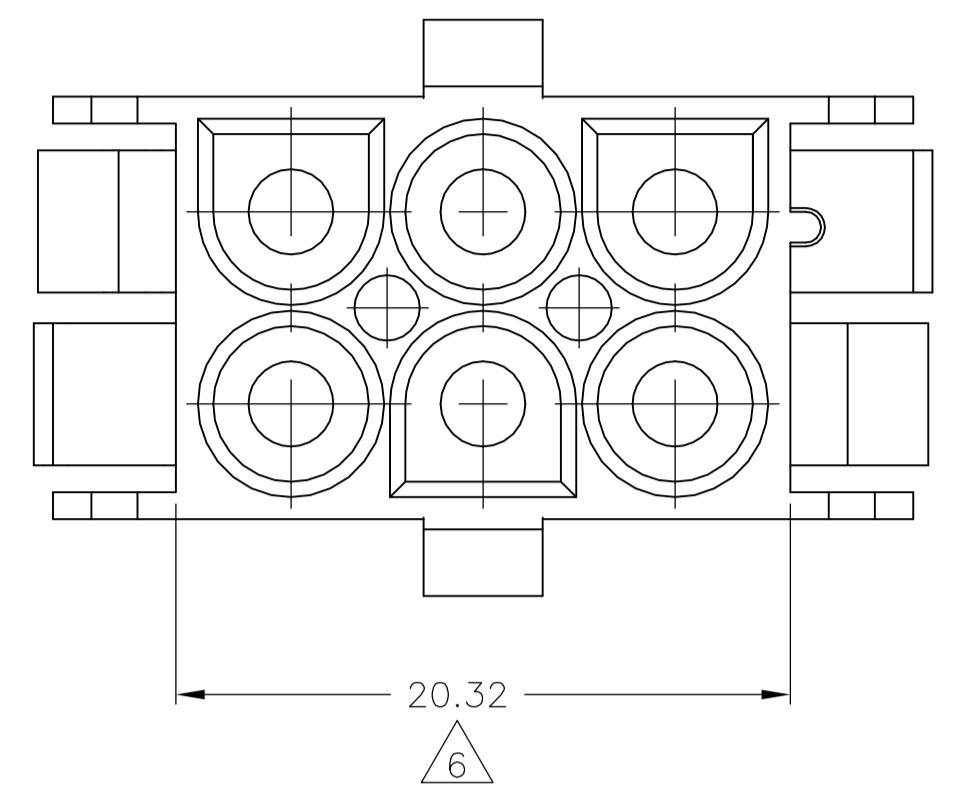
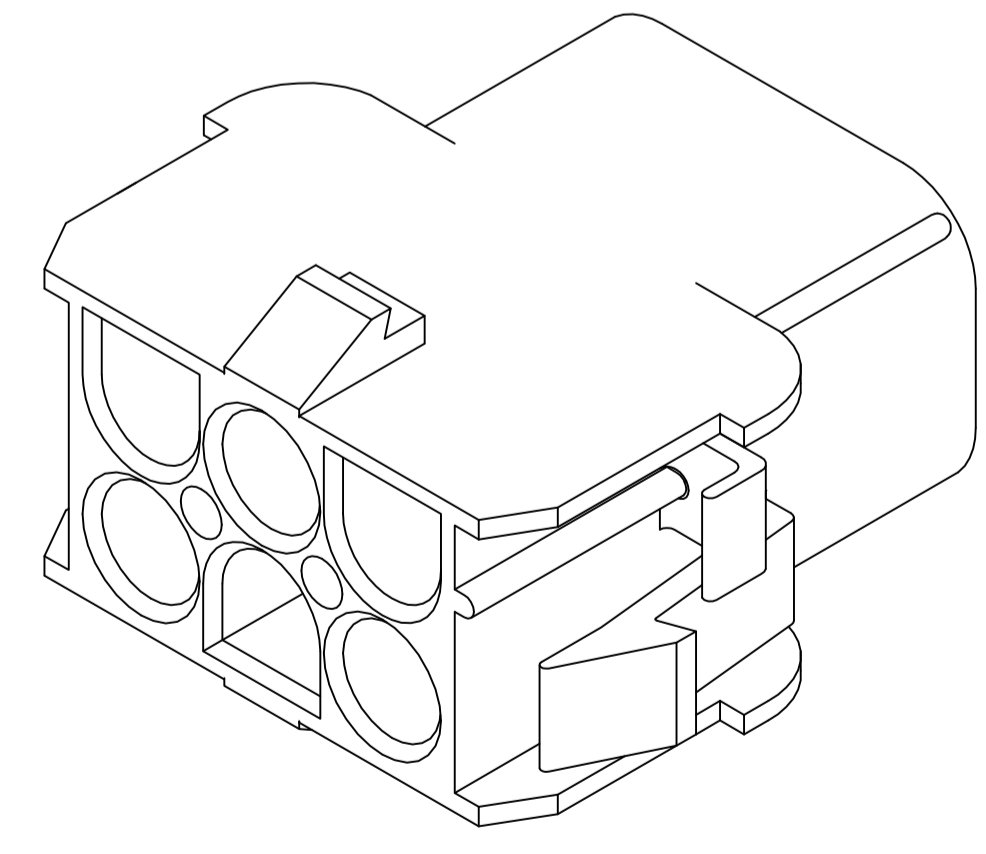
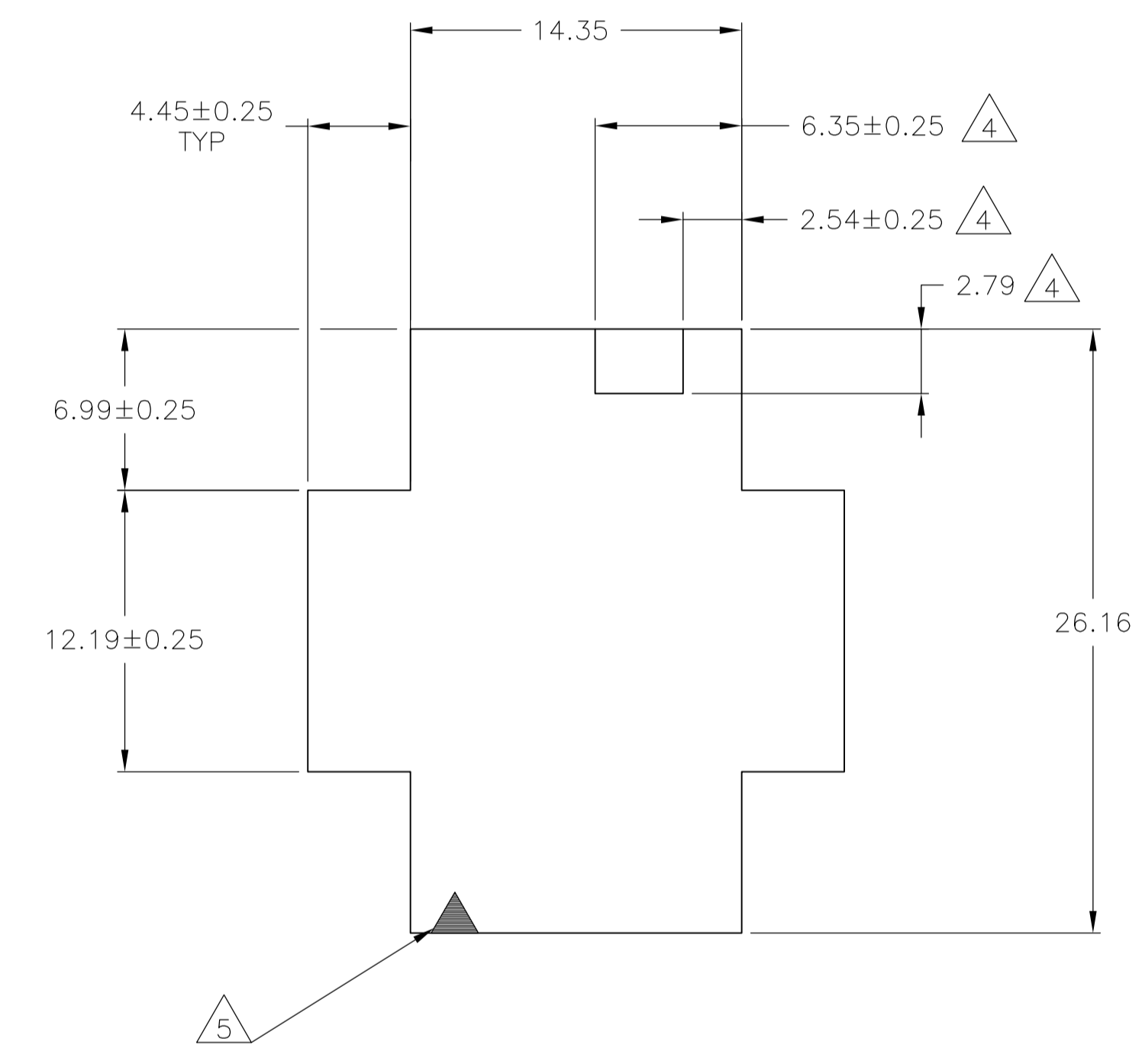
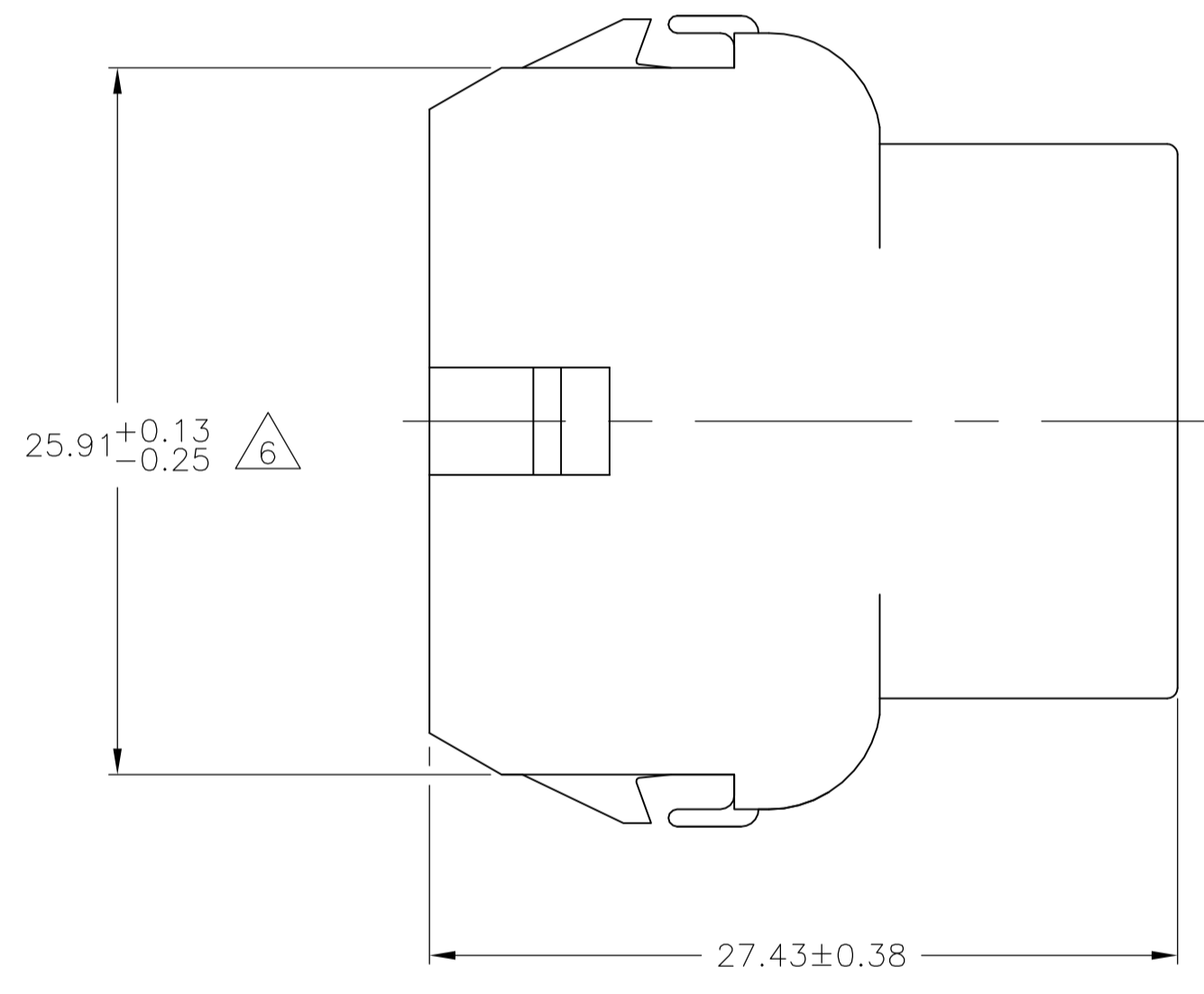
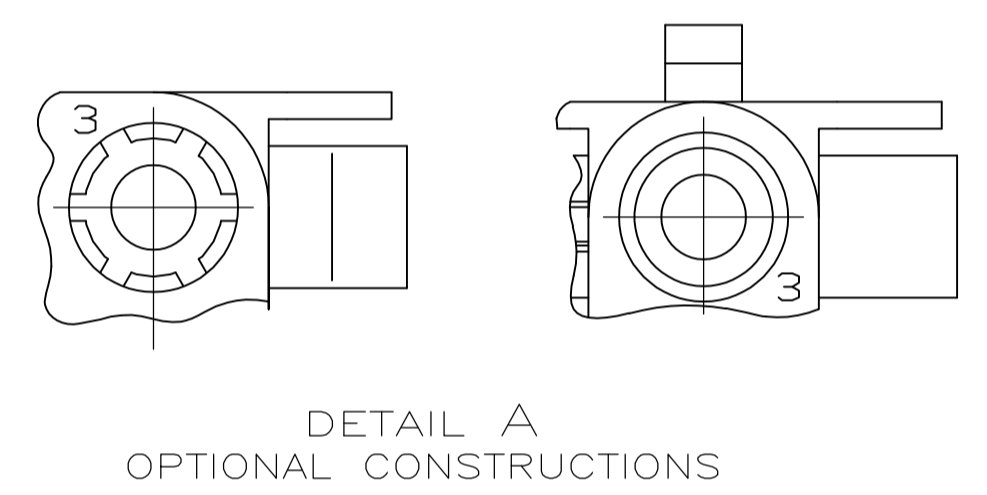


LOC	DIST	REVISIONS			
CM	00	REV	DESCRIPTION	DATE	BY
		AP	REVISED PER ECO-09-009128	15APR09	HMR MS
		AP1	REVISED PER ECO-09-021826	07SEP09	KK AEG



- 1 MATES WITH APPROPRIATE UNIVERSAL MATE-N-LOK™ PLUG.
- 2 RECOMMENDED PANEL THICKNESS 0.76 - 2.29.
- 3 PANEL MUST BE PUNCHED SO THAT THE HOUSING ENTERS THE PANEL IN THE SAME DIRECTION AS THE PUNCH.
- 4 OPTIONAL FOR KEYING HOUSING IN PANEL.
- 5 CIRCUIT NUMBER 1 LOCATION.
- 6 DIMENSION INDICATED IS AS MOLDED. ADDITIONAL GROWTH DUE TO SUBSEQUENT MOISTURE ABSORPTION MAY OCCUR.
- 7 FOUR RIBS EQUALLY SPACED, NO SPECIFIC ORIENTATION. NO RIBS OR SIX RIBS EQUALLY SPACED, NO SPECIFIC ORIENTATION, OPTIONAL.
- 8 UNDERWRITERS RECOGNIZED COMPONENT LOGO AND CSA CERTIFICATION LOGO TO BE LOCATED ONCE EACH ON SIDE OF HOUSING.
- 9 OBSOLETE PARTS: OBSOLETE CIS STREAMLINING PER D.RENAUD/D.SINISI



3-DIMENSIONAL MODEL NTS

6.35	.250	27.43	1.080
4.45	.175	26.16	1.030
2.79	.110	25.91	1.020
2.54	.100	20.32	.800
2.29	.090	14.35	.565
0.76	.030	13.97	.550
0.38	.015	12.19	.480
0.25	.010	8.13	.320
0.13	.005	6.99	.275
MM	IN	MM	IN

CONVERSION TABLE

	BLACK	1-480705-9
	GREY	1-480705-8
	BLUE	1-480705-6
	GREEN	1-480705-5
	YELLOW	1-480705-4
	ORANGE	1-480705-3
	RED	1-480705-2
	BROWN	1-480705-1
	NATURAL	1-480705-0
	COLOR	PART NUMBER

METRIC

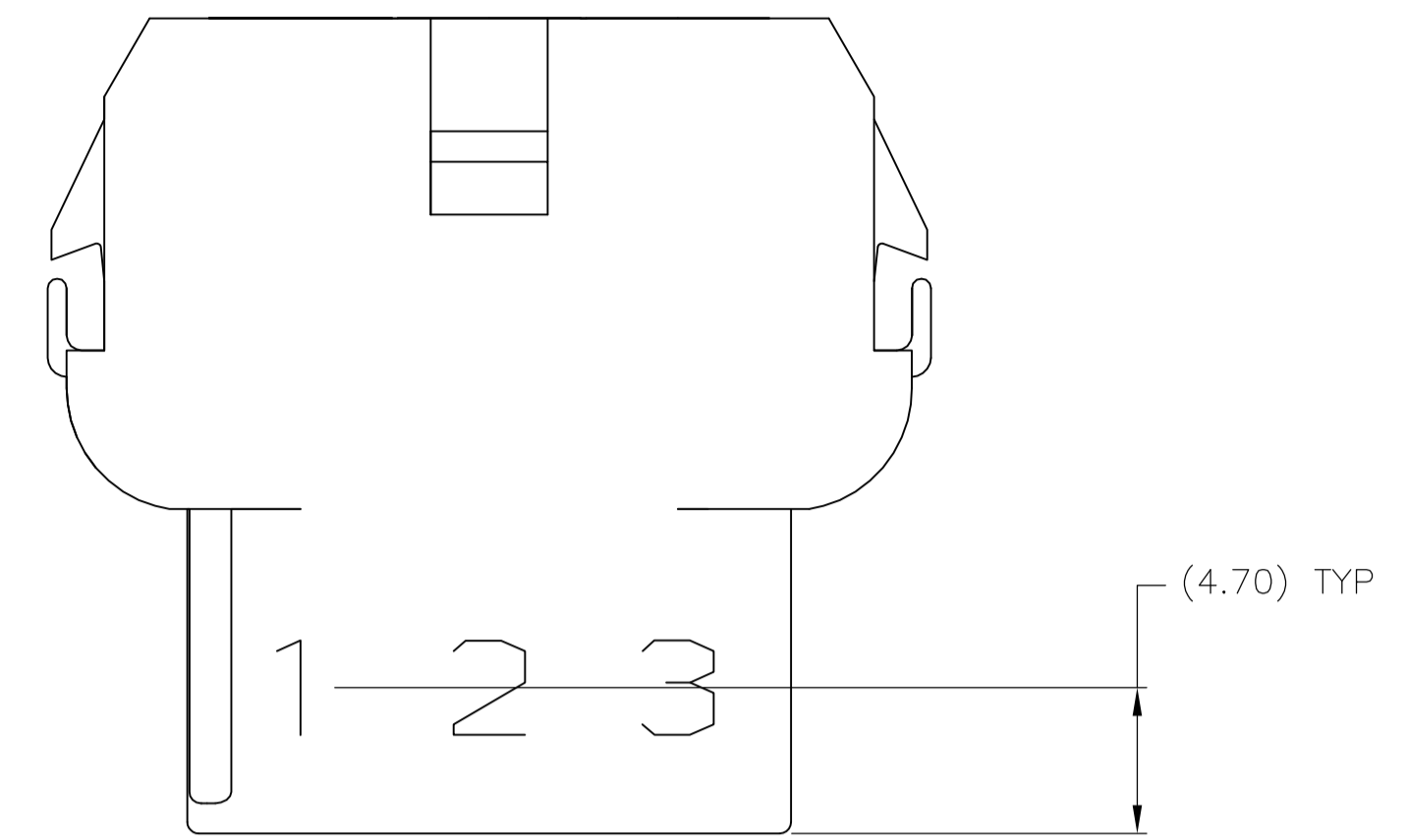
THIS DRAWING IS A CONTROLLED DOCUMENT.

DIMENSIONS: mm	TOLERANCES UNLESS OTHERWISE SPECIFIED:	DIN K. WHITAKER 28JUL04	APVD S. RIDGILL 28JUL04	NAME	SIZE	CAGE CODE	DRAWING NO	RESTRICTED TO
0. PLC ± -	1. PLC ± -	2. PLC ± ± 0.127	3. PLC ± ± -	4. PLC ± ± -	ANGLES ± ± 0°30'	FINISH -	WEIGHT -	A1 00779 C=480705
MATERIAL NYLON, UL94V-2	FINISH -	WEIGHT -	SCALE 4:1	SHEET 1 OF 2	REV AP1	CUSTOMER DRAWING		

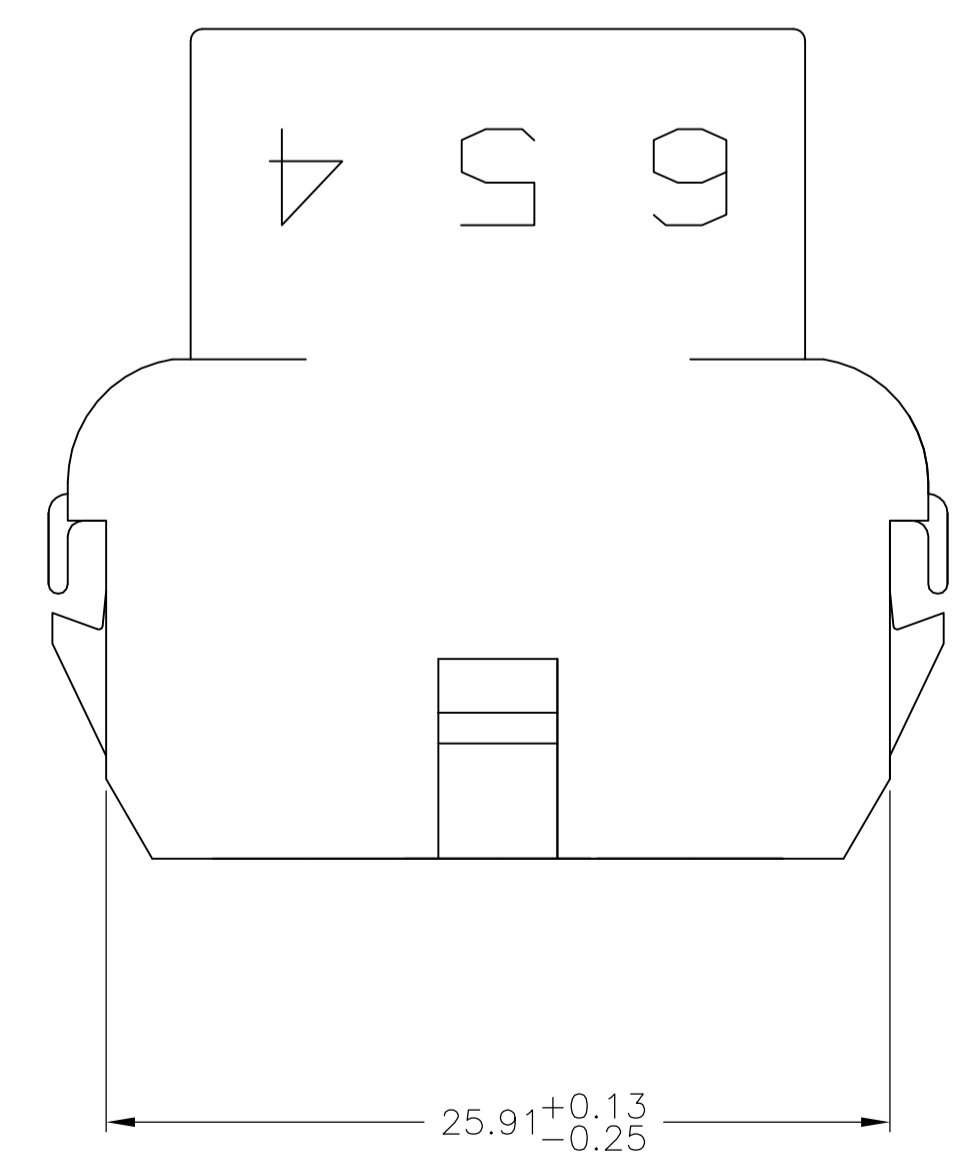
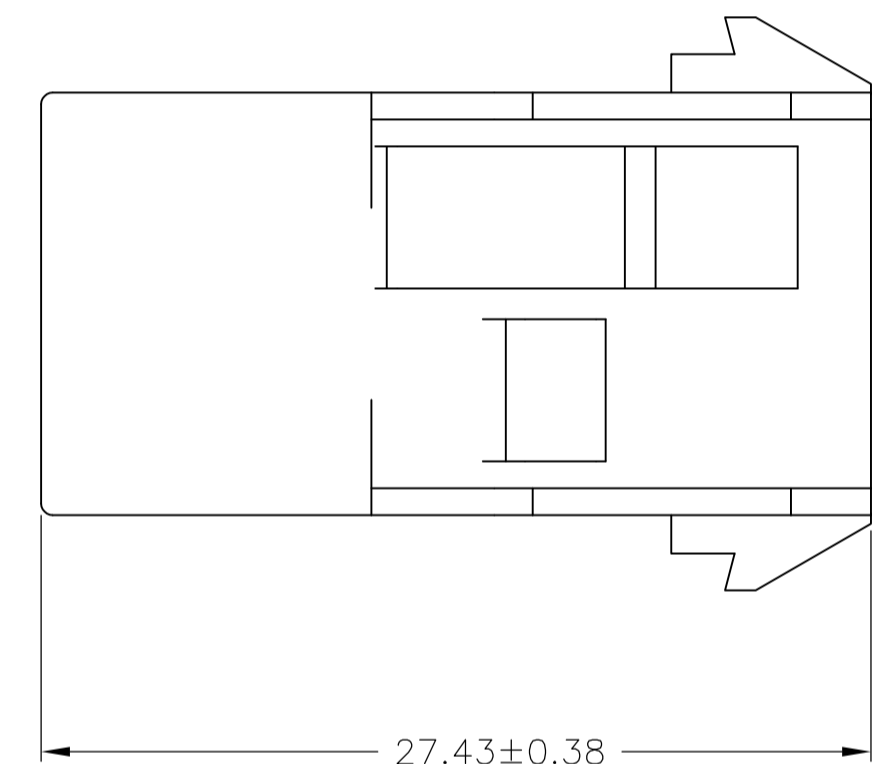
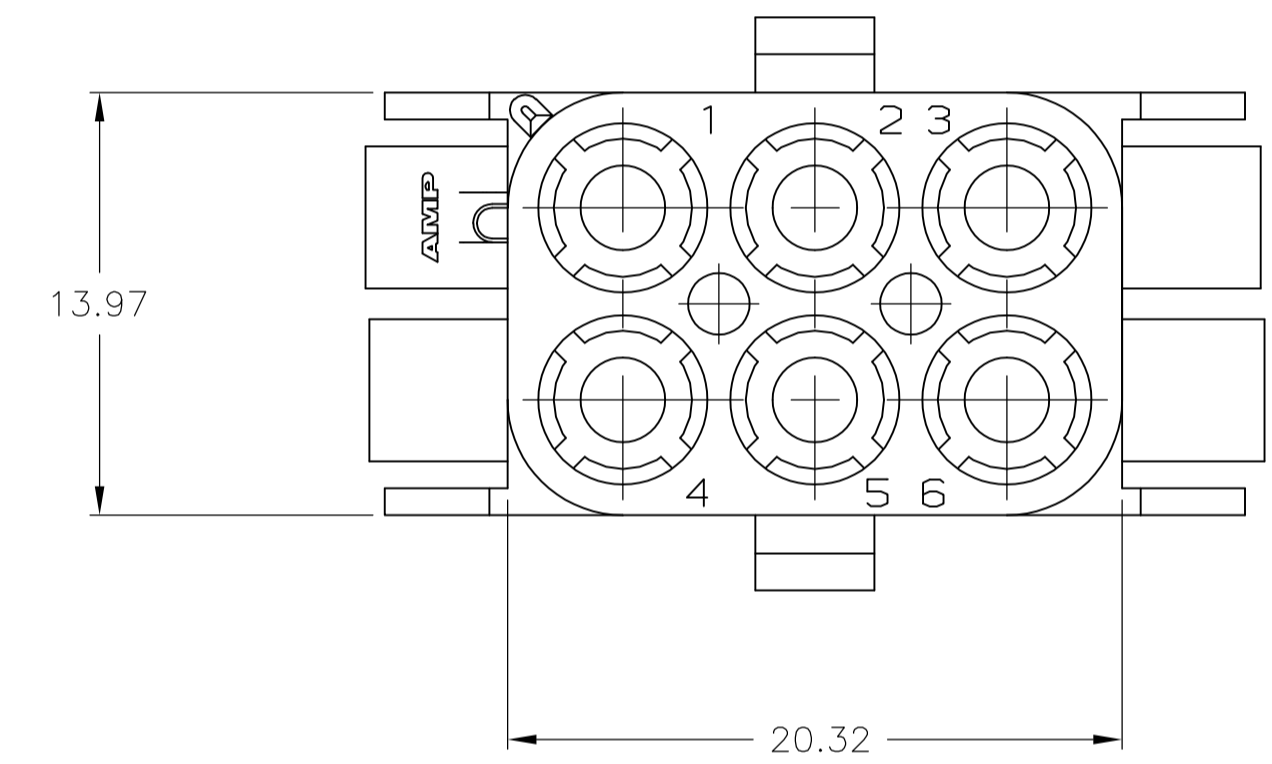
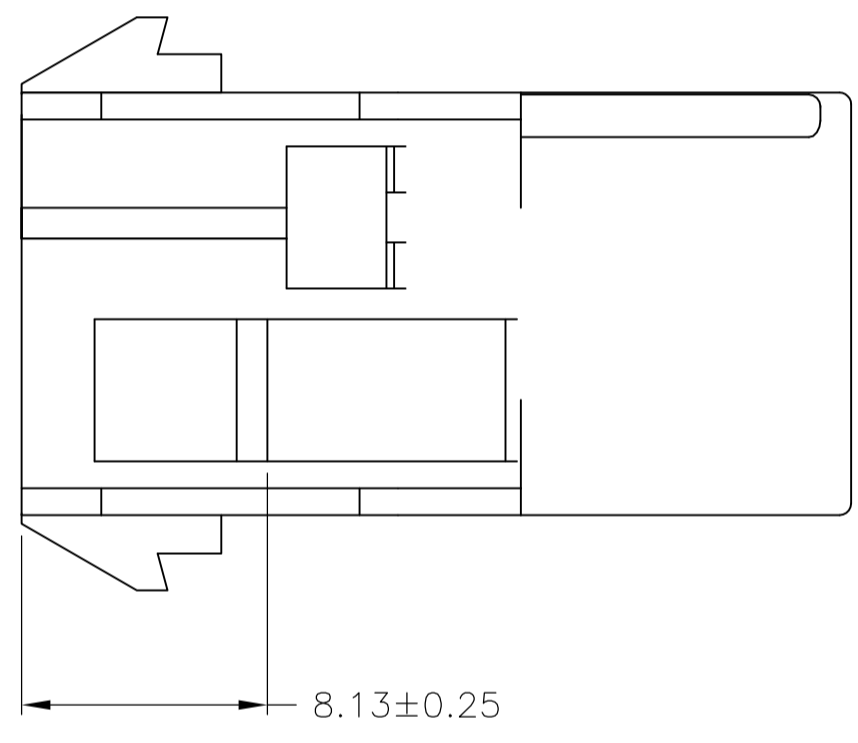
THIS DRAWING IS A CONTROLLED DOCUMENT. Tyco Electronics Corporation Harrisburg, Pa 17105-3608

NAME: CAP. 6 CIRCUIT, UNIVERSAL MATE-N-LOK™

LOC	DIST	REVISIONS			
CM	00	REV	DATE	BY	APPV
-	-	1	SEE SHEET 1	-	-

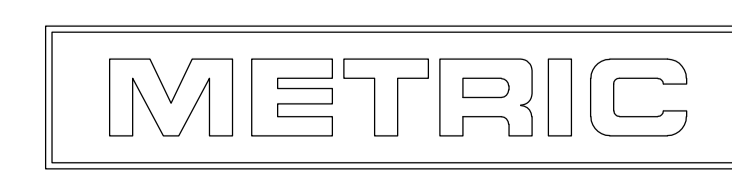


- 1 STAMP NUMBERS 3.18 HIGH AT WIRE END OF HOUSING (12 POINT DAVID TYPE); CLARIFICATION MARKS UNDER THE 6 & 9.
- 2 CHARACTERS TO BE STAMPED ON HOUSING IN A MANNER AS TO BE READ FROM WIRE END ONLY.
- 3 VIOLET, BLACK, BROWN, AND BLUE COLORED BLOCKS TO BE STAMPED WITH WHITE CHARACTERS. ALL OTHER COLORED BLOCKS TO BE STAMPED WITH BLACK CHARACTERS.



MM	IN	MM	IN
5.08	.200	-	-
4.70	.185	27.43	1.080
3.18	.125	25.91	1.020
0.38	.015	20.32	.800
0.25	.010	13.97	.550
0.13	.005	8.13	.320

CONVERSION TABLE



NATURAL	2-480705-0
COLOR	PART NO.

THIS DRAWING IS A CONTROLLED DOCUMENT.

DIMENSIONS: mm	TOLERANCES UNLESS OTHERWISE SPECIFIED:	DIN K. WHITAKER 28JUL04	APVD S. RIDGILL 28JUL04	NAME	SIZE	SCALE	SHEET	OF	REV
0. PLC ± -	1. PLC ± -	2. PLC ± -	3. PLC ± 0.127	4. PLC ± -	ANGLES ± 0°30'	MATERIAL -	FINISH -	WEIGHT -	A1 00779 C=480705
CUSTOMER DRAWING		Tyco Electronics Corporation Harrisburg, Pa 17105-3608		CAP. 6 CIRCUIT, UNIVERSAL MATE-N-LOK™		A1 00779 C=480705		4:1 2 OF 2 AP1	