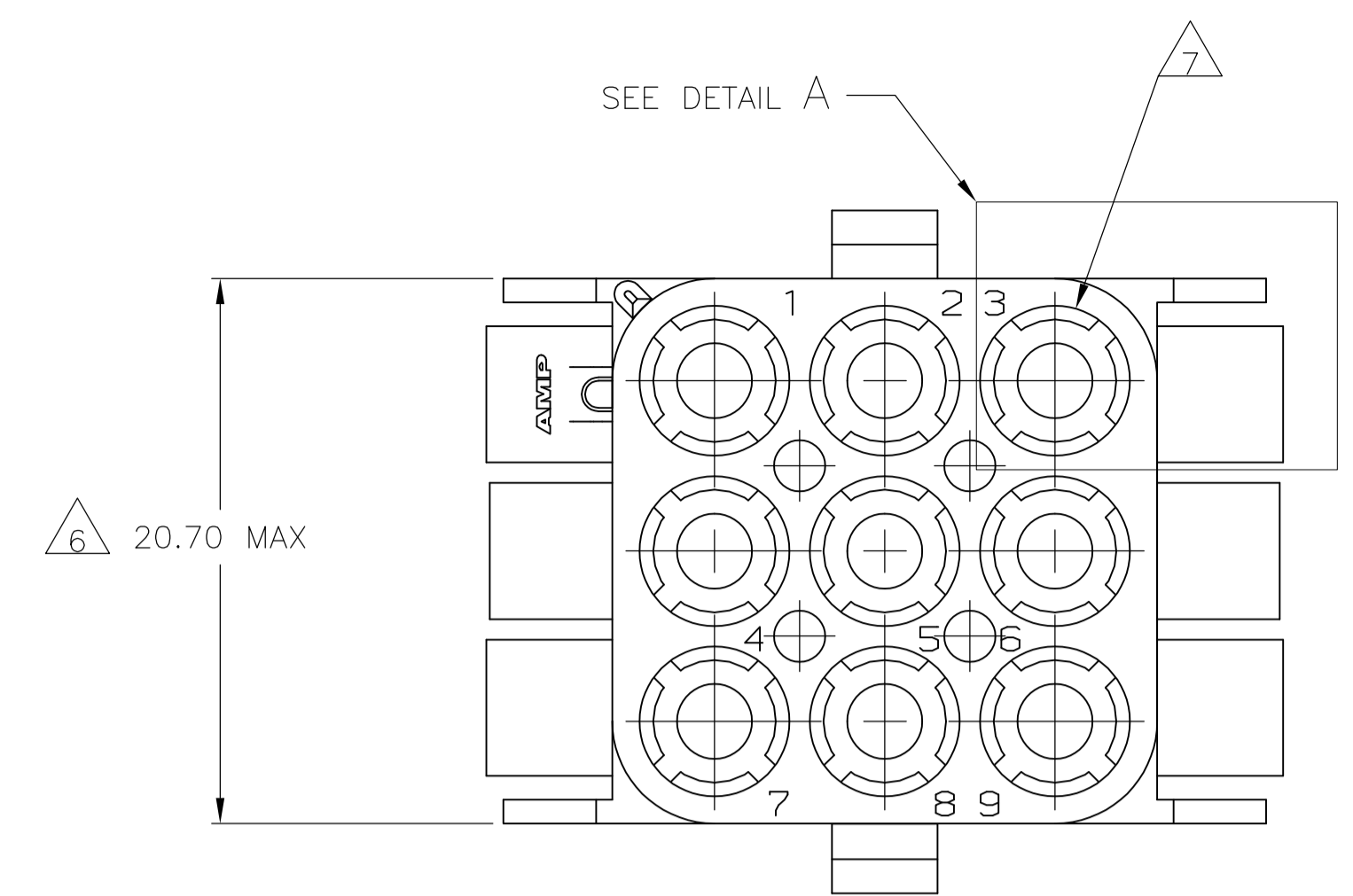
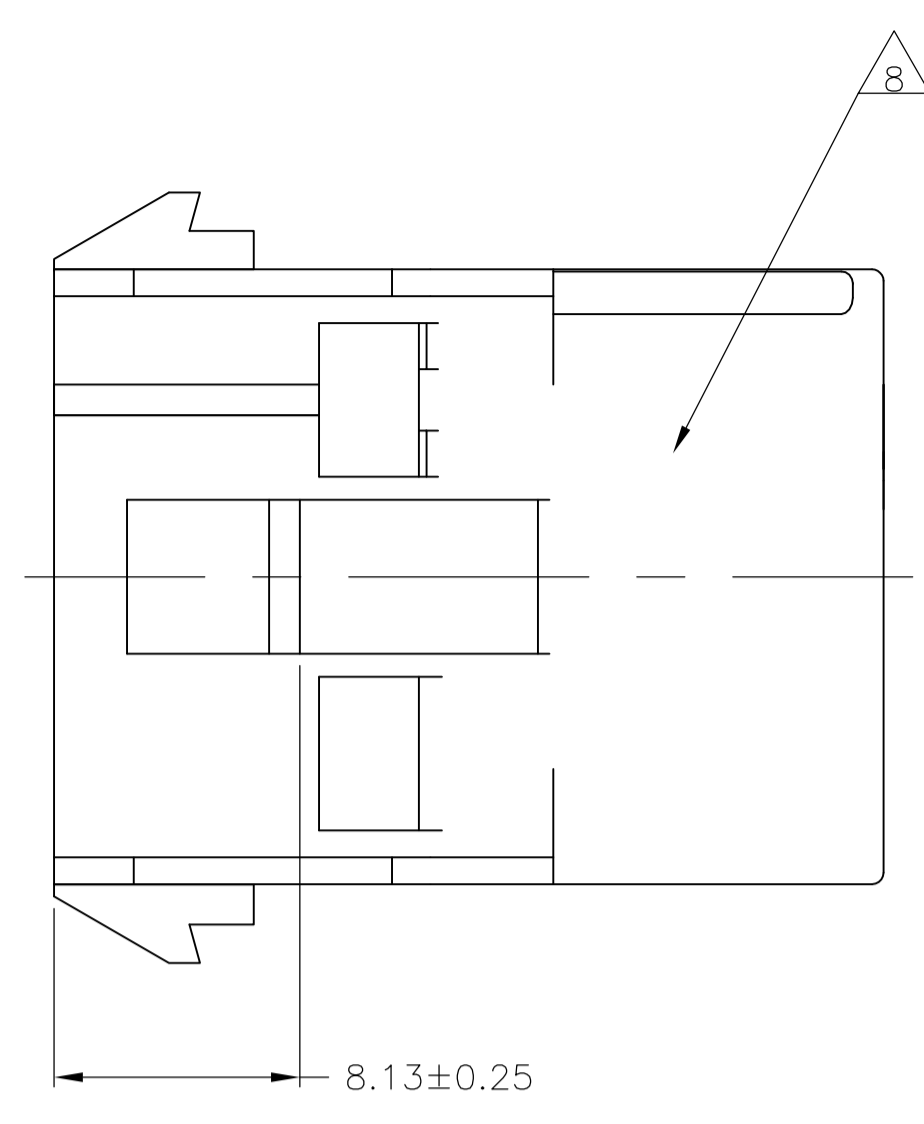
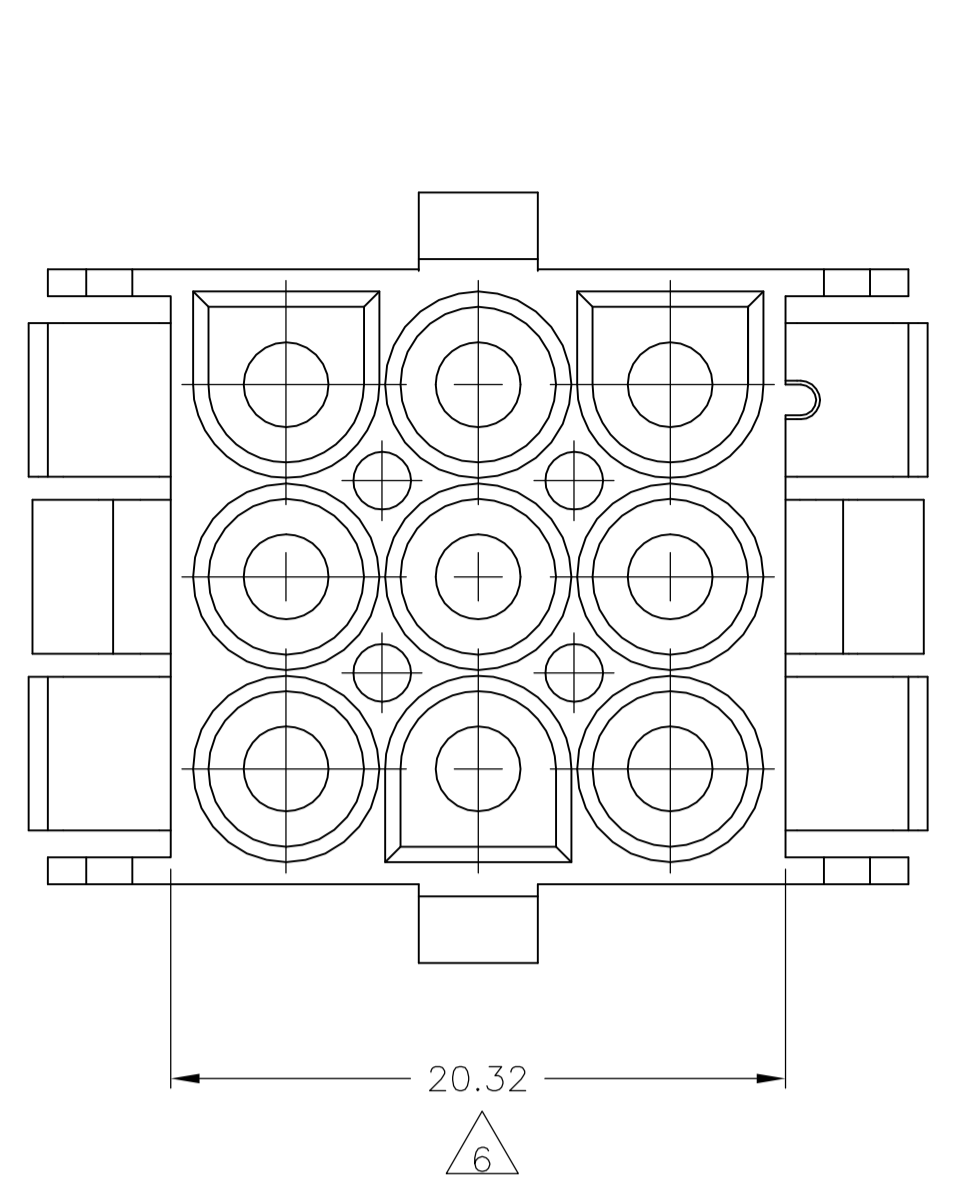
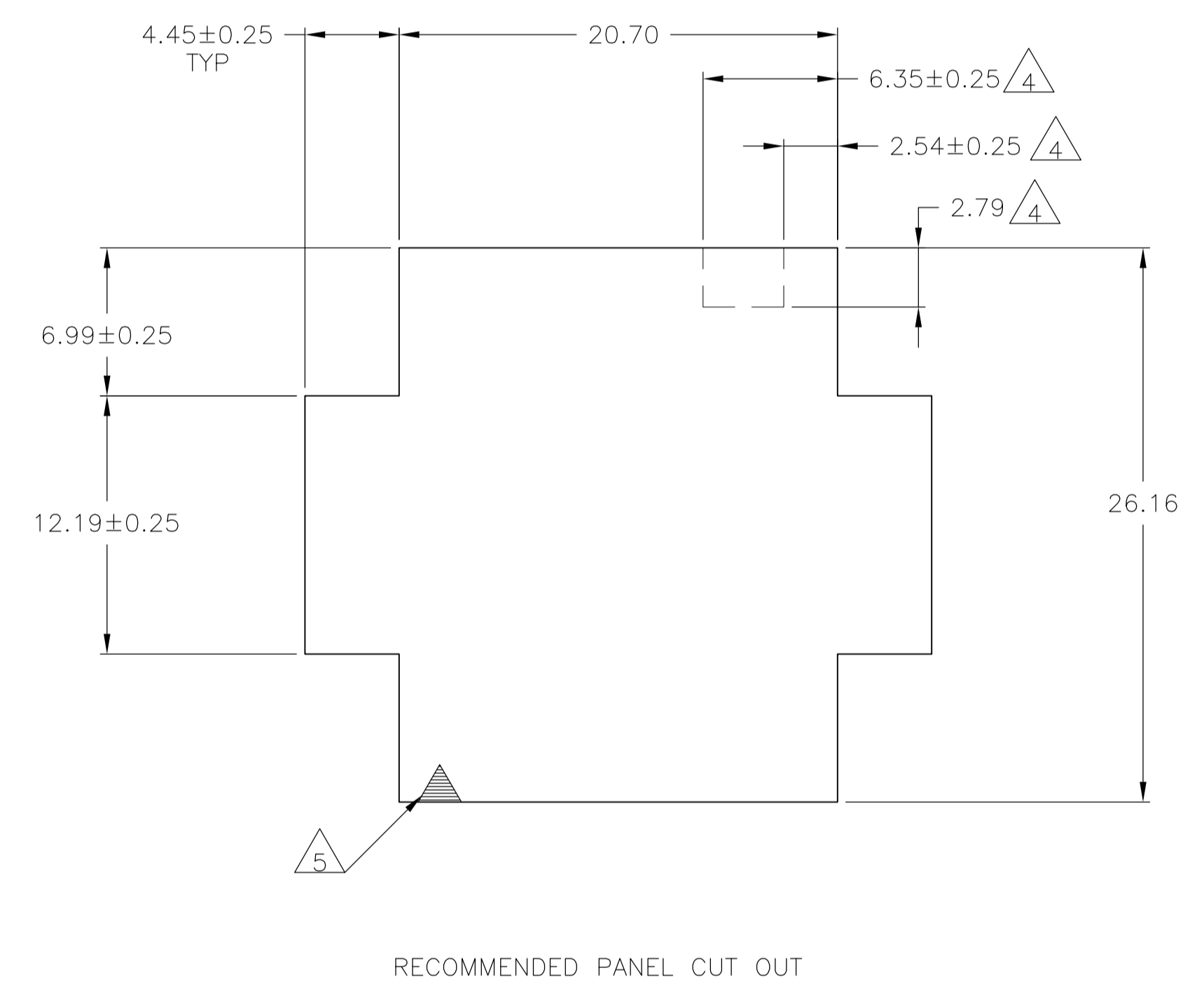
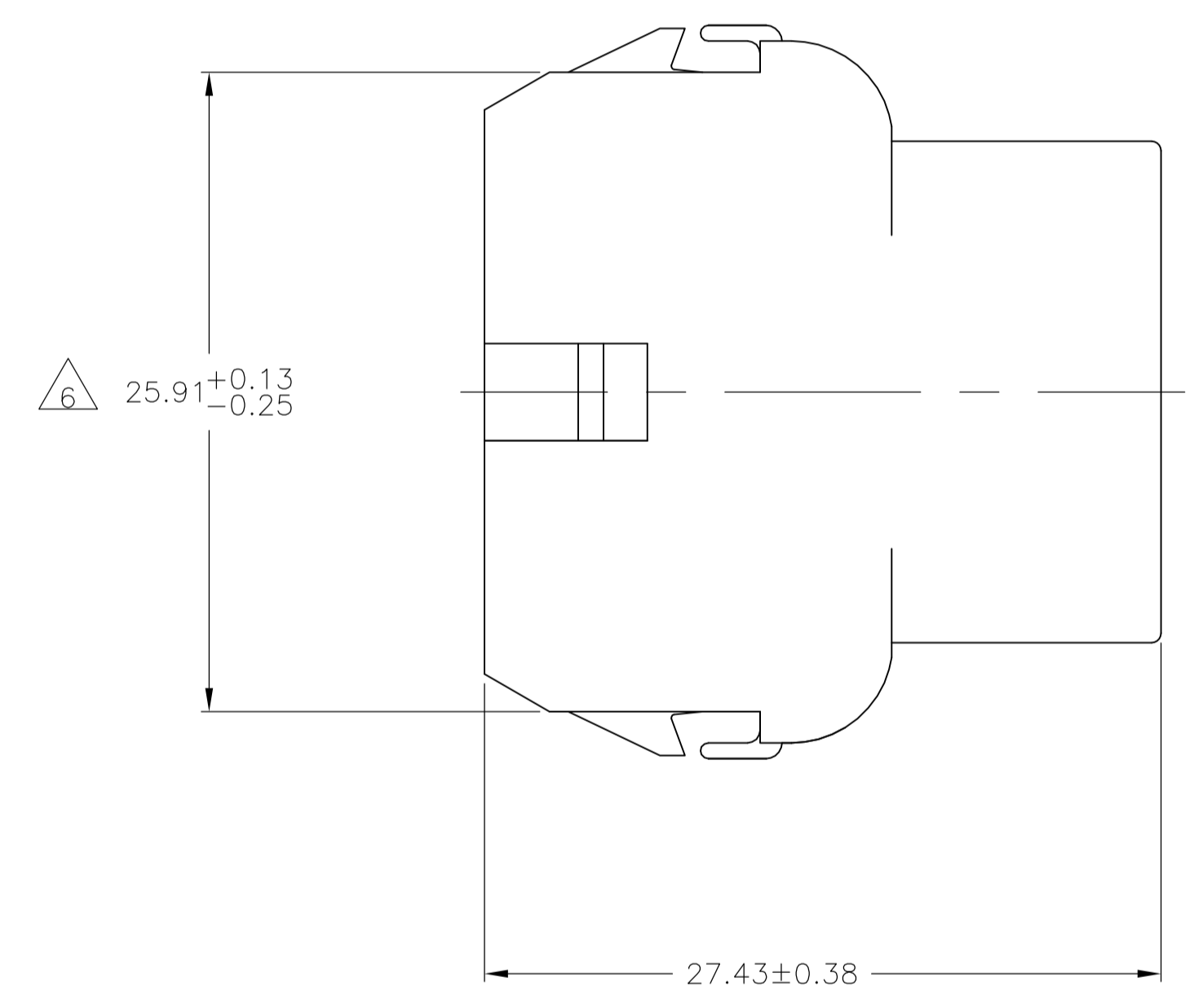
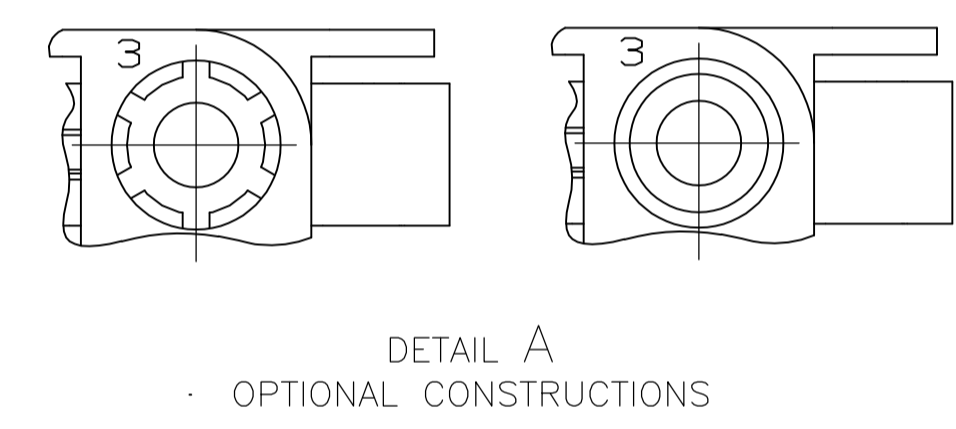


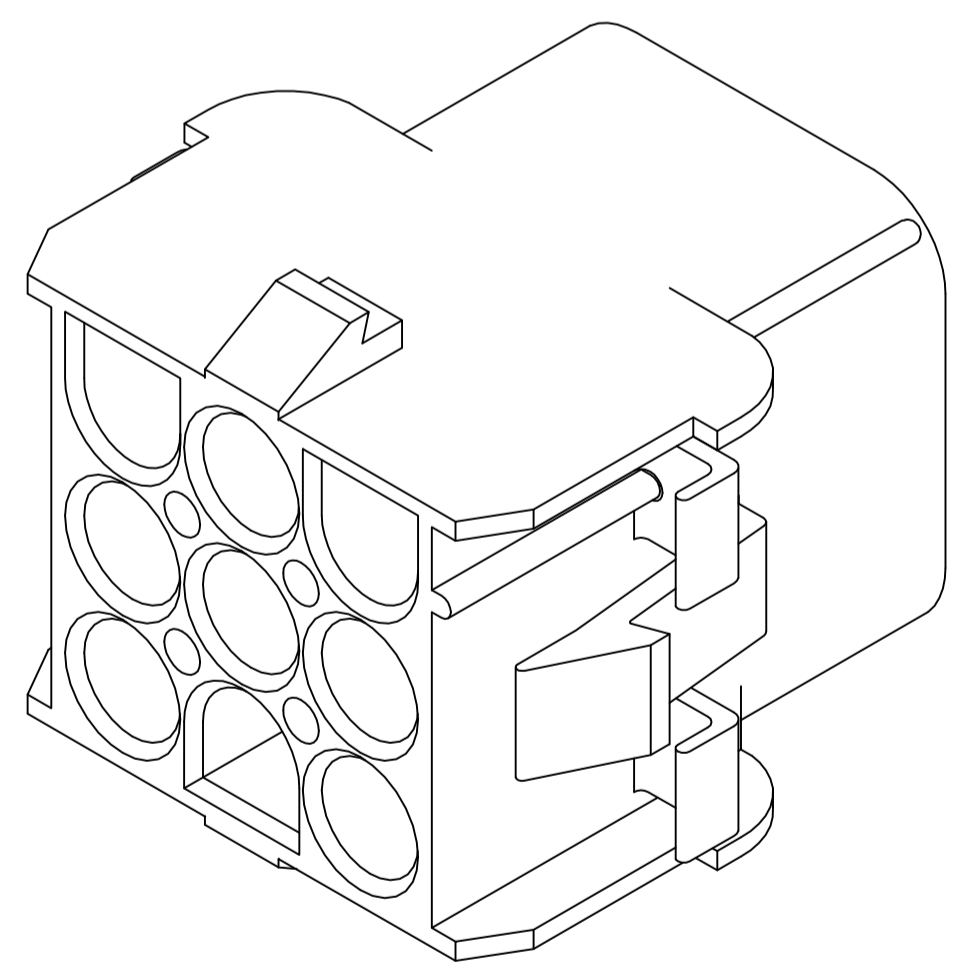
LOC	DIST	REVISIONS			
CM	00	REV	DESCRIPTION	DATE	BY
		AK	ECO-06-013891	01SEP06	BSV GSR
		AK1	REVISED PER ECO-09-021826	07SEP09	KK AEG



1. MATES WITH APPROPRIATE UNIVERSAL MATE-N-LOK™ PLUG.
2. RECOMMENDED PANEL THICKNESS 0.76 - 2.29.
3. PANEL MUST BE PUNCHED SO THAT THE HOUSING ENTERS THE PANEL IN THE SAME DIRECTION AS THE PUNCH.
4. OPTIONAL FOR KEYING HOUSING IN PANEL.
5. CIRCUIT NUMBER 1 LOCATION.
6. DIMENSION REPRESENTS POTENTIAL MAXIMUM GROWTH DUE TO MOISTURE ABSORPTION.
7. FOUR RIBS EQUALLY SPACED, NO SPECIFIC ORIENTATION. NO RIBS OR SIX RIBS EQUALLY SPACED, NO SPECIFIC ORIENTATION, OPTIONAL.
8. UNDERWRITERS RECOGNIZED COMPONENT LOGO AND CSA CERTIFICATION LOGO TO BE LOCATED ONCE EACH ON SIDE OF HOUSING.
9. OBSOLETE PARTS: OBSOLETE CIS STREAMLINING PER D.RENAUD/D.SINISI



RECOMMENDED PANEL CUT OUT



3-DIMENSIONAL MODEL NTS

MM	IN	MM	IN
6.35	.250	-	-
4.45	.175	27.43	1.080
2.79	.110	26.43	1.041
2.54	.100	25.91	1.020
2.29	.090	20.70	.815
0.76	.030	20.32	.800
0.38	.015	12.19	.480
0.25	.010	8.13	.320
0.13	.005	6.99	.275

CONVERSION TABLE

Color	Part No
BLACK	1-480707-9
GRAY	1-480707-8
BLUE	1-480707-6
GREEN	1-480707-5
YELLOW	1-480707-4
ORANGE	1-480707-3
RED	1-480707-2
BROWN	1-480707-1
NATURAL	1-480707-0
COLOR	PART NO

9 OBSOLETE
 9 SUPERSEDED BY 1-480707-0
 9 OBSOLETE

METRIC

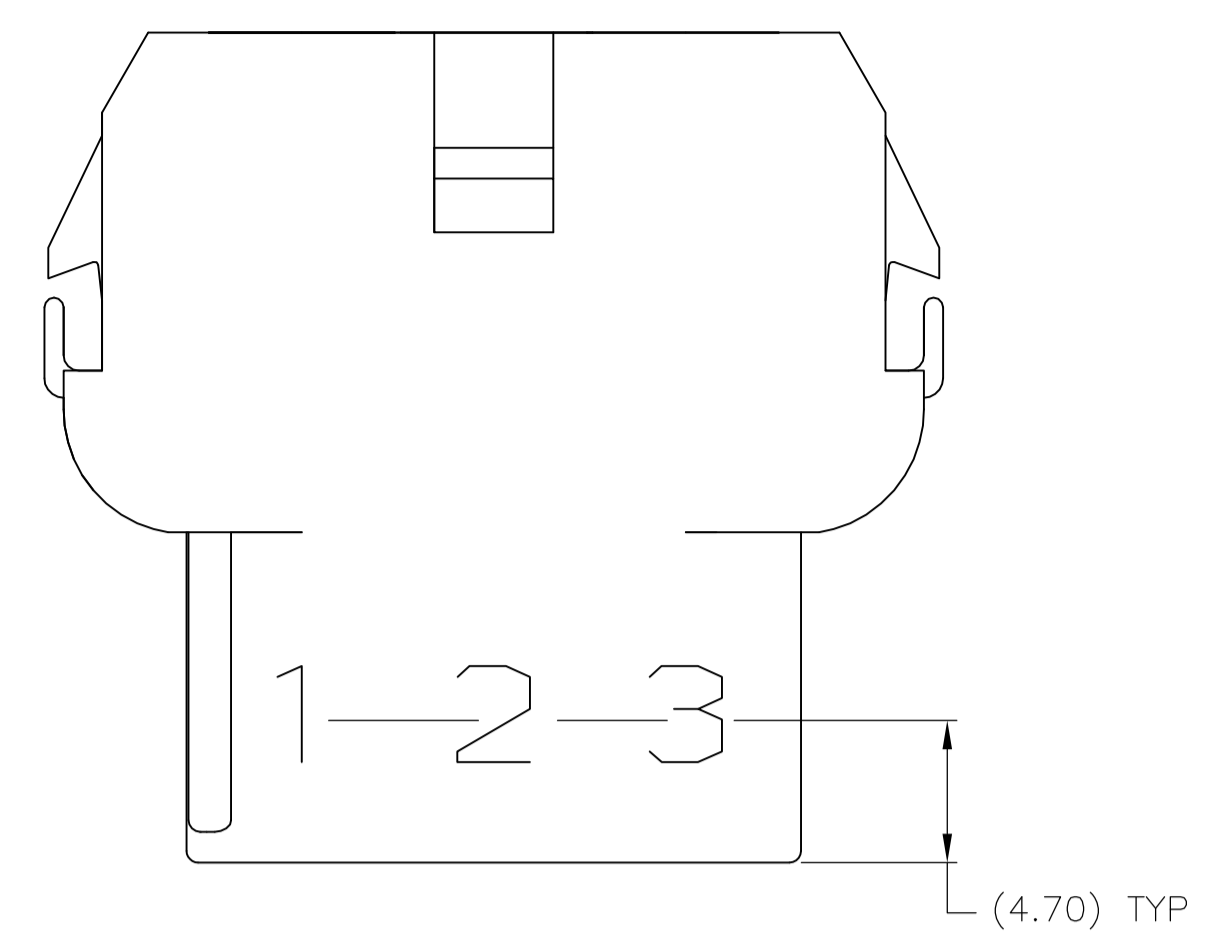
THIS DRAWING IS A CONTROLLED DOCUMENT.

DIMENSIONS: mm	TOLERANCES UNLESS OTHERWISE SPECIFIED:	DRAWING NO. 29JUL04	DATE 29JUL04	BY K. WHITAKER	CHK S. RIDGILL	APPROVED S. RIDGILL	NAME S. RIDGILL	PRODUCT SPEC	APPLICATION SPEC	SIZE A1	SCALE 4:1	SHEET 1 OF 2	REV AK1
0. PLC ± -	1. PLC ± -	2. PLC ± 0.13	3. PLC ± -	4. PLC ± -	ANGLES ± 0.30°	MATERIAL NYLON, UL94V-2	FINISH -	WEIGHT -	CUSTOMER DRAWING	00779	480707		

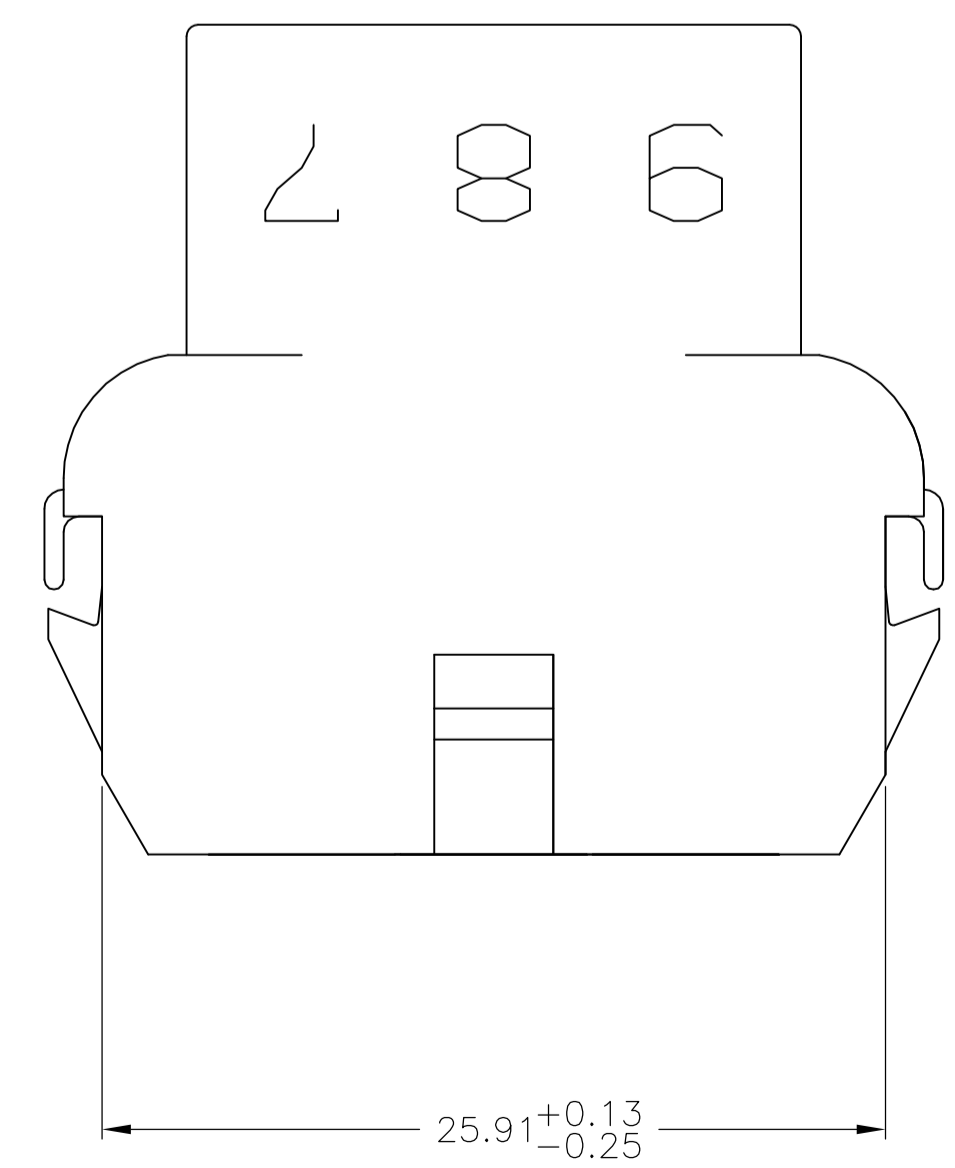
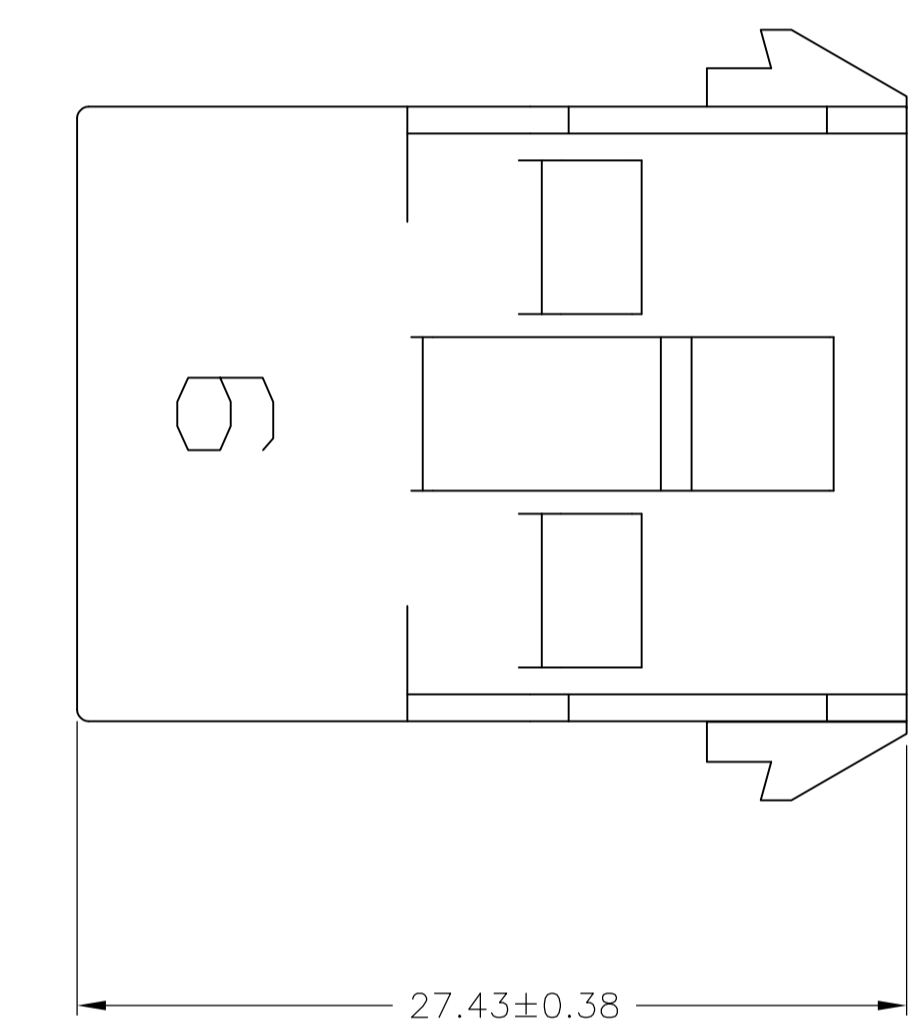
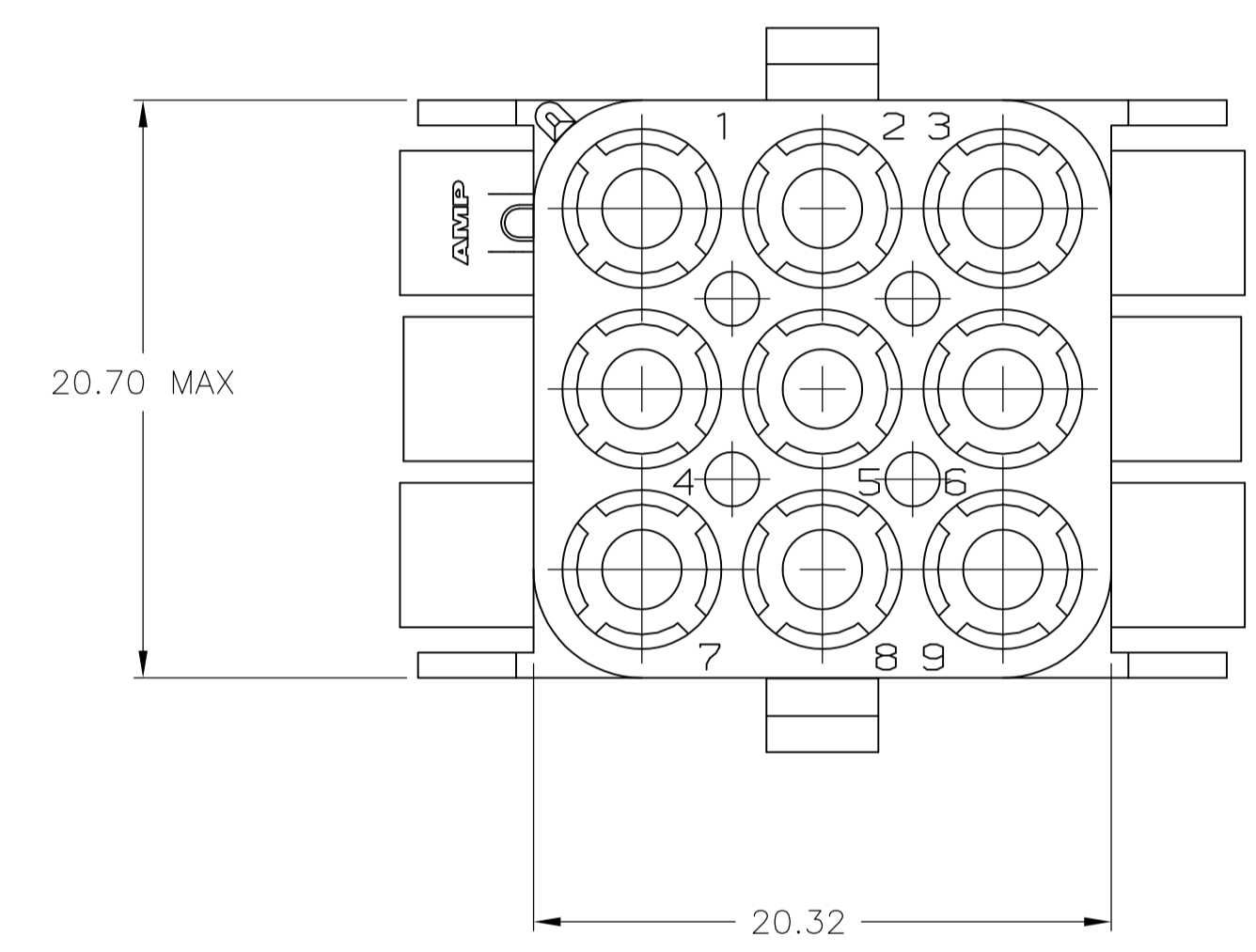
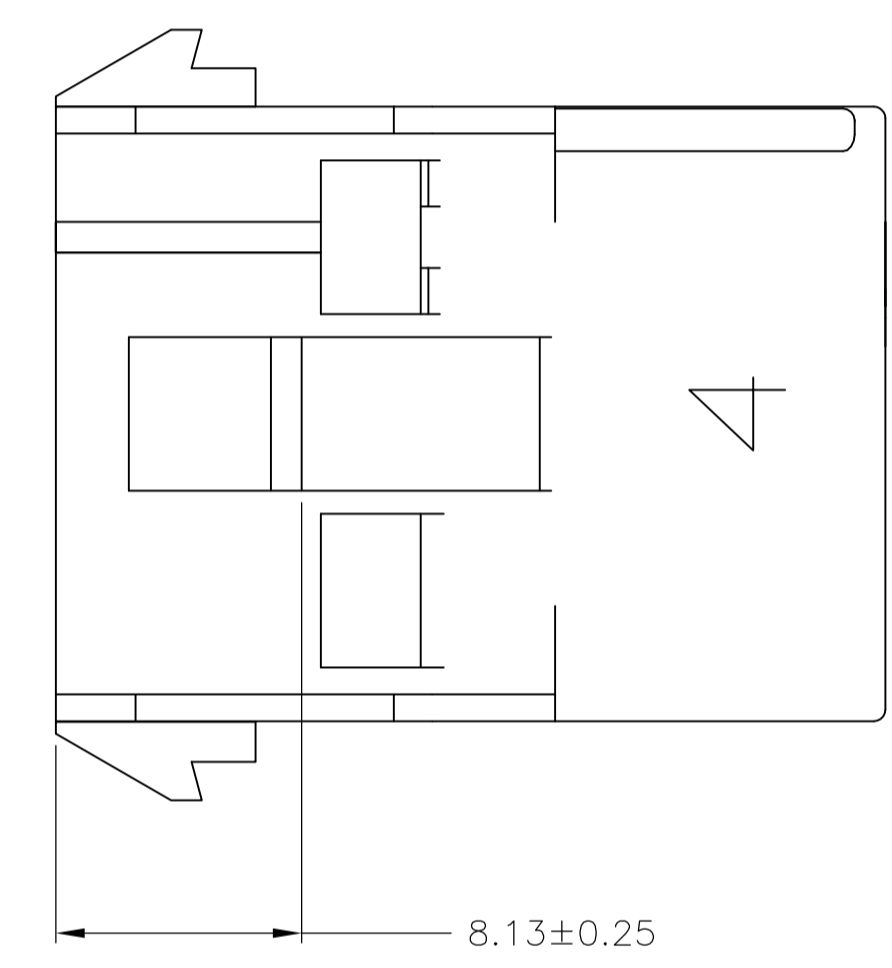
Tyco Electronics Corporation
 Harrisburg, PA 17105-3608

CAP.
 9 CIRCUIT,
 UNIVERSAL MATE-N-LOK(TM)

LOC		DIST		REVISIONS			
P	LTR	DESCRIPTION	DATE	DN	APVD		
-	-	SEE SHEET 1	-	-	-	-	-



1. STAMP NUMBERS 3.18 HIGH AT WIRE END OF HOUSING (12 POINT DAVID TYPE); CLARIFICATION MARKS UNDER THE 6 & 9.
2. CHARACTERS TO BE STAMPED ON HOUSING IN A MANNER AS TO BE READ FROM WIRE END ONLY.
3. VIOLET, BLACK, BROWN, AND BLUE COLORED BLOCKS TO BE STAMPED WITH WHITE CHARACTERS. ALL OTHER COLORED BLOCKS TO BE STAMPED WITH BLACK CHARACTERS.



MM	IN	MM	IN
5.08	.200	-	-
4.70	.185	27.43	1.080
3.18	.125	25.91	1.020
0.38	.015	20.70	.815
0.25	.010	20.32	.800
0.13	.005	8.13	.320

CONVERSION TABLE

METRIC

THIS DRAWING IS A CONTROLLED DOCUMENT.

DIMENSIONS: mm	TOLERANCES UNLESS OTHERWISE SPECIFIED:	DIN K. WHITAKER 29JUL04	Tyco Electronics Corporation Harrisburg, PA 17105-3608
0. PLC ± -	1. PLC ± -	CHK S. RIDGILL 29JUL04	
2. PLC ± 0.13	3. PLC ± -	APVD S. RIDGILL 29JUL04	NAME CAP, 9 CIRCUIT, UNIVERSAL MATE-N-LOK(TM)
4. PLC ± -	ANGLES ± 0°30'	APPLICATION SPEC	SIZE CAGE CODE DRAWING NO
MATERIAL NYLON, UL94V-2	FINISH -	WEIGHT -	A1 00779 C=480707
CUSTOMER DRAWING			RESTRICTED TO

SCALE 4:1 SHEET 2 OF 2 REV AK1