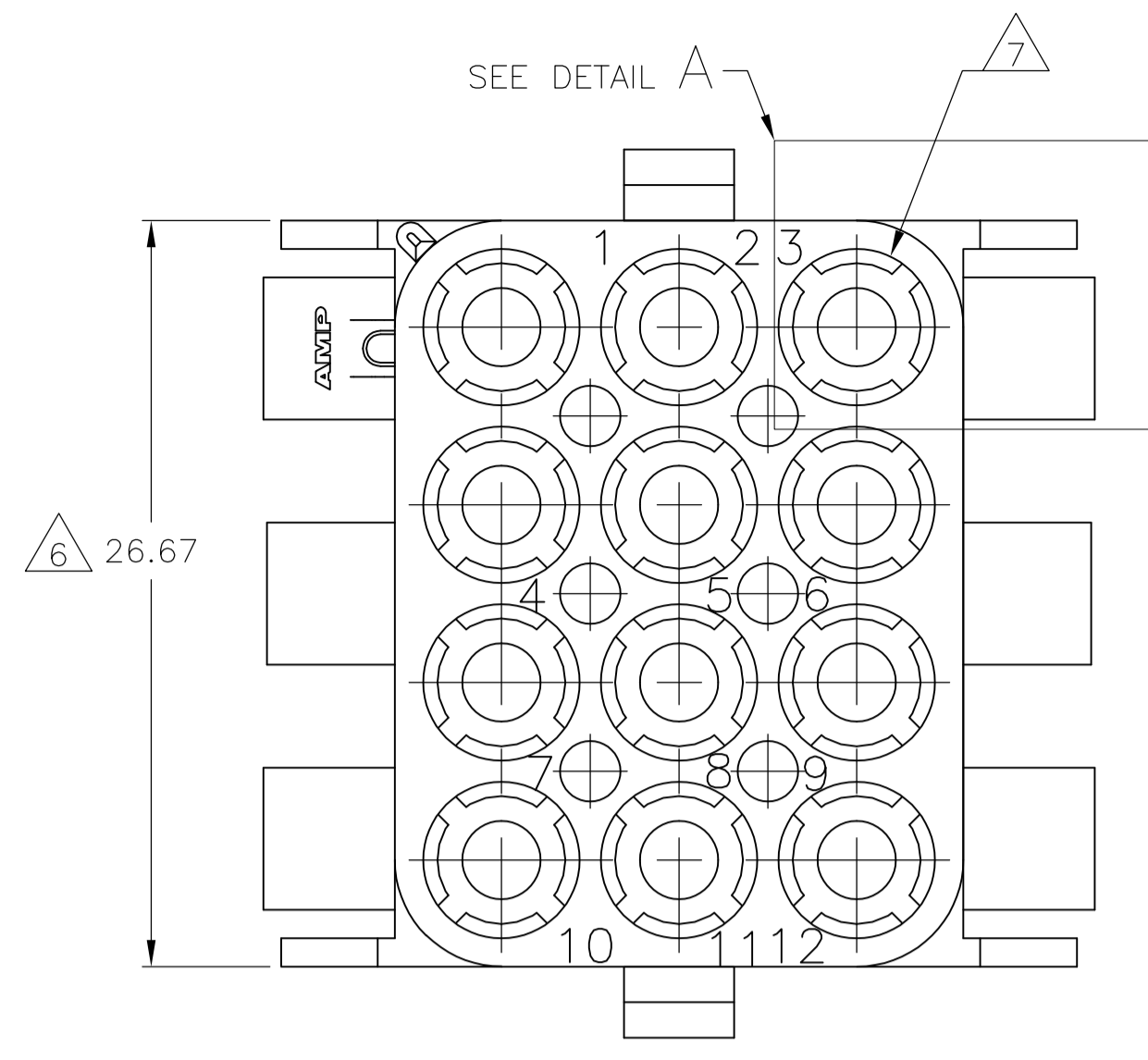
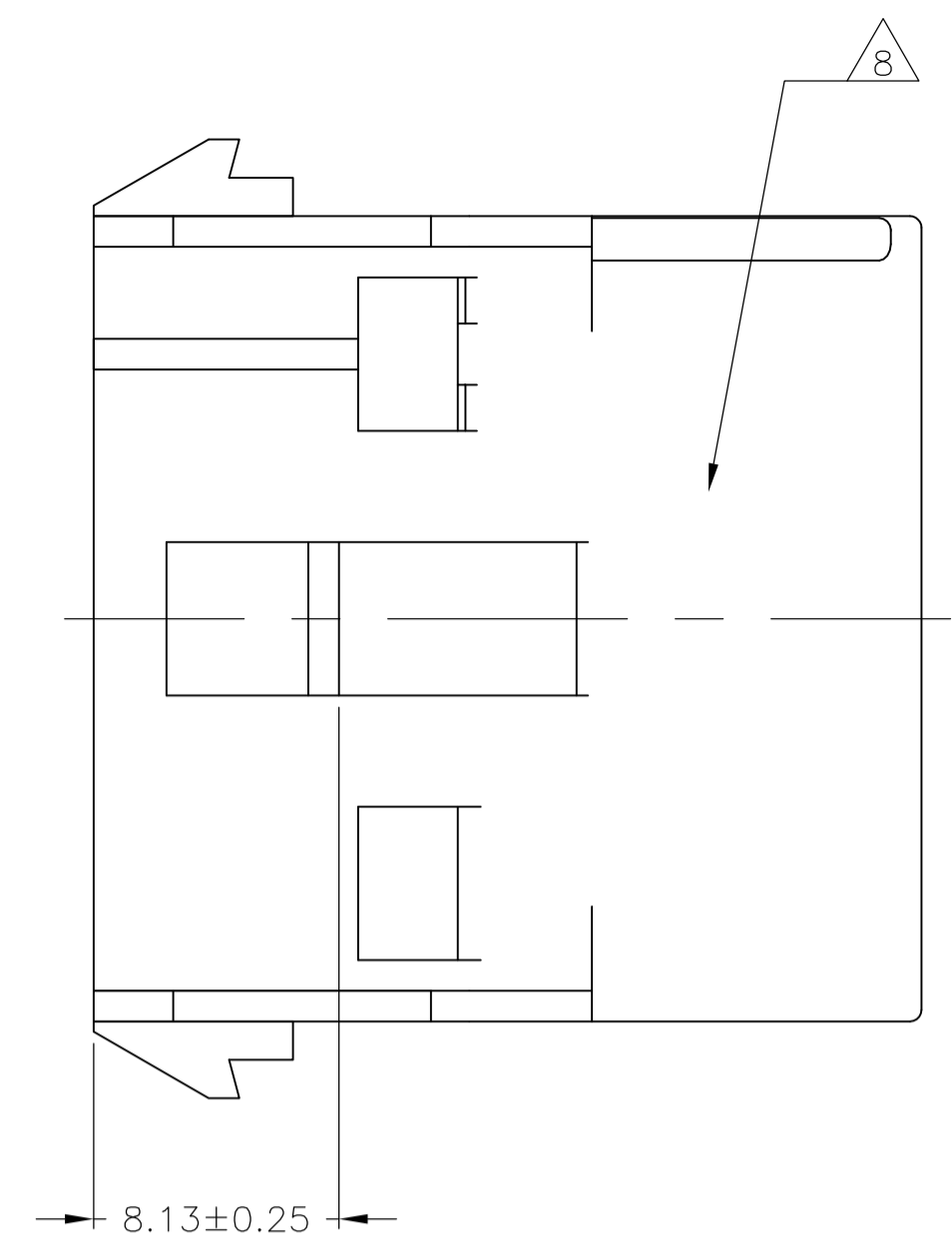
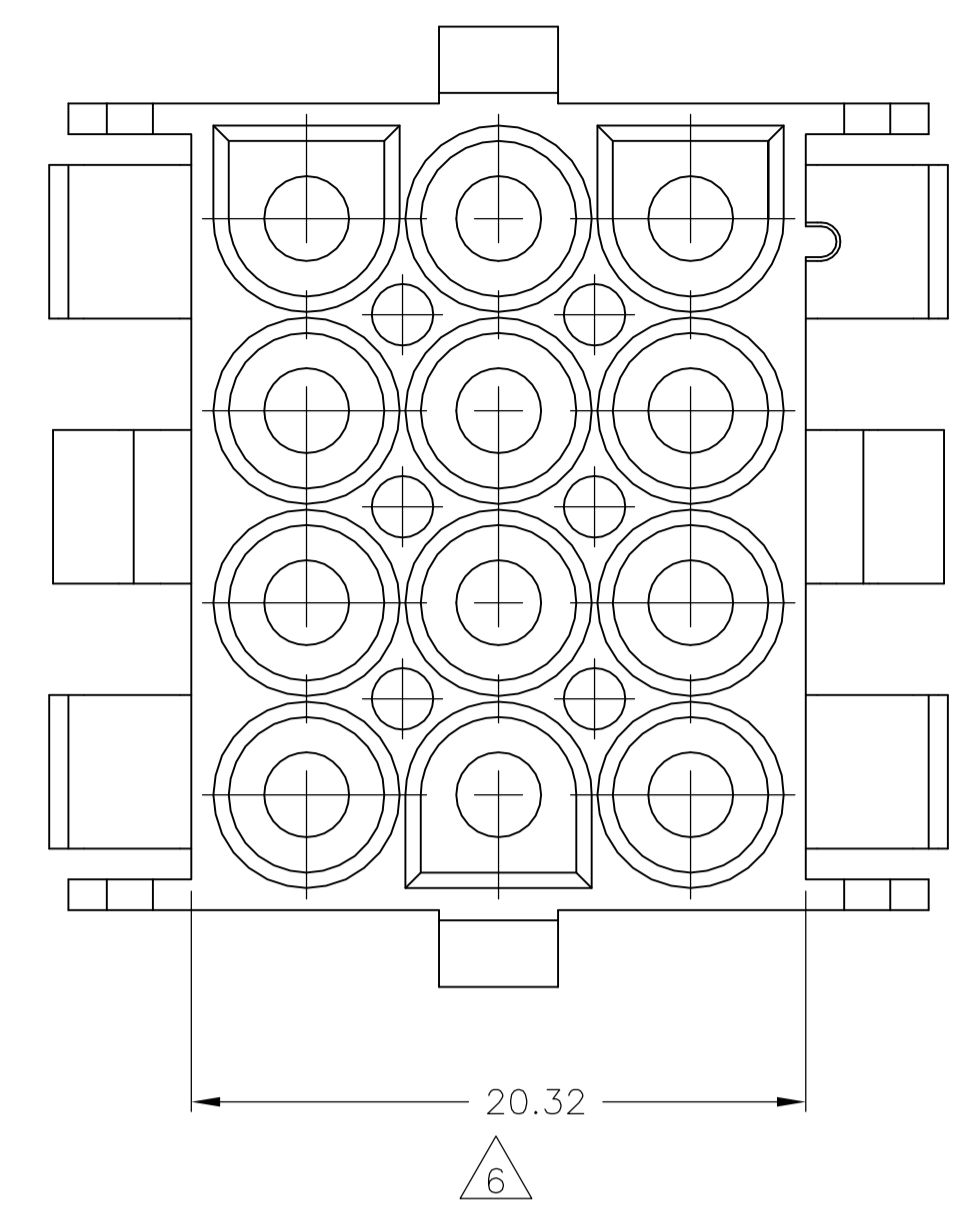
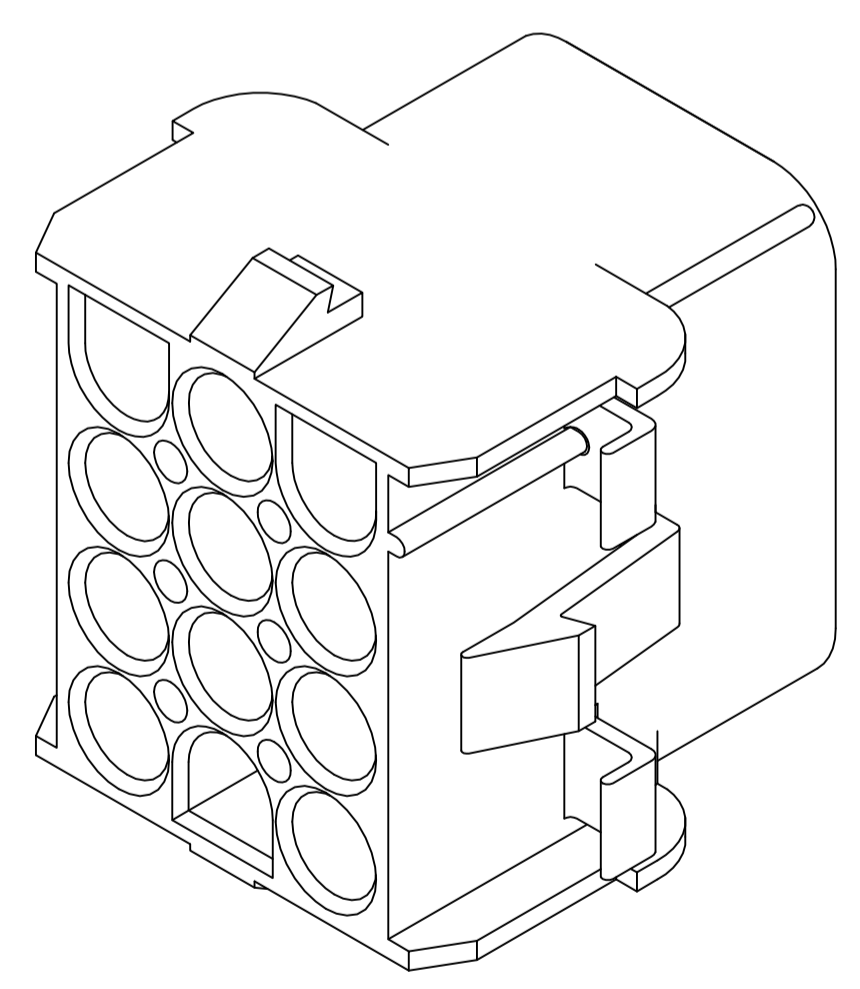
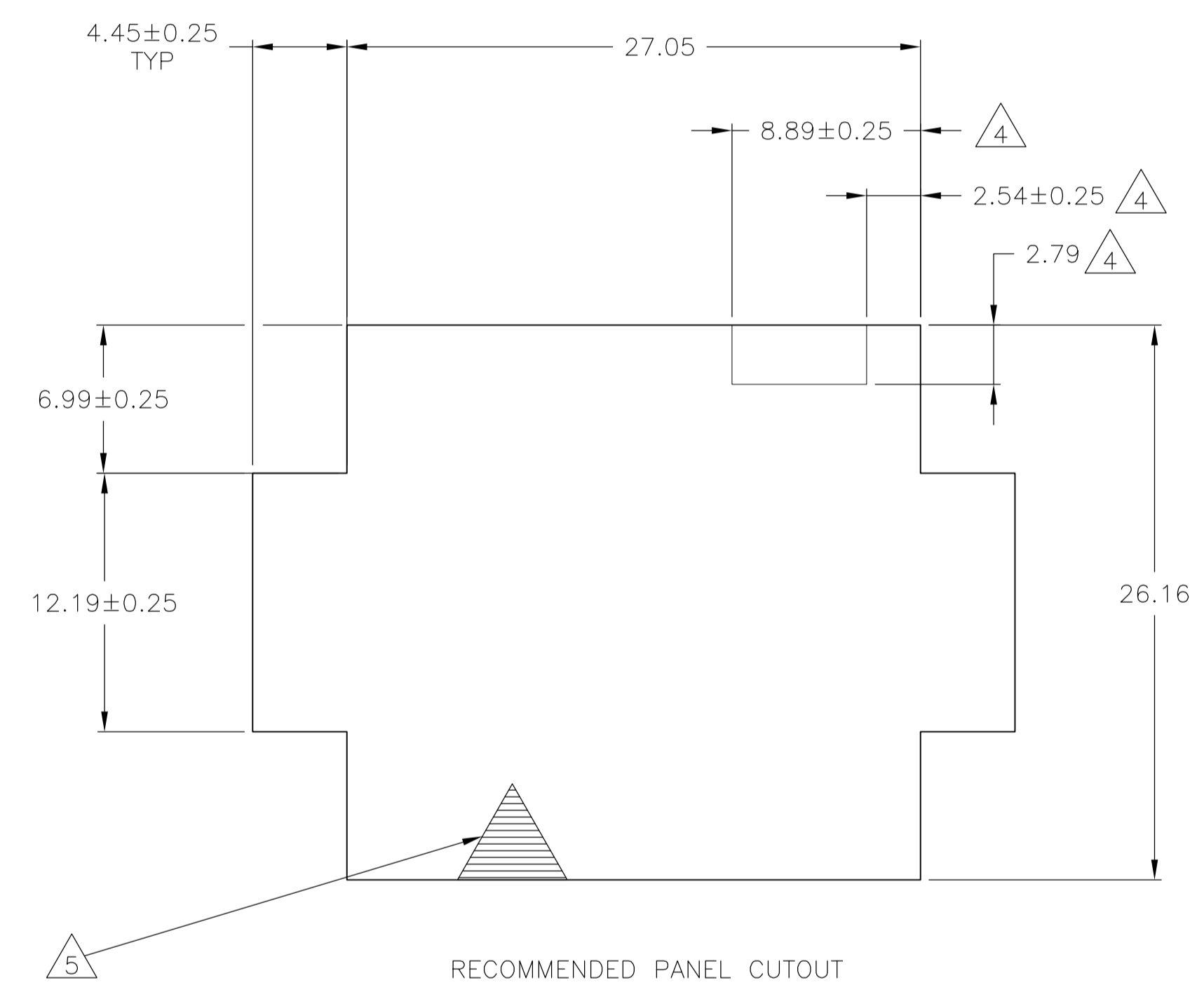
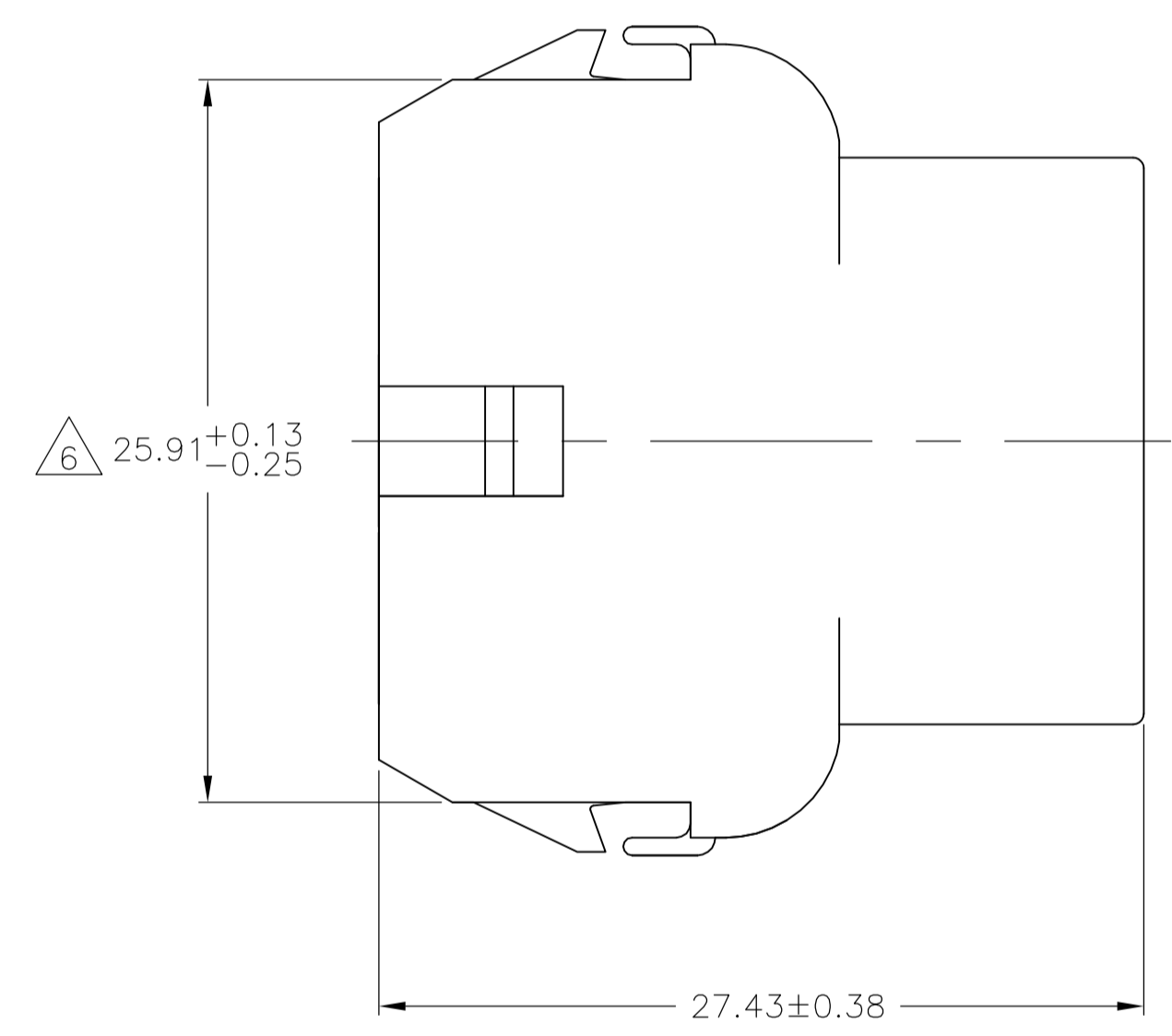
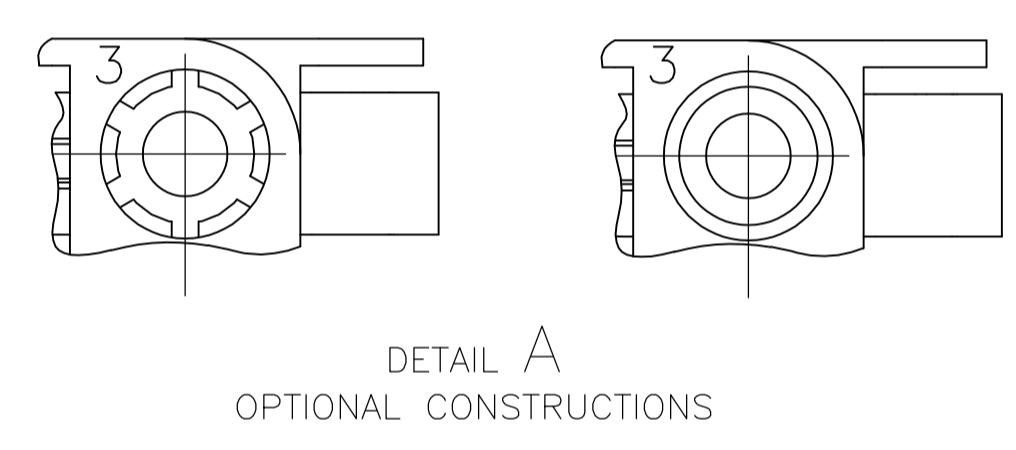


LOC		DIST		REVISIONS			
CM	00	REV	DATE	BY	CHK	APPV	REV
		AL	ECO-06-013891	04SEP06	BSV	GSR	
		AL1	REVISED PER ECO-09-021826	07SEP09	KK	AEG	



1. MATE WITH APPROPRIATE UNIVERSAL MATE-N-LOCK™ PLUG.
2. RECOMMENDED PANEL THICKNESS 0.75 - 2.29.
3. PANEL MUST BE PUNCHED SO THAT THE HOUSING ENTERS THE PANEL IN THE SAME DIRECTION AS THE PUNCH.
4. OPTIONAL FOR KEYING HOUSING IN PANEL.
5. CIRCUIT NUMBER 1 LOCATION.
6. DIMENSION INDICATED IS AS MOLDED. ADDITIONAL GROWTH DUE TO SUBSEQUENT MOISTURE ABSORPTION MAY OCCUR.
7. FOUR RIBS EQUALLY SPACED, NO SPECIFIC ORIENTATION. NO RIBS OR SIX RIBS EQUALLY SPACED, NO SPECIFIED ORIENTATION, OPTIONAL.
8. UNDERWRITERS RECOGNIZED COMPONENT LOGO AND CSA CERTIFICATION LOGO TO BE LOCATED ONCE EACH ON SIDE OF HOUSING.
9. OBSOLETE PARTS: OBSOLETE CIS STREAMLINING PER D.RENAUD/D.SINISI



3-DIMENSIONAL MODEL NTS

MM	IN	MM	IN
6.99	.275	27.43	1.080
4.45	.175	27.05	1.065
2.79	.110	26.67	1.050
2.54	.100	26.16	1.030
2.29	.090	25.91	1.020
0.76	.030	20.32	.800
0.38	.015	12.19	.480
0.25	.010	8.89	.350
0.13	.005	8.13	.320

CONVERSION TABLE

RECOMMENDED PANEL CUTOUT

9	OBSOLETE	COLOR	PART NO
		BLACK	1-480709-9
		GRAY	1-480709-8
		BLUE	1-480709-6
		GREEN	1-480709-5
		YELLOW	1-480709-4
		ORANGE	1-480709-3
		RED	1-480709-2
		BROWN	1-480709-1
		NATURAL	1-480709-0

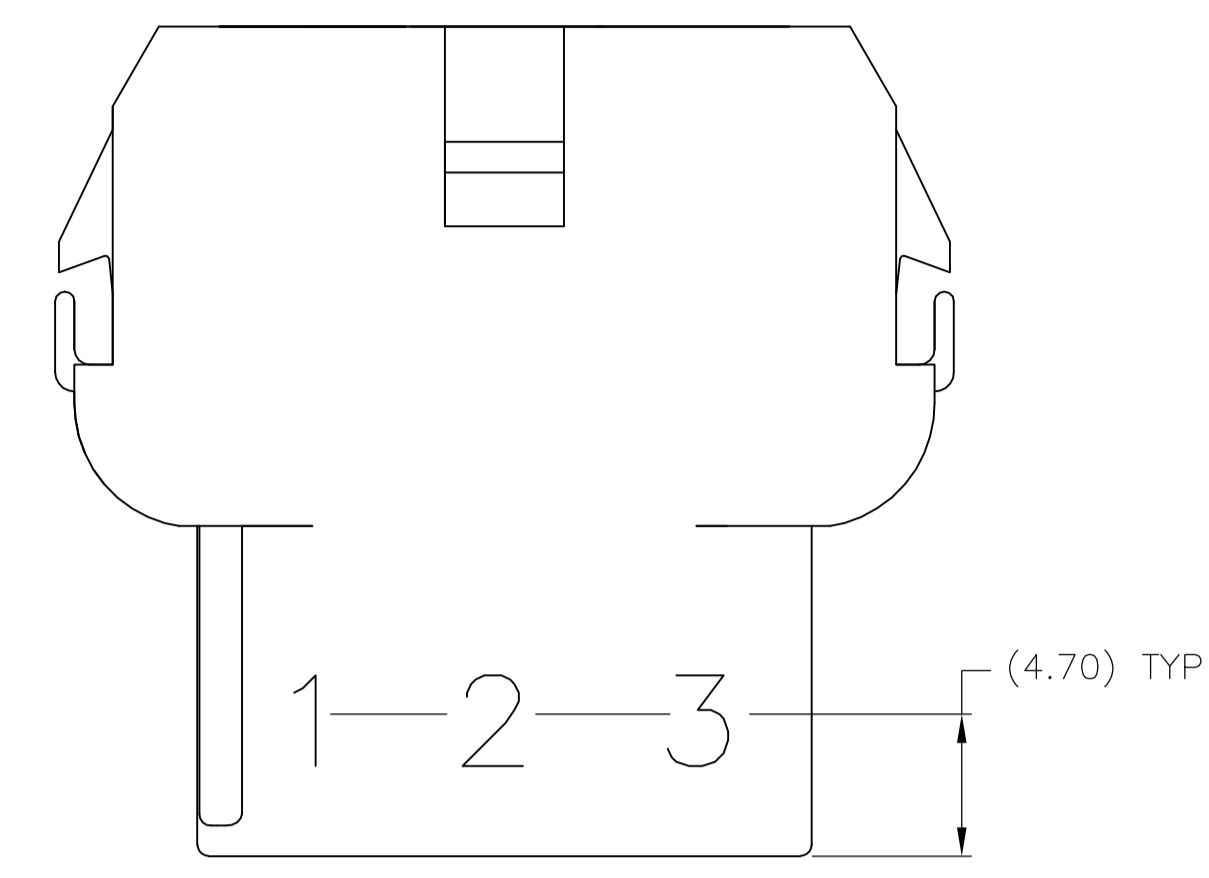
9 SUPERSEDED BY 1-480709-0

THIS DRAWING IS A CONTROLLED DOCUMENT.

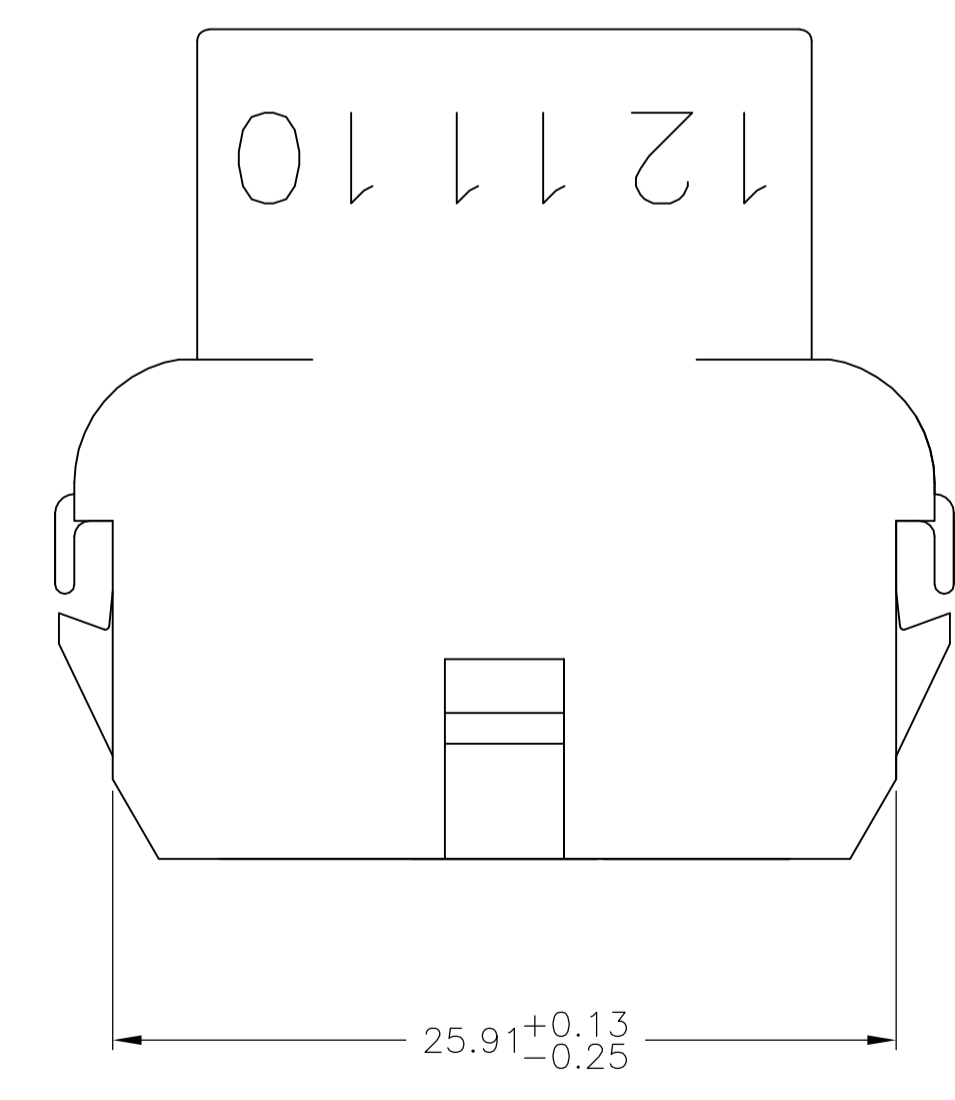
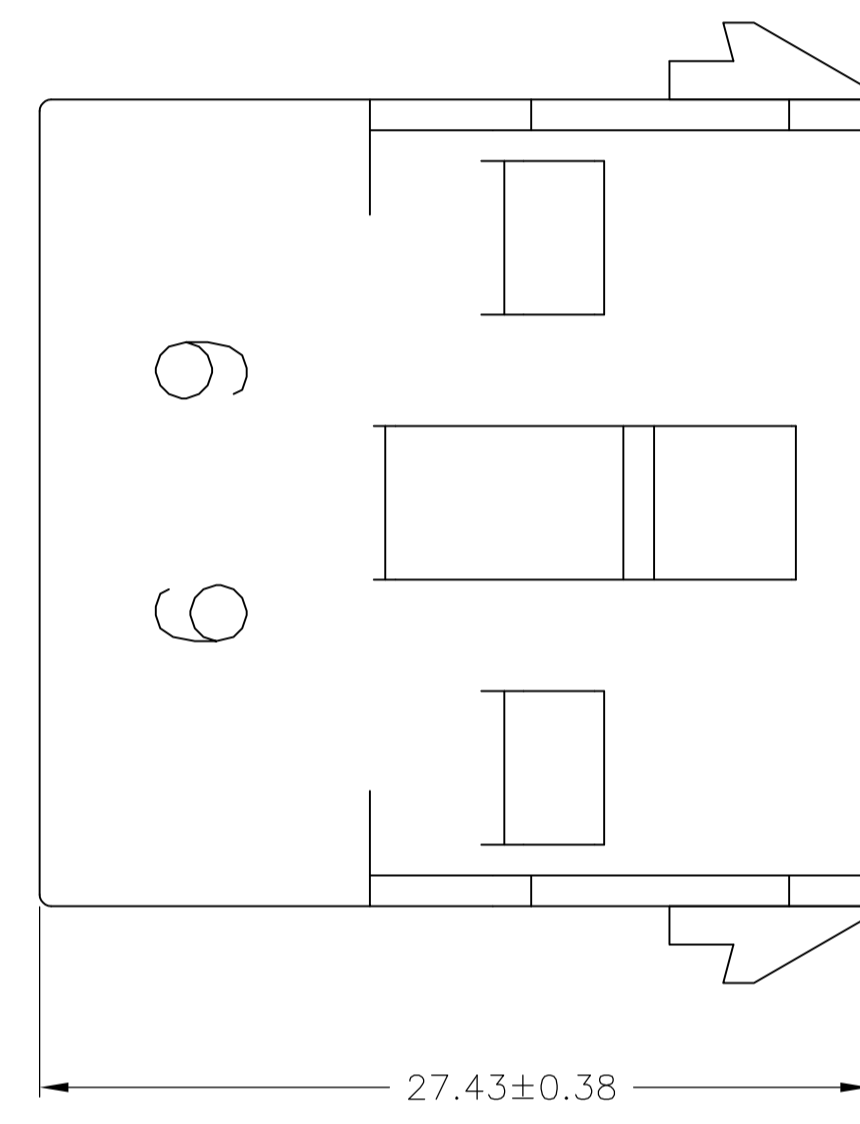
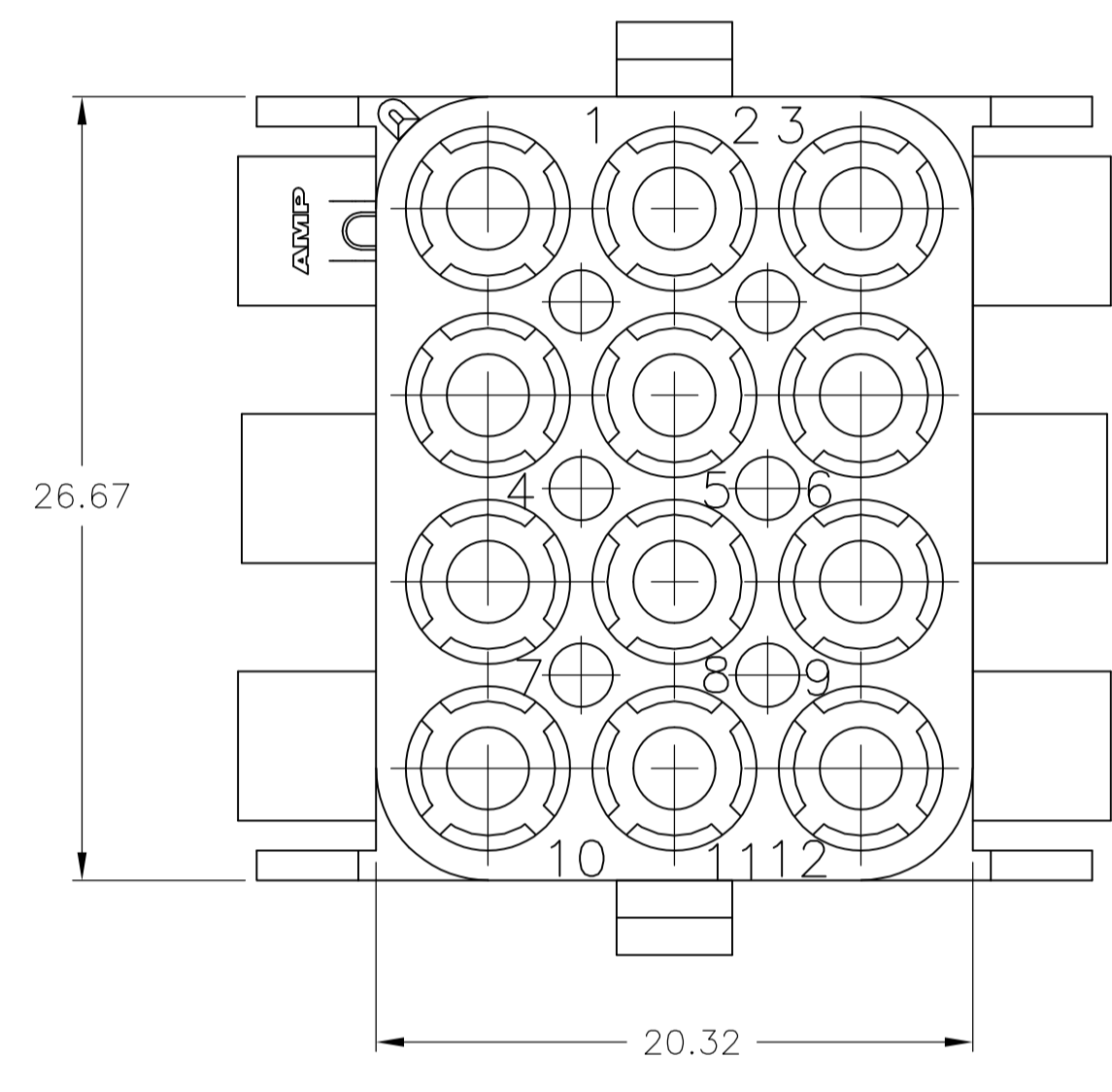
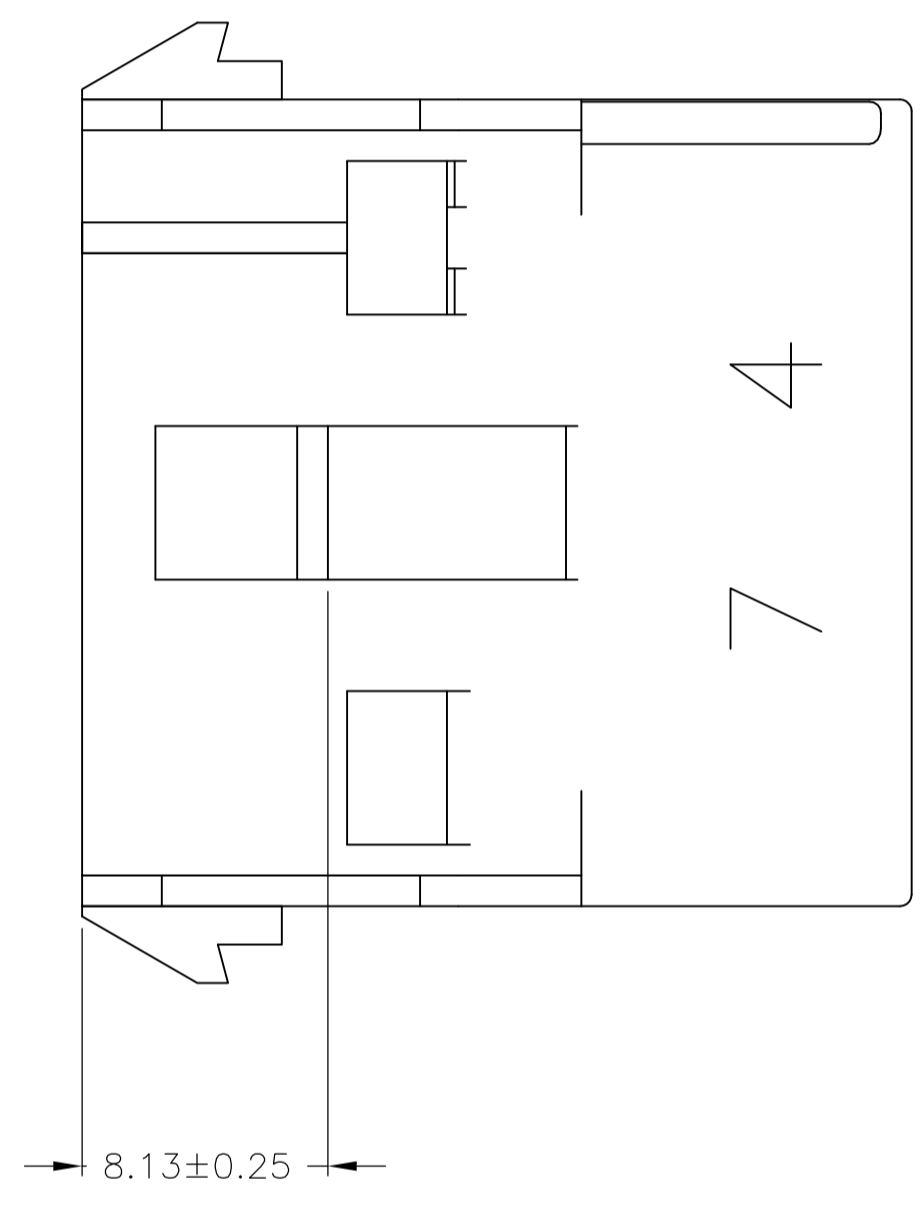
DIMENSIONS: mm	TOLERANCES UNLESS OTHERWISE SPECIFIED: 0. PLC ± - 1. PLC ± - 2. PLC ± 0.13 3. PLC ± - 4. PLC ± - ANGLES ± 0°30'	DIN K. WHITAKER 29JUL2004 CHK S. RIDGILL 29JUL2004 APPV S. RIDGILL 29JUL2004	Tyco Electronics Corporation Harrisburg, PA 17105-3608
MATERIAL NYLON, UL94V-2	FINISH -	NAME S. RIDGILL 29JUL2004	SIZE A1 00779 C=480709
CUSTOMER DRAWING		RESTRICTED TO	SCALE 4:1 SHEET 1 OF 2 REV AL1

METRIC

LOC		DIST		REVISIONS			
P	LTR	DESCRIPTION	DATE	DN	APVD		
CM	00	SEE SHEET 1					



1. STAMP NUMBERS 3.18 HIGH AT WIRE END OF HOUSING (12 POINT DAVID TYPE); CLARIFICATION MARKS UNDER THE 6 & 9.
2. CHARACTERS TO BE STAMPED ON HOUSING IN A MANNER AS TO BE READ FROM WIRE END ONLY.
3. VIOLET, BLACK, BROWN, AND BLUE COLORED BLOCKS TO BE STAMPED WITH WHITE CHARACTERS. ALL OTHER COLORED BLOCKS TO BE STAMPED WITH BLACK CHARACTERS.



MM	IN	MM	IN
5.08	.200	-	-
4.70	.185	27.43	1.080
3.18	.125	26.67	1.050
0.38	.015	25.91	1.020
0.25	.010	20.32	.800
0.13	.005	8.13	.320

CONVERSION TABLE

NATURAL	2-480709-0
COLOR	PART NO

THIS DRAWING IS A CONTROLLED DOCUMENT.

DIMENSIONS: mm	TOLERANCES UNLESS OTHERWISE SPECIFIED: 0 PLC ± - 1 PLC ± - 2 PLC ± 0.13 3 PLC ± - 4 PLC ± - ANGLES ± 0°30'	FINISH -	MATERIAL NYLON, UL94V-2
----------------	--	----------	-------------------------

**METRIC**

APPROVED: S. RIDGILL	DATE: 29JUL2004	NAME: S. RIDGILL	PRODUCT SPEC: -
APPROVED: K. WHITAKER	DATE: 29JUL2004	NAME: K. WHITAKER	APPLICATION SPEC: -
SIZE: A1	WEIGHT: -	CAGE CODE: 00779	DRAWING NO: 480709
CUSTOMER DRAWING		SCALE: 1:1	SHEET 2 OF 2

Tyco Electronics Corporation  
 Harrisburg, PA 17105-3608  
 CAP, 12 CIRCUIT, UNIVERSAL MATE-N-LOK™  
 RESTRICTED TO