

4

3

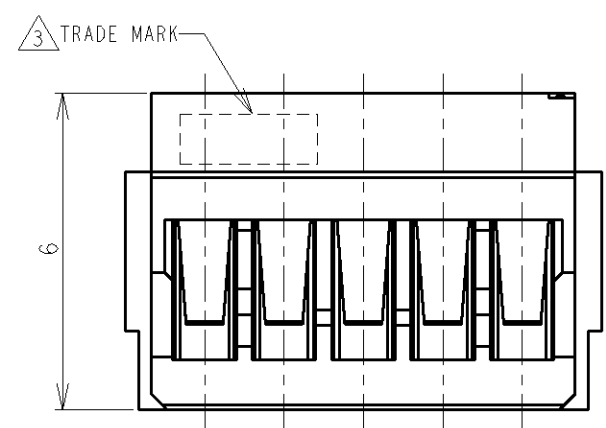
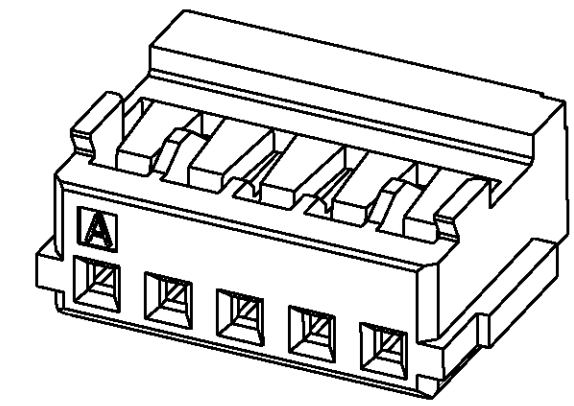
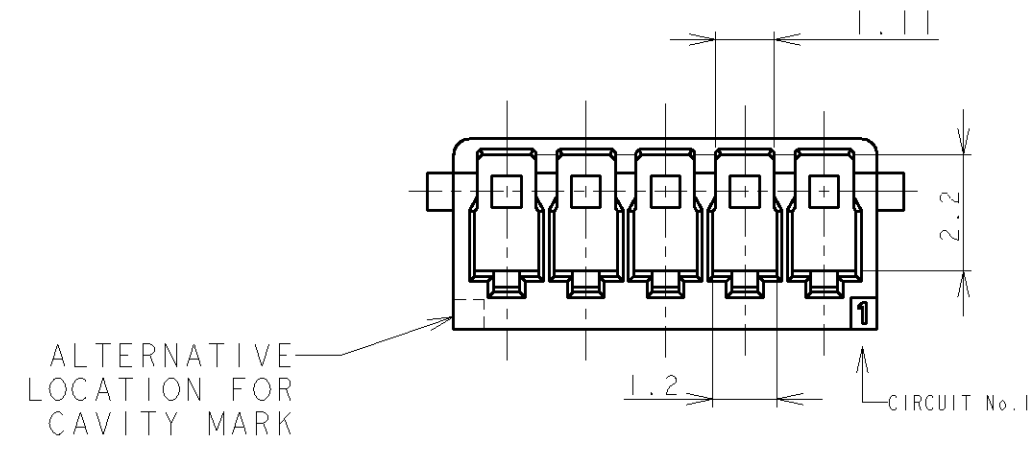
2

1

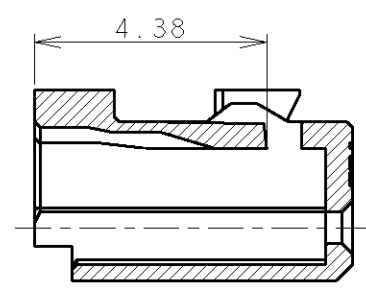
THIS DRAWING IS UNPUBLISHED. RELEASED FOR PUBLICATION .19 .

© COPYRIGHT 19 BY AMP INCORPORATED. ALL RIGHTS RESERVED.

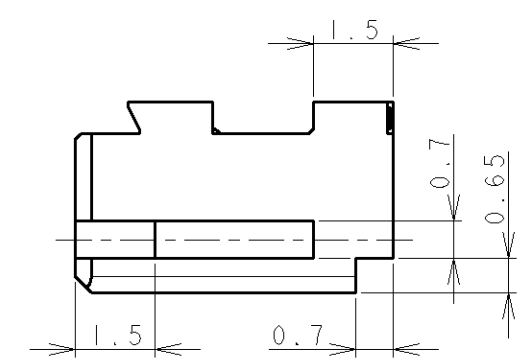
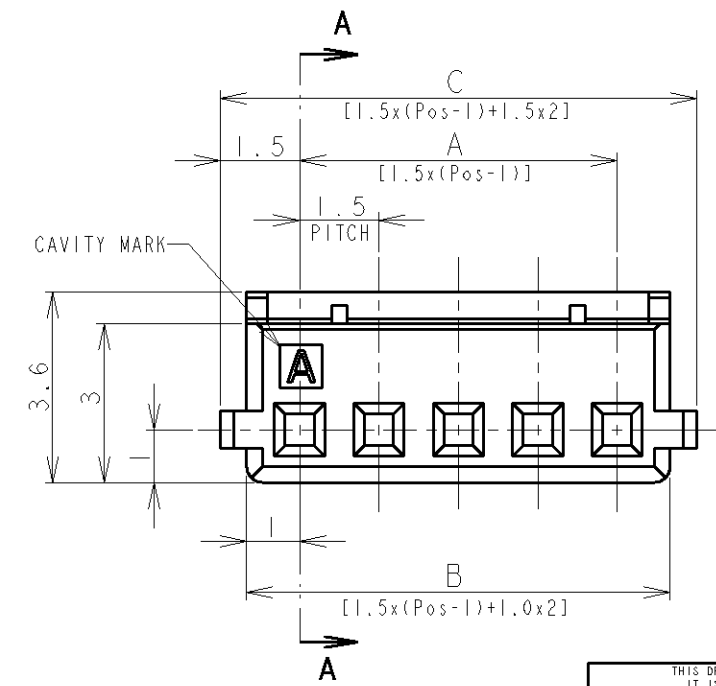
LOC	DIST	REVISIONS			
P	LTR	DESCRIPTION	DATE	DWN	APVD
DY	-	A	REVISED FP00-0386-02	8NOV02	LWY CWL



- NOTES:
1. APPLICABLE WIRE SIZE: AWG#24~#30 (0.2mm²~0.05mm²)
INSULATION DIAMETER: 0.7mm~1.0mm
 2. USE WITH RECEPTACLE CONTACT P/N AWG#24~#28: 84727
- TRADE MARK CAN BE "AMP" OR "TYCO" IN APPROXIMATE LOCATION SHOWN



SECT A-A



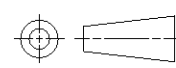

THIS DRAWING IS A CONTROLLED DOCUMENT FOR AMP INCORPORATED. IT IS SUBJECT TO CHANGE AND THE CONTROLLING ENGINEERING ORGANIZATION SHOULD BE CONTACTED FOR THE LATEST REVISION.		DWN WYLEE 23MAY01	AMP MANUFACTURING (SINGAPORE) PTE. LTD.		
DIMENSIONS: mm		CHK NG PH			NAME
		APVD WL CHOO	AMP Mini Common Terminated (CT) Connector 1.5mm Pitch HOUSING, CRIMP TYPE		
TOLERANCES UNLESS OTHERWISE SPECIFIED		PRODUCT SPEC	SIZE	CAGE CODE	DRAWING NO
0 PLC ±		108-5575	A3	00779	C-84726
1 PLC ±		APPLICATION SPEC	SCALE 7:1 SHEET 1 OF 2 REV A		
2 PLC ±		114-51009	CUSTOMER DRAWING		
3 PLC ±		WEIGHT			
4 PLC ±					
ANGLES ±					
FINISH					
MATERIAL 66NYLON UL94-V0					

LOC DY	DIST -	REVISIONS			
P	LTR	DESCRIPTION	DATE	DWN	APVD

0.30	31.5	30.5	28.5	20	8-84726-0	2-84726-0
0.29	30.0	29.0	27.0	19	7-84726-9	1-84726-9
0.27	28.5	27.5	25.5	18	7-84726-8	1-84726-8
0.26	27.0	26.0	24.0	17	7-84726-7	1-84726-7
0.24	25.5	24.5	22.5	16	7-84726-6	1-84726-6
0.23	24.0	23.0	21.0	15	7-84726-5	1-84726-5
0.21	22.5	21.5	19.5	14	7-84726-4	1-84726-4
0.20	21.0	20.0	18.0	13	7-84726-3	1-84726-3
0.19	19.5	18.5	16.5	12	7-84726-2	1-84726-2
0.17	18.0	17.0	15.0	11	7-84726-1	1-84726-1
0.16	16.5	15.5	13.5	10	7-84726-0	1-84726-0
0.14	15.0	14.0	12.0	9	6-84726-9	84726-9
0.13	13.5	12.5	10.5	8	6-84726-8	84726-8
0.13	12.0	11.0	9.0	7	6-84726-7	84726-7
0.10	10.5	9.5	7.5	6	6-84726-6	84726-6
0.09	9.0	8.0	6.0	5	6-84726-5	84726-5
0.07	7.5	6.5	4.5	4	6-84726-4	84726-4
0.06	6.0	5.0	3.0	3	6-84726-3	84726-3
0.04	4.5	3.5	1.5	2	6-84726-2	84726-2
WEIGHT (g)	C	B	A	Pos	BLUE	WHITE
	DIMENSIONS				P/N	

THIS DRAWING IS UNPUBLISHED. RELEASED FOR PUBLICATION .19

ALL RIGHTS RESERVED. BY AMP INCORPORATED. © COPYRIGHT 19

DIMENSIONS: mm TOLERANCES UNLESS OTHERWISE SPECIFIED: 0 PLC ± 1 PLC ± 2 PLC ± 3 PLC ± 4 PLC ± ANGLES ± 	DWN WYLEE	MATERIAL	SEE SHEET 1 OF 2	FINISH	SEE SHEET 1 OF 2
	CHK NG PH	 AMP MANUFACTURING (SINGAPORE) PTE. LTD.			
	APVD WL CHOO				
	PRODUCT SPEC 108-5575	NAME AMP Mini Common Terminated (CT) Connector 1.5mm PITCH HOUSING FOR CRIMP TYPE			
APPLICATION SPEC 114-51009	SIZE A4	CAGE CODE 00779	DRAWING NO C=84726	RESTRICTED TO	
WEIGHT SEE TABLE	CUSTOMER DRAWING		SCALE	NON	SHEET 2 OF 2 REV A