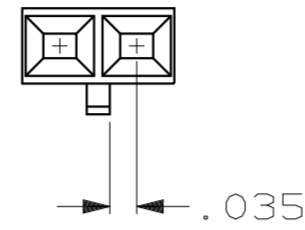
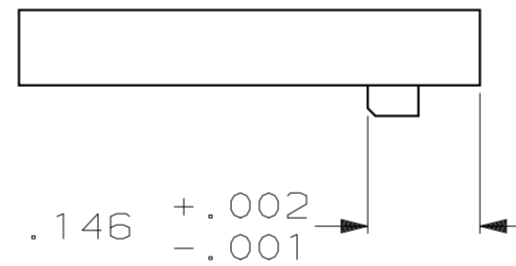
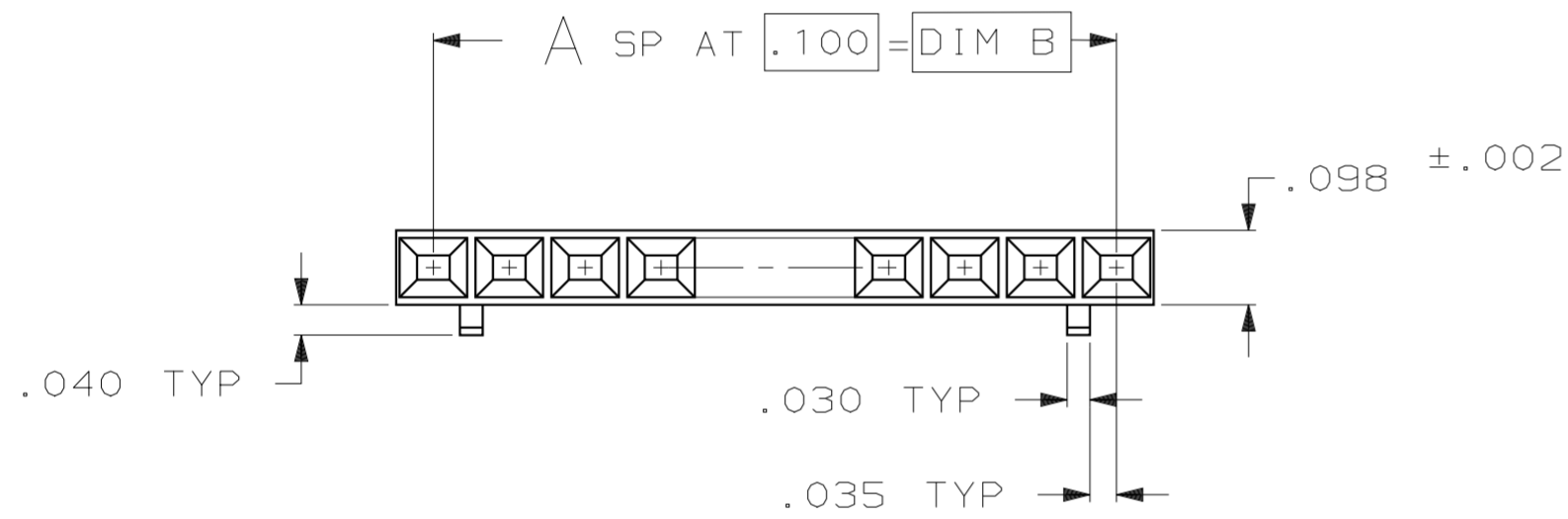
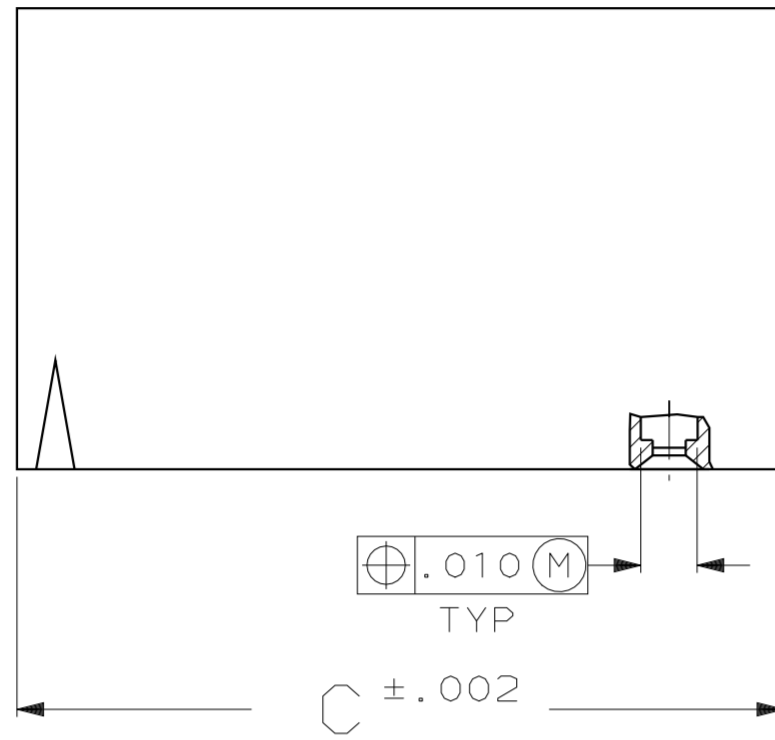


THIS DRAWING IS UNPUBLISHED. RELEASED FOR PUBLICATION, 19 .
 © COPYRIGHT 19 BY AMP INCORPORATED, HARRISBURG, PA. ALL INTERNATIONAL RIGHTS RESERVED. AMP PRODUCTS MAY BE COVERED BY U.S. AND FOREIGN PATENTS AND/OR PATENTS PENDING.

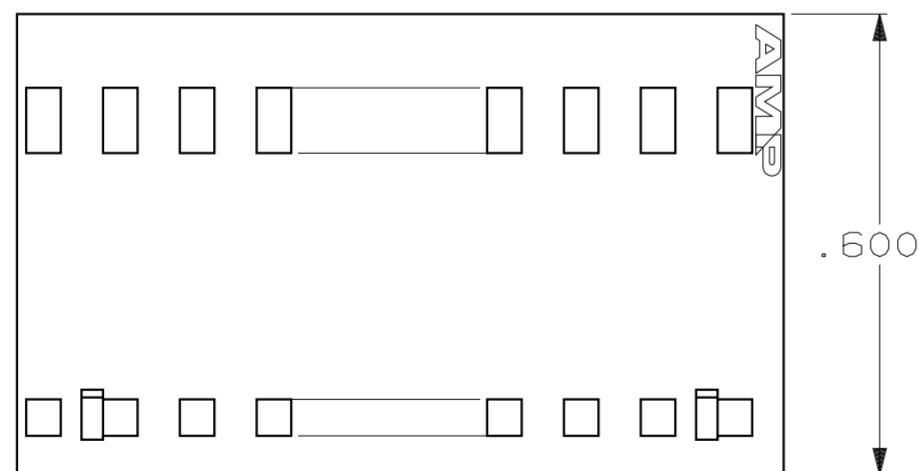
LOC	DIST	P	F	ZONE	LTR	DESCRIPTION	DATE	APPROVED
AD	39					RELEASED #2700	12-21-88	-
						REV LOC & DIST AD-4171	3-90	BF
						REV PER AD-4682	5-17-90	-
						OBS PER 0010-0833-93	12-93	JG
						REV PER 0010-1290-93	2-94	JG
						REV PER 0010-0782-93	2-16-94	JG
						REV PER 0010-1884-93	2-16-94	JG
						REV PER 0010-0374-94	3-24-94	JG



DETAIL FOR -1 ONLY
(2 POSITION)



C	B	A	NO OF POSN	PART NUMBER
2.498	2.400	24	25	2-104503-4
2.398	2.300	23	24	2-104503-3
1.998	1.900	19	20	1-104503-9
1.598	1.500	15	16	1-104503-5
1.498	1.400	14	15	1-104503-4
1.398	1.300	13	14	1-104503-3
1.298	1.200	12	13	1-104503-2
1.198	1.100	11	12	1-104503-1
1.098	1.000	10	11	1-104503-0
.998	.900	9	10	104503-9
.898	.800	8	9	104503-8
.798	.700	7	8	104503-7
.698	.600	6	7	104503-6
.598	.500	5	6	104503-5
.498	.400	4	5	104503-4
.398	.300	3	4	104503-3
.298	.200	2	3	104503-2
.198	.100	1	2	104503-1



UNLESS OTHERWISE SPECIFIED DIMENSIONS ARE IN INCHES TOLERANCES ON : 2 PL DEC ± - 3 PL DEC ± .005 ANGLES ± -	DR 12-21-88 D KEITZER	AMP INCORPORATED Harrisburg, Pa. 17105		
	CHK 12-22-88 H. MOLL			
	MATERIAL: FLAME RETARDANT THERMOPLASTIC; COLOR:BLACK	APPD 12-22-88 C. SINISI	NAME PIN HOUSING, AMPMODU [®] MTE, SINGLE ROW, .100¢, WITH GUIDE RIBS	
	FINISH:	APPD 12-22-88 FL INCHBAUGH	SIZE C	FSCM NO 00779
	PRODUCT SPEC 108-25034	SCALE 4:1	SHEET 1 OF 1	
	APPLICATION SPEC 114-25026			
	WEIGHT -			