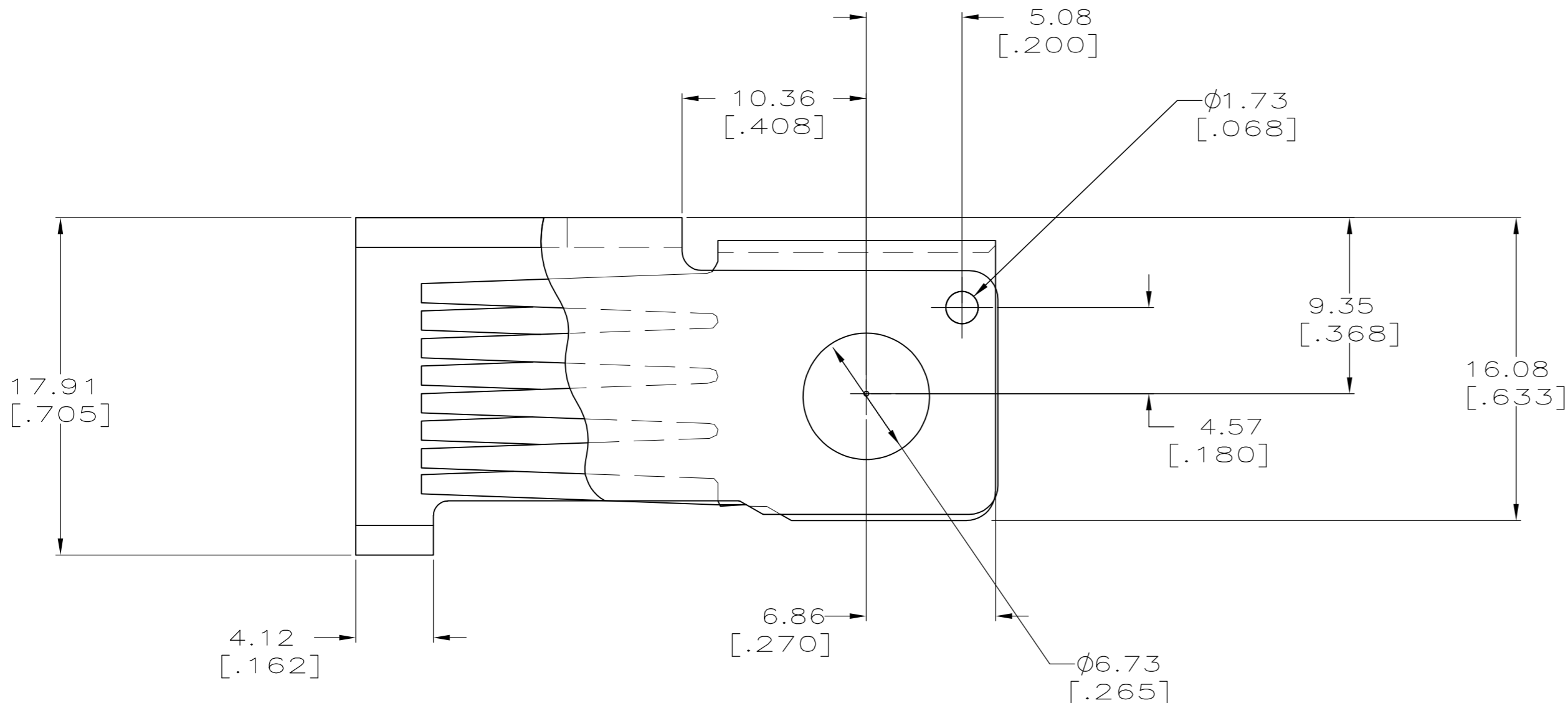
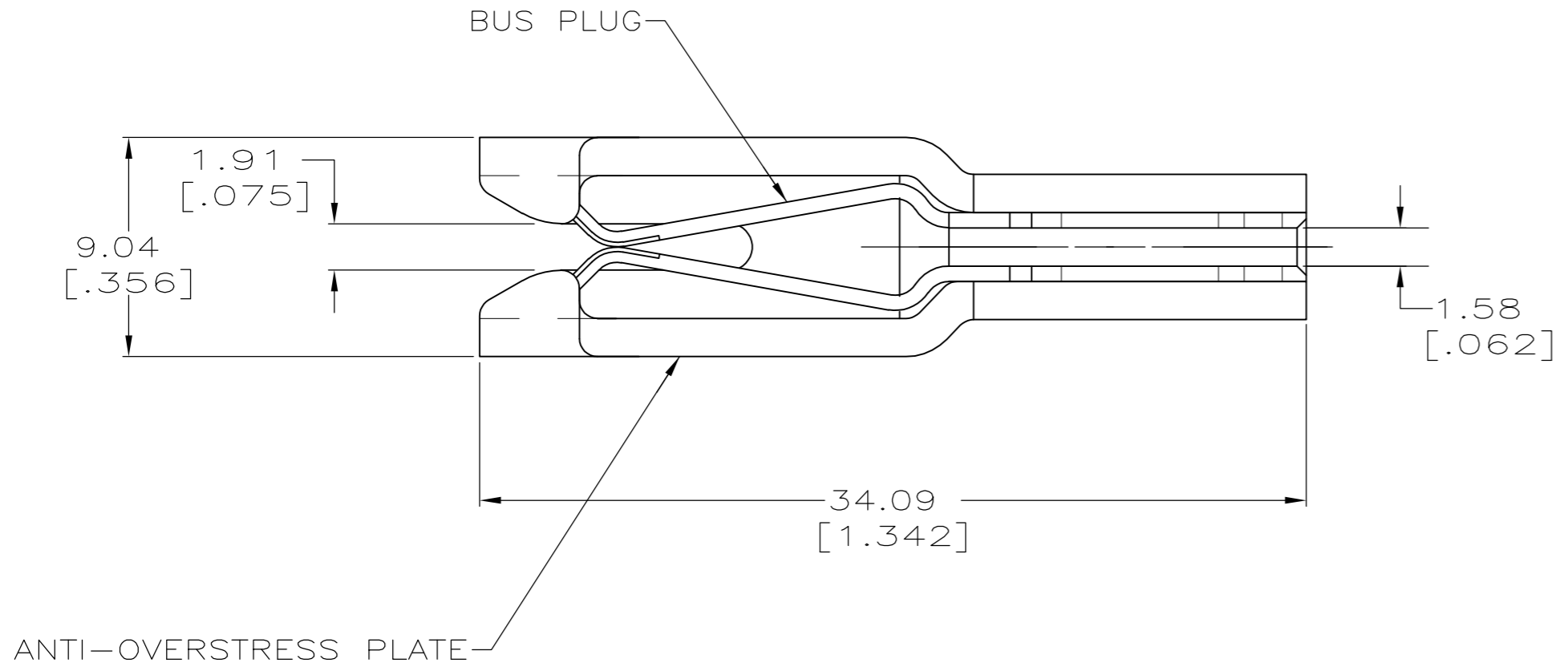


THIS DRAWING IS UNPUBLISHED. RELEASED FOR PUBLICATION 01OCT07 .01OCT07
 © COPYRIGHT BY TYCO ELECTRONICS CORPORATION. ALL RIGHTS RESERVED.

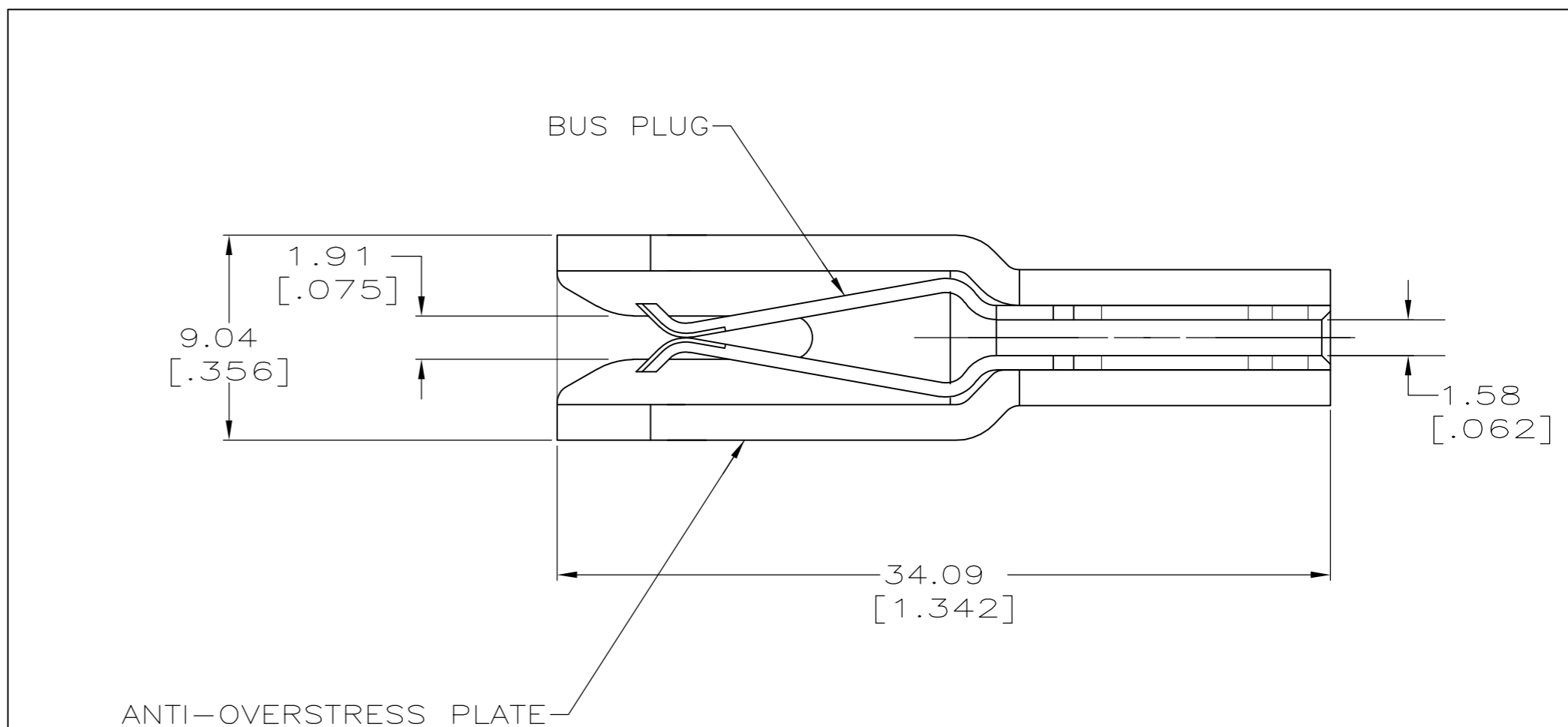
LOC	DIST	REVISIONS					
		P	LTR	DESCRIPTION	DATE	DWN	APVD
00	00	G1		REV PER ECR 09-021219	28SEPT09	JR	MS



1 COMPONENTS UNASSEMBLED IN A SEALED POLY BAG.



PN 104742-1 SHOWN



PN 104742-2 SHOWN

ULTEM, NATURAL	104742-2
PASSMATED STAINLESS STEEL	104742-1
ANTI-OVERSTRESS PLATE	PART NO

THIS DRAWING IS A CONTROLLED DOCUMENT.		DWN J. PATTERSON 01OCT2007	Tyco Electronics Corporation Harrisburg, PA 17105-3608	
DIMENSIONS: INCHES		CHK A. FRANTUM 01OCT07	NAME AMP PDS 062F2 W/GUIDE	
TOLERANCES UNLESS OTHERWISE SPECIFIED:		APVD A. FRANTUM 01OCT07	PRODUCT SPEC	
0 PLC ± -		APPLICATION SPEC		
1 PLC ± -		WEIGHT		
2 PLC ± -		A2 00779 C=104742		
3 PLC ± 0.381 [.015]		SCALE 4:1 SHEET 1 of 1 REV G1		
4 PLC ± -		RESTRICTED TO		
ANGLES ± -		CUSTOMER DRAWING		
MATERIAL BUS PLUG, COPPER ALLOY		FINISH BUS PLUG, Ag/Ni OVERSTRESS PLATE-NONE		