

Please note that the data given here has been taken from the online catalog. For comprehensive information and data, please refer to the user documentation at <http://www.download.phoenixcontact.com>. The General Terms and Conditions of Use apply to Internet downloads.

## ► Extract from the online catalog



DIN rail, material: Steel, perforated, height 15 mm, width 35 mm, length: 2 m

Order No.	1201730
Ord designation	NS 35/15 PERF 2000MM
EAN	4017918017460
Pack	1 Meter
Customs tariff	72287010
Catalog page information	Page 441 (CL-2005)

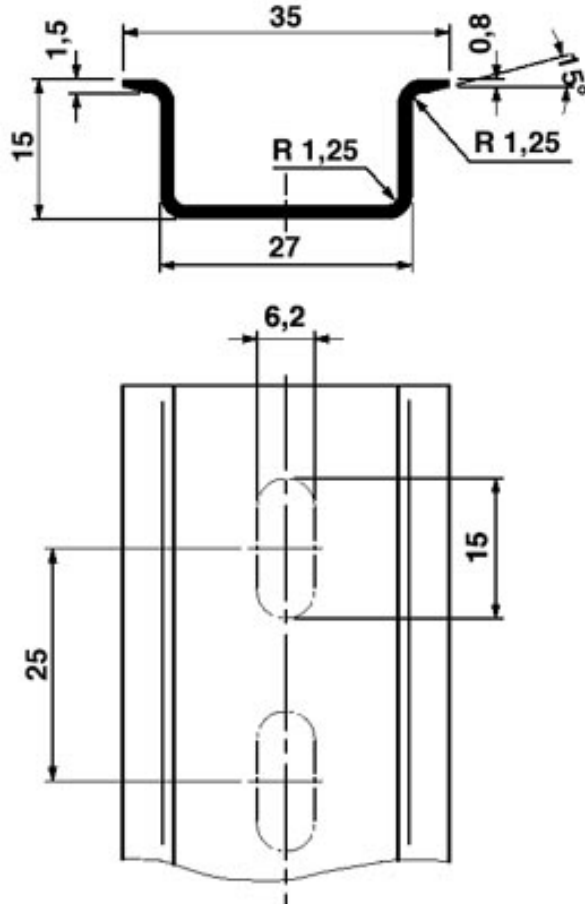
## ► Technical data

### General data

Height	15 mm
Length	2000 mm
Width	35 mm
Material	Steel
Color	yellow chromated

## ► Drawings

### Dimensioned drawing





---

► **Address**

---

PHOENIX CONTACT Inc., USA  
586 Fulling Mill Road  
Middletown, PA 17057  
USA  
Phone (800) 888-7388  
Fax (717) 944-1625  
<http://www.phoenixcon.com>  
Phoenix Contact  
Technical modifications reserved;