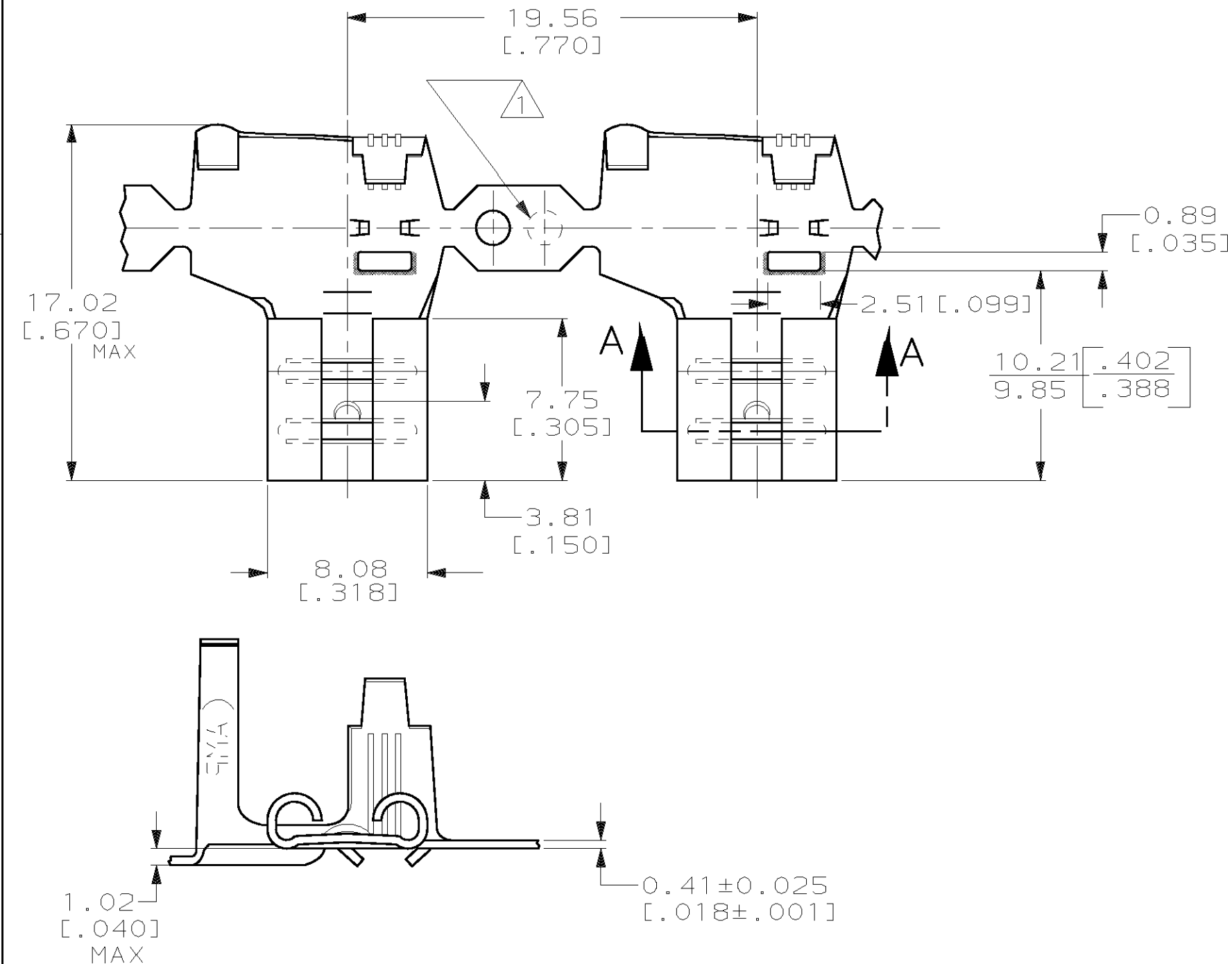
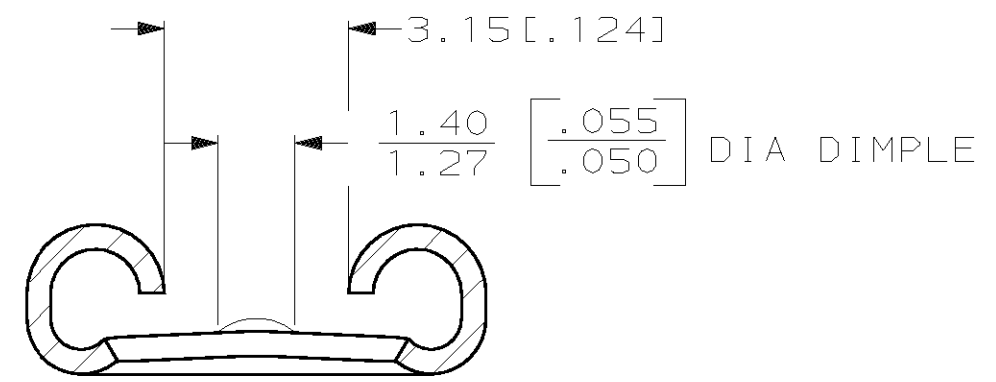


THIS DRAWING IS UNPUBLISHED. RELEASED FOR PUBLICATION, 19
 © COPYRIGHT 19 BY AMP INCORPORATED. ALL INTERNATIONAL RIGHTS RESERVED.

LOC	DIST	P	F	REVISIONS			DATE	APPD
AF	50			ZONE	LTR	DESCRIPTION		
					C	REL PER 063A-0254-01	06APR01	JR/PD



- 1 SINGLE OR DOUBLE PILOT HOLE OPTIONAL
- 2 MATING TAB THK IS 0.81±0.025 [.032±.001].
- 3 INSULATION SIZE IS 2.79-5.33 [.110-.210] DIA.
- 4 WIRE SIZE IS [#18-#12] AWG.



SECTION A-A
SCALE 8:1

1217403-1
PART NO

DO NOT SCALE PRINT. UNLESS SPECIFIED DIMENSIONS IN INCHES TOLERANCES ON: 2 PLC DEC ± - 3 PLC DEC ± .015 ANGLES ± -	DR 02MAY00 JR RUTH	AMP INCORPORATED Harrisburg, Pa. 17105
	CHK 02MAY00 MS FEHER	
	APPD 02MAY00 P DESANTIS	
	APPD 02MAY00 P DESANTIS	
MATERIAL #3H PH05 BRZ	PRODUCT SPEC -	NAME RECEPTACLE, FASTON, FLAG, .250 SERIES
FINISH 0.002032 [.000080] MIN TIN	APPLICATION SPEC -	SIZE B
	WEIGHT -	CAGE CODE 00779
		DRAWING NO 1217403
		SCALE 4:1
		SHEET 1 OF 1