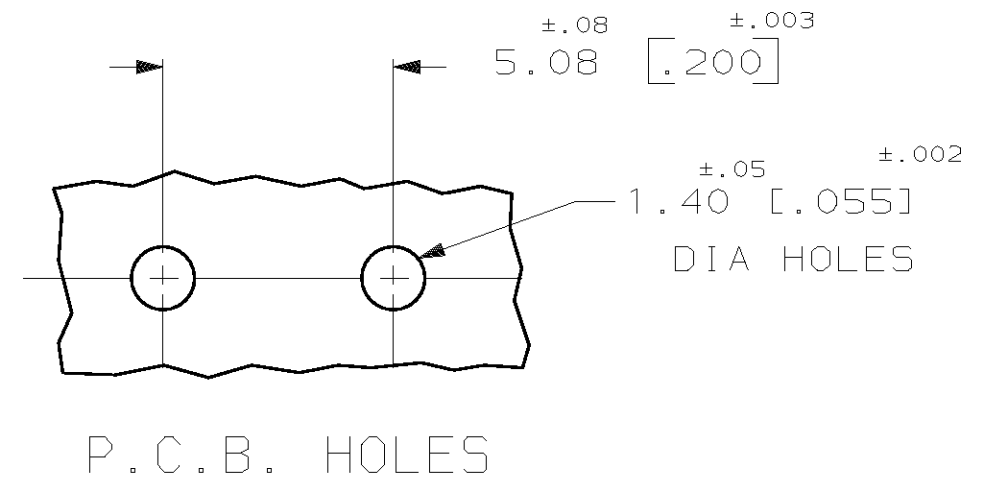
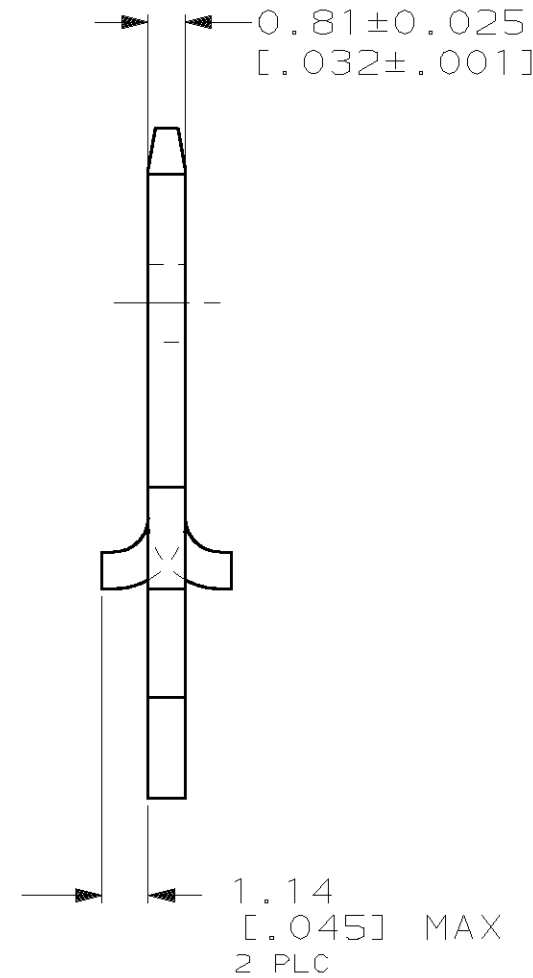
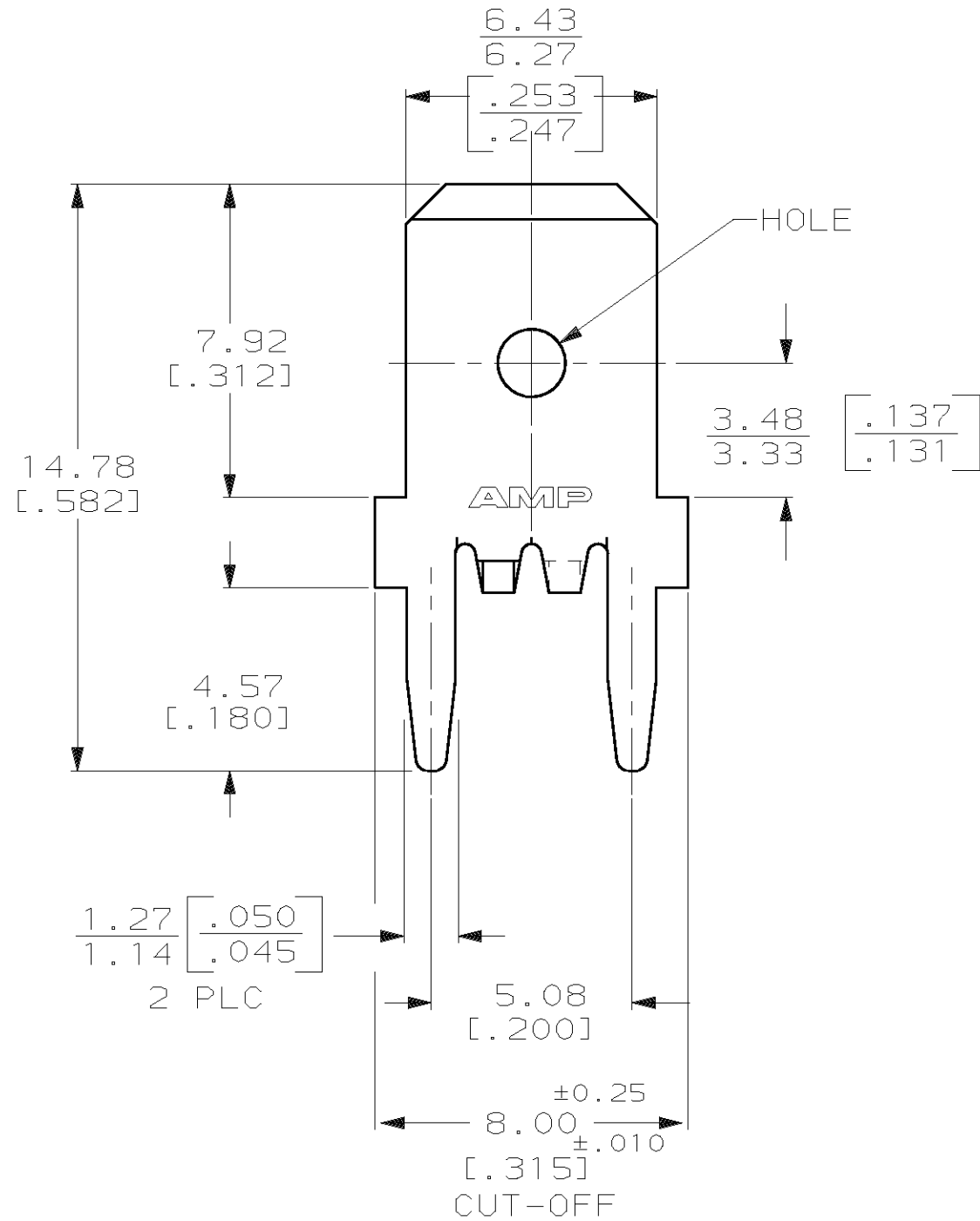


THIS DRAWING IS UNPUBLISHED. RELEASED FOR PUBLICATION, 19
 © COPYRIGHT 19 BY AMP INCORPORATED. ALL INTERNATIONAL RIGHTS RESERVED.

LOC	DIST	P	F	REVISIONS				
				ZONE	LTR	DESCRIPTION	DATE	APPD
AF	50				B	REL PER 0G3A-0258-02	10MAY02	JR/GP

- 1 TIN PLATE 0.00254 [.000100] MIN OVER 0.00127 [.000050] MIN THK NICKEL.
- 2 SUPPLIED IN LOOSE PIECE



1217421-1
PART NO

DO NOT SCALE PRINT. UNLESS SPECIFIED DIMENSIONS IN mm [INCHES] TOLERANCES ON: 2 PLC DEC ± 0.25 [.010] 3 PLC DEC ± - ANGLES ± -		DR 23MAY00 JR RUTH	AMP AMP Incorporated Harrisburg, PA 17105-3608
MATERIAL 082 BRASS		CHK 23MAY00 MS FEHER	
FINISH 1		APPD 23MAY00 G PORTA	NAME TAB, P.C. BOARD, 6.35 [.250] SERIES
		APPD 23MAY00 G PORTA	SIZE B
		PRODUCT SPEC -	CAGE CODE 00779
		APPLICATION SPEC 114-2115	DRAWING NO C=1217421
		WEIGHT -	SCALE 6:1
			SHEET 1 OF 1

THIS DRAWING IS A CONTROLLED DOCUMENT FOR AMP INCORPORATED. IT IS SUBJECT TO CHANGE AND THE CONTROLLING ENGINEERING ORGANIZATION SHOULD BE CONTACTED FOR THE LATEST REVISION.