

4

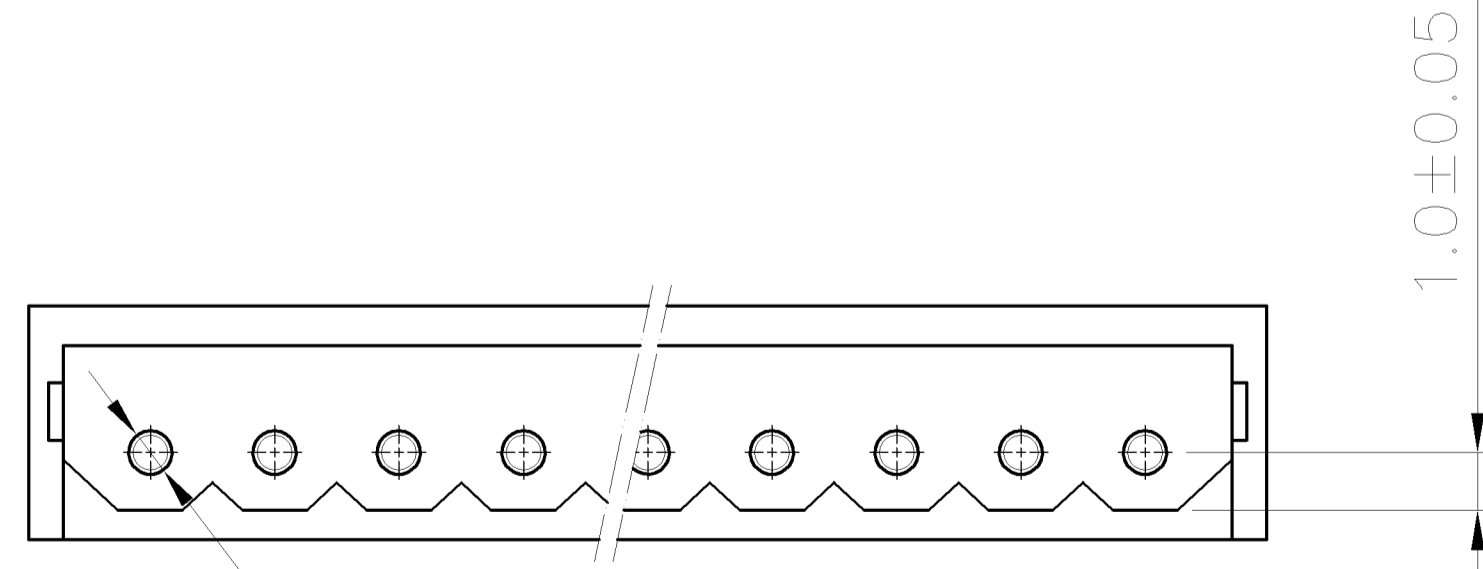
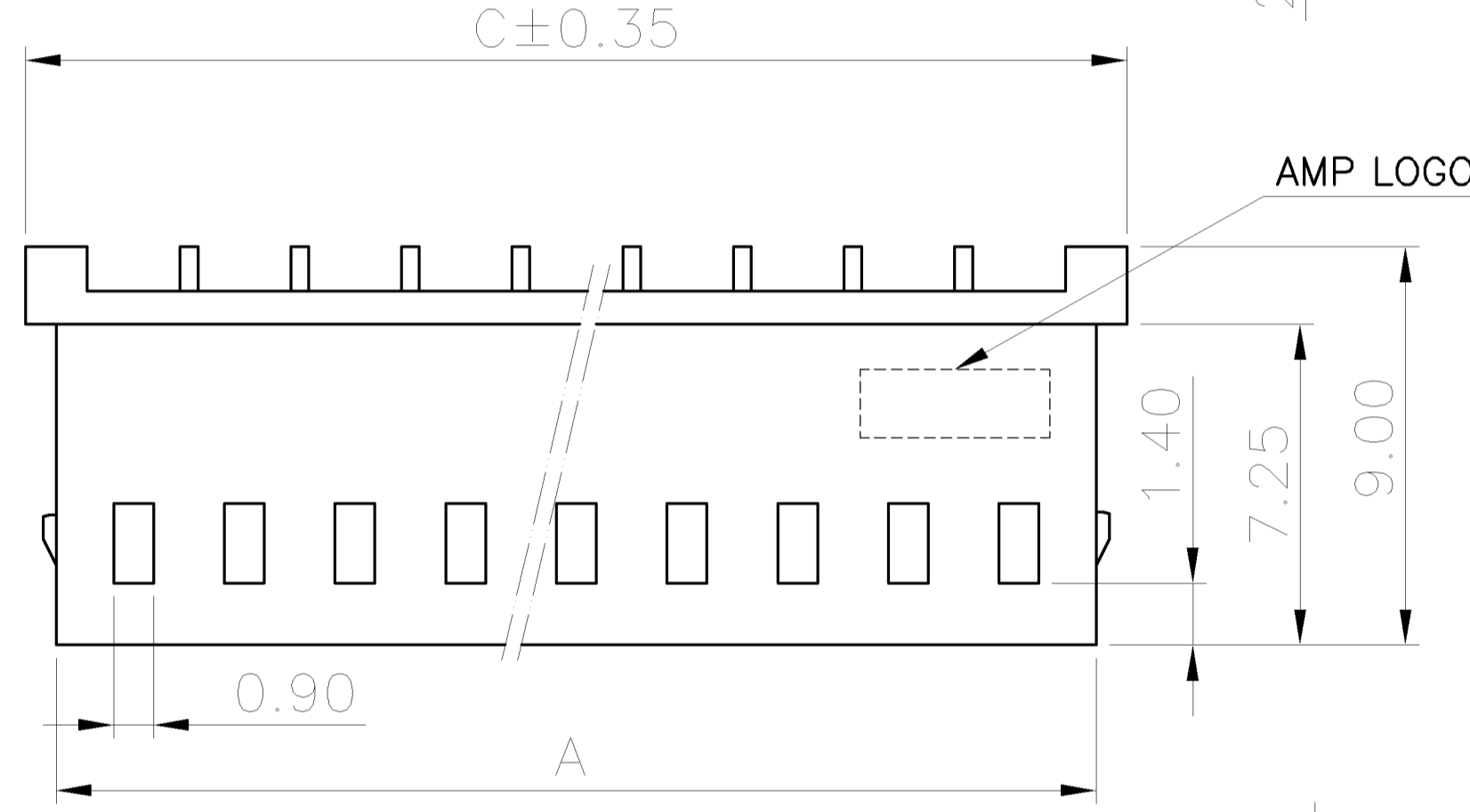
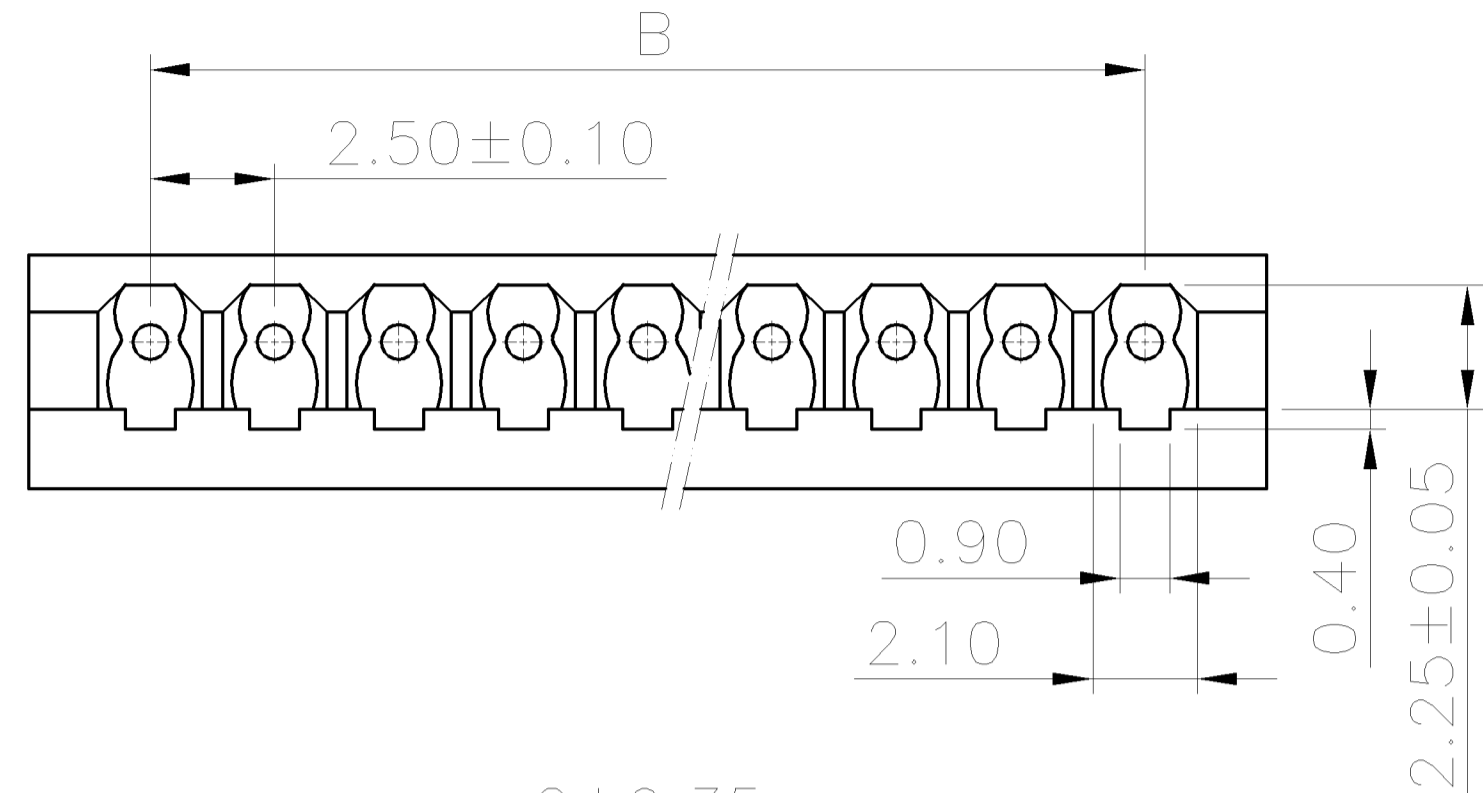
3

2

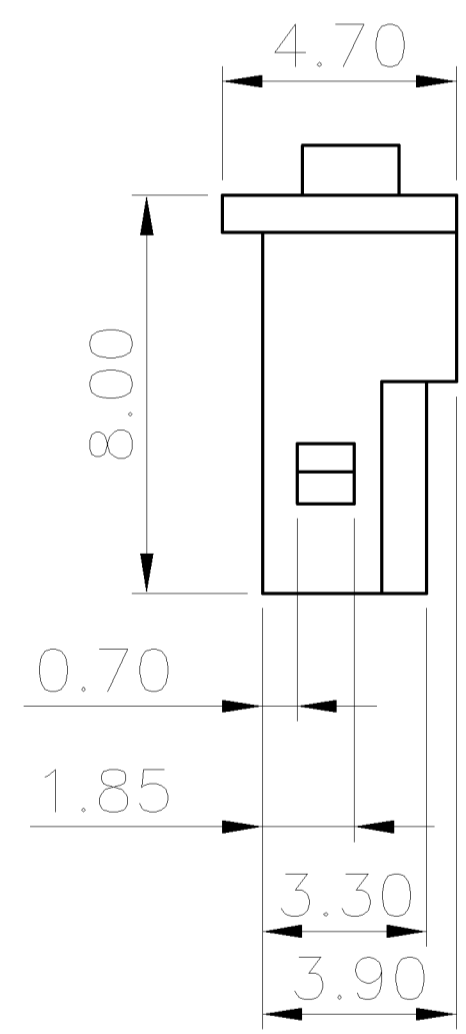
1

THIS DRAWING IS UNPUBLISHED. RELEASED FOR PUBLICATION AUG ,2006.
 © COPYRIGHT 2009 BY TYCO ELECTRONICS CORPORATION. ALL RIGHTS RESERVED.

LOC	DIST	REVISIONS					
DW	—	P	LTR	DESCRIPTION	DATE	DWN	APVD
			B2	REVISED (ECR-10-008154)	15APR10	SC	WK



NOTE:
 1. MATERIAL :
 HOUSING : THERMOPLASTIC UL94V-2, IVORY COLOR.
 2. OBSOLETE PARTS: OBSOLETE CIS STREAMLINING PER D.RENAUD/D.SINISI



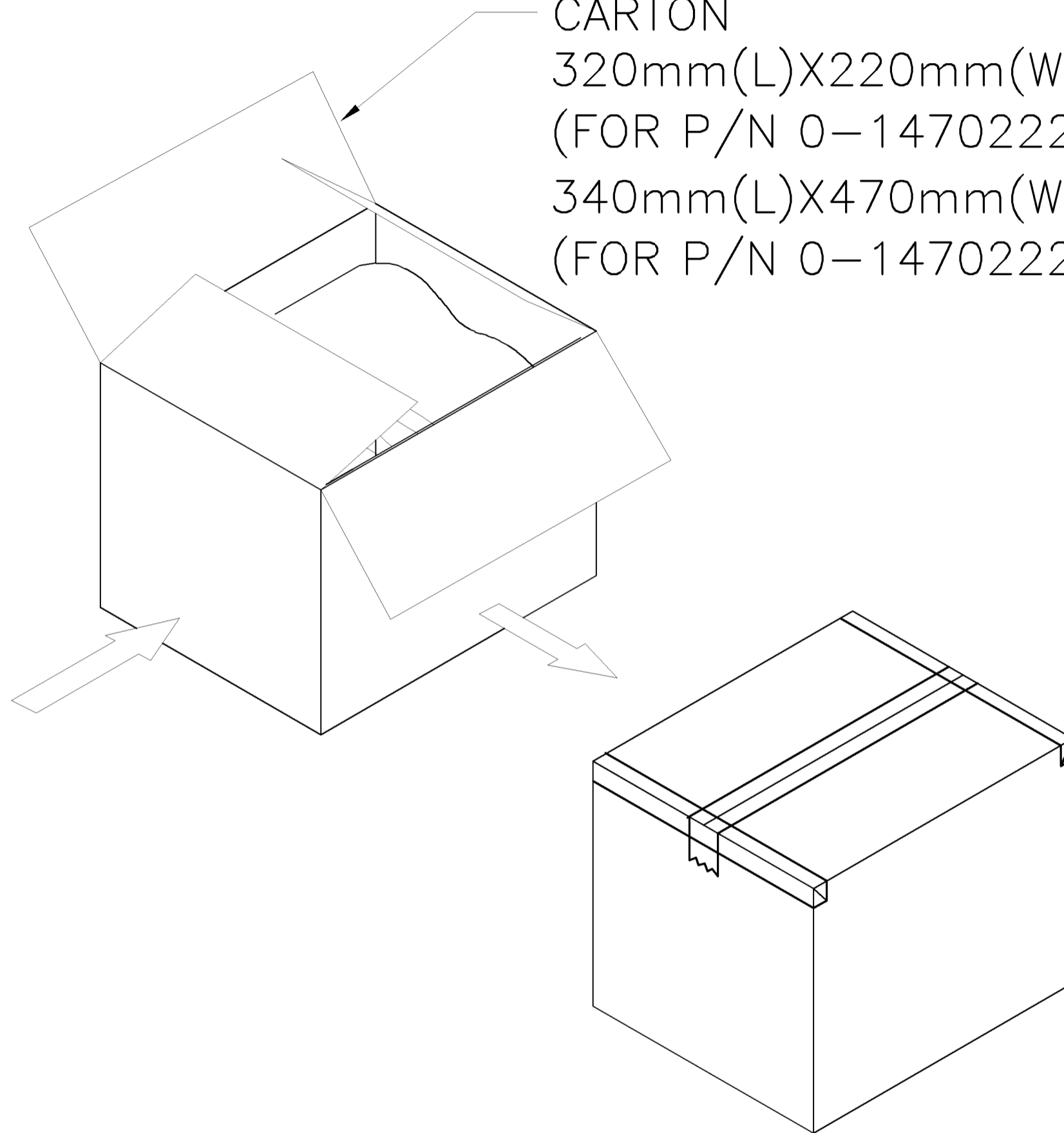
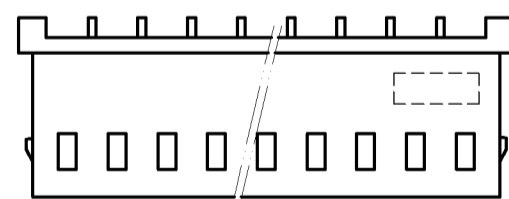
OBSOLETE	39.9	35.00 ±0.15	38.3	15	1-1470222-5
	37.4	32.50 ±0.15	35.8	14	1-1470222-4
	34.9	30.00 ±0.15	33.3	13	1-1470222-3
	32.4	27.50 ±0.15	30.8	12	1-1470222-2
	29.9	25.00 ±0.15	28.3	11	1-1470222-1
	27.4	22.50 ±0.15	25.8	10	1-1470222-0
	24.9	20.00 ±0.10	23.3	9	0-1470222-9
	22.4	17.50 ±0.10	20.8	8	0-1470222-8
	19.9	15.00 ±0.10	18.3	7	0-1470222-7
	17.4	12.50 ±0.10	15.8	6	0-1470222-6
	14.9	10.00 ±0.10	13.3	5	0-1470222-5
	12.4	7.50 ±0.10	10.8	4	0-1470222-4
	9.9	5.00 ±0.10	8.3	3	0-1470222-3
7.4	2.50 ±0.10	5.8	2	0-1470222-2	
C	B	A	POS.	PART NUMBER	

THIS DRAWING IS A CONTROLLED DOCUMENT.		DWN O. HU 25JUL2003	Tyco Electronics Corporation Taipei, Taiwan	
DIMENSIONS: MM		CHK A. WU 25JUL2003		
TOLERANCES UNLESS OTHERWISE SPECIFIED:		APVD J. CHENG 25JUL2003	NAME	
0 PLC ± 0.5 1 PLC ± 0.2 2 PLC ± 0.10 3 PLC ± 0.05 4 PLC ± - ANGLES ± 3°		PRODUCT SPEC 108-57175	2.5mm PITCH EMIX RCPT CRIMP HOUSING	
MATERIAL SEE NOTE		APPLICATION SPEC 501-57195	SIZE A3	CAGE CODE 00779
FINISH SEE NOTE		WEIGHT — GRAMS	DRAWING NO C-1470222	RESTRICTED TO —
CUSTOMER DRAWING			SCALE —	SHEET 1 OF 2
				REV B2

P	LTR	DESCRIPTION	DATE	DWN	APVD
		SEE SHEET 1.			

CARTON
 320mm(L)X220mm(W)X140mm(H)
 (FOR P/N 0-1470222-2~0-1470222-7)
 340mm(L)X470mm(W)X316mm(H)
 (FOR P/N 0-1470222-8~1-1470222-5)

POLY BAG



15,000	1000	1-1470222-5
20,000	1000	1-1470222-4
20,000	1000	1-1470222-3
25,000	1000	1-1470222-2
25,000	1000	1-1470222-1
30,000	1000	1-1470222-0
35,000	1000	0-1470222-9
40,000	1000	0-1470222-8
8,000	1000	0-1470222-7
10,000	1000	0-1470222-6
12,000	1000	0-1470222-5
15,000	1000	0-1470222-4
20,000	1000	0-1470222-3
25,000	1000	0-1470222-2
APQ (PCS/CARTON)	PPQ (PCS/BAG)	PART NUMBER

THIS DRAWING IS A CONTROLLED DOCUMENT.		DWN	Tyco Electronics Corporation Taipei, Taiwan		
DIMENSIONS: MM		CHK	NAME		
TOLERANCES UNLESS OTHERWISE SPECIFIED:		APVD	2.5mm PITCH EMIX RCPT CRIMP HOUSING		
0 PLC ± -		PRODUCT SPEC	SIZE	CAGE CODE	DRAWING NO
1 PLC ± -		APPLICATION SPEC	A3	00779	C-1470222
2 PLC ± -		WEIGHT	RESTRICTED TO		
3 PLC ± -			CUSTOMER DRAWING		
4 PLC ± -			SCALE	SHEET	REV
ANGLES ± -			-	2 OF 2	B2
FINISH					