



Screw Connectors for Printed Circuit Boards

TYPE 180-A-111

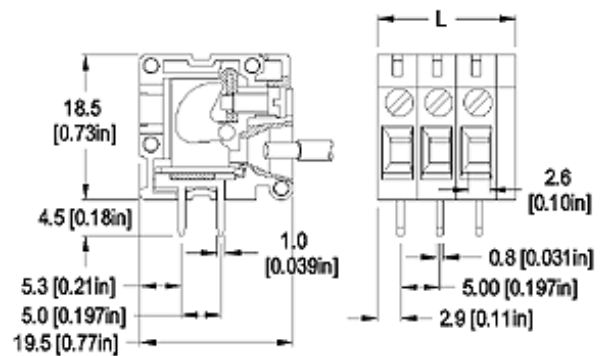
5 mm spacing - 1 to 24 poles



Series	Download PDF	3D Model	Can plug with	How to order	Color specifications	Print
--------	--------------	----------	---------------	--------------	----------------------	-------



RoHS WEEE Pb free compliant



Dimensions: mm (in.)

Length of Connector (L)

$$L = (\text{No. of Poles} \times \text{Center to Center Spacing}) + 2.5 \text{ mm}$$

When locating connector, allow 0.5 mm clearance around it for process-induced variations.

Description

- Horizontal version
- Wire entrance parallel to PC Board
- 2 PCB Pins per pole
- Screw and wire entrance on the same face.

Technical Data

Center to Center Spacing: 5 mm (0.197 in.)

Nominal Cross Section:

2.5 mm² (3874 mils²)

Wire Stripping Length: 9 mm (0.35 in.)

Recommended Hole Diameter in PC Board:

1.4 mm (0.055 in.)

Application

Approval Information

UL File No.E69841

CSA File No.LR24322



Rating	Current(A)	Voltage(V)	Application group	AWG
UL	20	300	B	24-12
UL	10	300	D	24-12
CSA	20	300	B,D,E	26-12

Screw Tightening Torque:

UL: 3.5 lbf·in

CSA: 0.4 Nm

Rated Impulse Withstand Voltage: 2500 V

Material

Excellent for installation within an enclosure enabling access to wire entry and screw from the outside. The profile of the block makes a neat tight fit with the enclosure walls. An offset of 0.5 mm (0.02 in.) deep by 4 mm (0.16 in.) wide, above the screw entry can be mated with correctly sized opening in an enclosure. The opening can be about 14.5 mm (0.57 in.) high by the width of the terminal block, this allows access to the face of the block and its screws and wire entries.

 [Top of page](#)

Molding: Polyamide, self extinguishing UL 94, V-0, color grey

Temperature limits:

Short Time: 140°C (284°F)

Continuous: RTI 105°C (221°F)

Low Limit: -40°C (-40°F)

Comparative Tracking Index: CTI > 600

Oxygen Index Rating: 33%

Clamp and Pressure Plate: Zinc plated blue passivated, steel substrate

Internal Bus with Solder Pins: Tin plated copper alloy

Screw: M2.5, Slotted head, zinc plated blue passivated, steel substrate

Solder Pin: 1.0 mm x 0.8 (0.04 in. x 0.03 in.),

How to order

Item 180-A-111

Options

G05: Gold Plating (5 micro inches)

G30: Gold Plating (30 micro inches)

S30: Silver Plating (30 micro inches)

Note: Plated component: internal bus

180-A-111/

POLES:
01 to 12

[Request sample](#)

[Request quote](#)

Quantity

Accessories

[BST Self Adhesive Marking Strips.](#)

[Consecutively numbered.](#)

[Add to shopping cart](#)