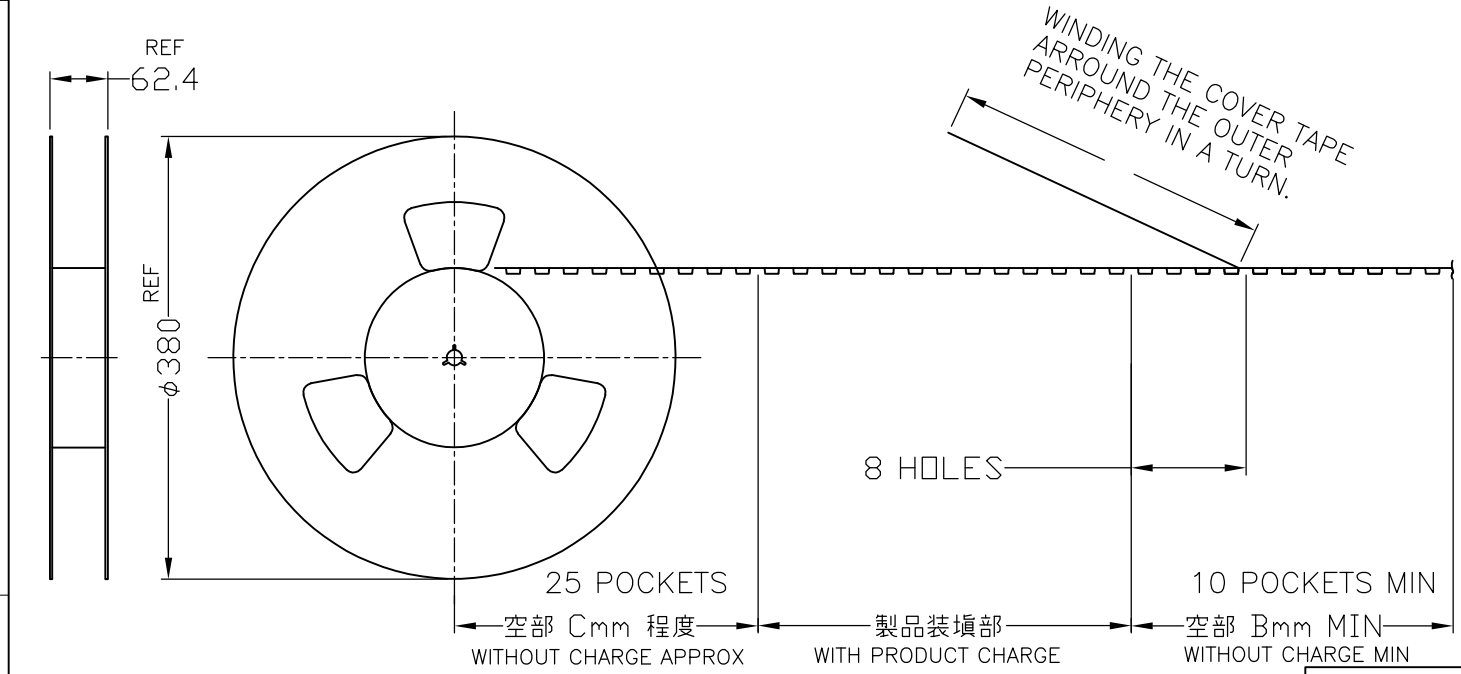
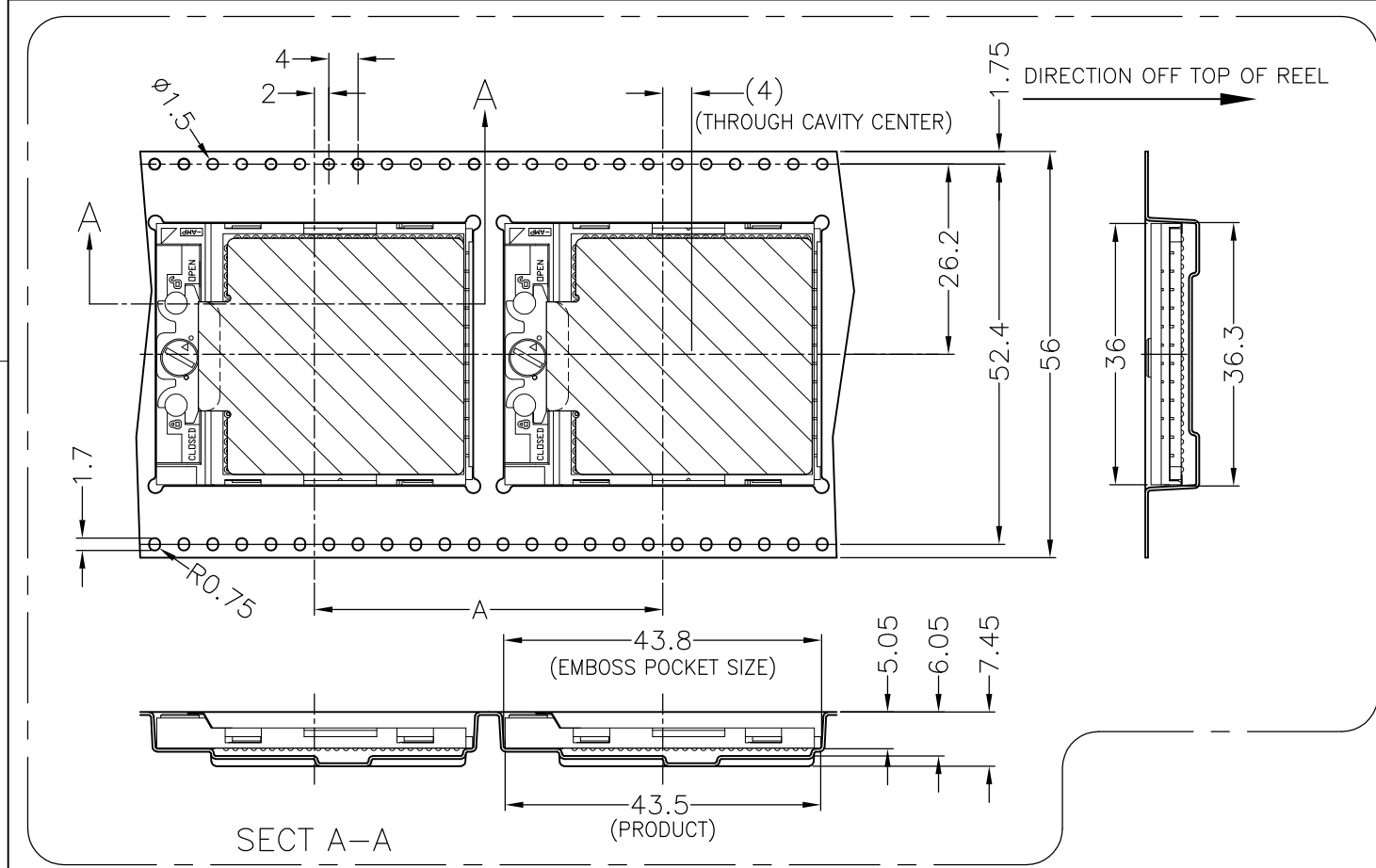


THIS DRAWING IS UNPUBLISHED. RELEASED FOR PUBLICATION 2001.  
 © COPYRIGHT 2001 BY TYCO ELECTRONICS CORPORATION. ALL RIGHTS RESERVED.

LOC	DIST	REVISIONS					
J	.	P	LTR	DESCRIPTION	DATE	DWN	APVD
			K1	REVISED PER ECO-10-000444	19JAN10	KK	HMR



TAPE AND REEL PACKING AS SHOWN

PICK AND PLACE PART DIFFERENCE			
MASK TAPE (50 MICRO)	MASK TAPE (75 MICRO)	CAP	MASK TAPE(CENTER OPENED) (50 MICRO)
WEIGHT:6.4(g)	WEIGHT:6.4(g)	WEIGHT:7.8(g)	WEIGHT:6.4(g)

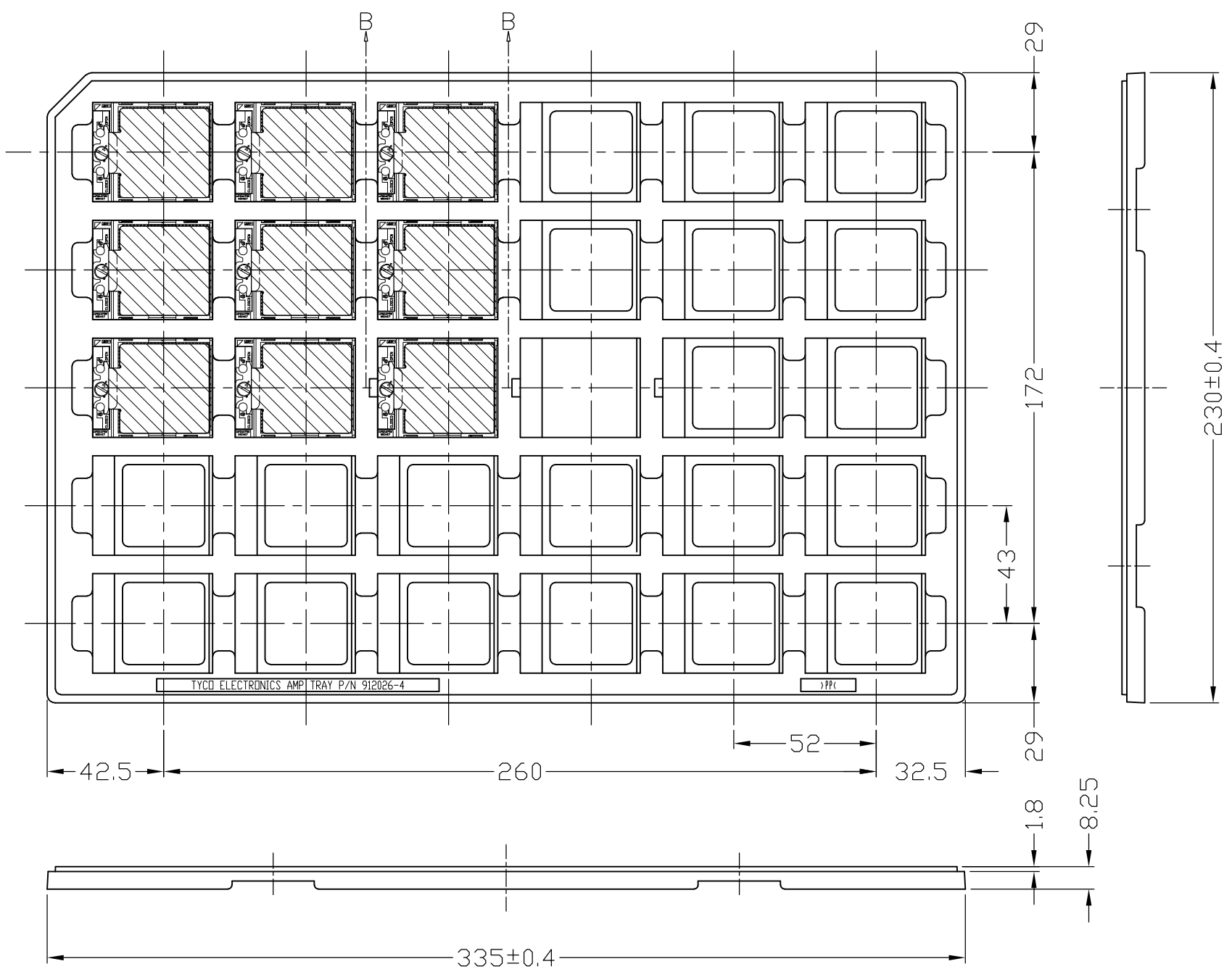
SOCKET TYPE VARIATIONS				
479M STANDARD	478A TYPE STANDARD	478B TYPE STANDARD	478C TYPE STANDARD	479M WITH PEG
479M 180DEG ROTATE	478A TYPE 180DEG ROTATE	478B TYPE 180DEG ROTATE	478C TYPE 180DEG ROTATE	479M WITHOUT PEG

△ MATERIAL  
 EMBOSS TAPE : PET  
 COVER TAPE : PET  
 PROTECTION BAND : PAPER

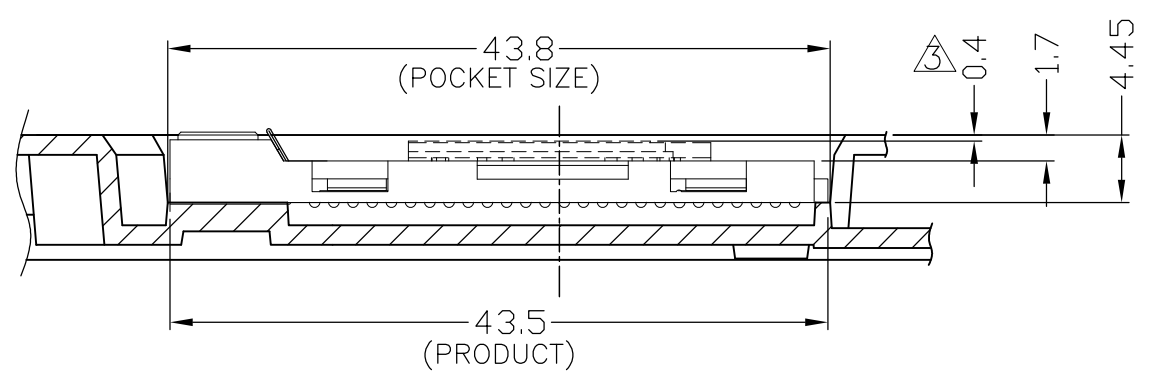
THIS DRAWING IS A CONTROLLED DOCUMENT.		DWN A.KUBO 20JAN03	Tyco Electronics AMP K.K. Kawasaki, Japan	
DIMENSIONS: MM		CHK S.ABE 21JAN03		
TOLERANCES UNLESS OTHERWISE SPECIFIED:		APVD H.SHIRAI 21JAN03	NAME	
0 PLC ± 0.3 1 PLC ± 0.3 2 PLC ± 0.3 3 PLC ± 0.3 4 PLC ± 0.3 ANGLES ± 3°		PRODUCT SPEC 108-5744	PACKING ASSY	
MATERIAL		APPLICATION SPEC-INSTRUCTION SHEET 411-5983	mPGA47X SOCKET LEAD FREE BALL	
FINISH		WEIGHT SEE TABLE	SIZE A3	CAGE CODE 00779
		CUSTOMER DRAWING	DRAWING NO C-1674770	RESTRICTED TO
			SCALE NTS	SHEET 1 OF 3
				REV K1

THIS DRAWING IS UNPUBLISHED. RELEASED FOR PUBLICATION 2001.  
 © COPYRIGHT 2001 BY TYCO ELECTRONICS CORPORATION. ALL RIGHTS RESERVED.

LOC	DIST	REVISIONS			
P	LTR	DESCRIPTION	DATE	DWN	APVD
J	.	SEE SHEET 1	-	-	-



- △ MATERIAL  
PP
- △ IN CASE OF PICK AND PLACE CAP ITEM
- △ OBSOLETE PARTS: OBSOLETE CIS STREAMLINING PER  
D.RENAUD/D.SINISI



SECTION B-B  
SCALE 2:1

TRAY PACKING  
AS SHOWN

THIS DRAWING IS A CONTROLLED DOCUMENT.		DWN		Tyco Electronics Tyco Electronics AMP K.K. Kawasaki, Japan	
DIMENSIONS: MM		CHK		NAME	
TOLERANCES UNLESS OTHERWISE SPECIFIED:		APVD		PACKING ASSY mPGA47X SOCKET LEAD FREE BALL	
0 PLC ± 0.3		PRODUCT SPEC		SIZE	
1 PLC ± 0.3		APPLICATION SPEC		CAGE CODE	
2 PLC ± 0.3		INSTRUCTION SHEET		DRAWING NO	
3 PLC ± 0.3		WEIGHT		RESTRICTED TO	
4 PLC ± 0.3		CUSTOMER DRAWING		A3 00779 C-1674770	
ANGLES ± 3°		SCALE		SHEET	
FINISH		NTS		2 OF 3	
MATERIAL		REV		K1	

THIS DRAWING IS UNPUBLISHED. RELEASED FOR PUBLICATION 2001.  
 © COPYRIGHT 2001 BY TYCO ELECTRONICS CORPORATION. ALL RIGHTS RESERVED.

LOC	DIST	REVISIONS			
P	LTR	DESCRIPTION	DATE	OWN	APVD
J	.	SEE SHEET 1	-	-	-

PACKING	REMARKS	WEIGHT(kg)	DIMENSION			SOCKET QTY PER TRAY OR REEL	SOCKET P/N'S REF. ONLY	SALEABLE PART NO.	NAME
			c	B	A				
△	OBSOLETE					160	7-1674772-2	<del>7-1674770-2</del>	478B TYPE 180 DEGREE ROTATE
						160	6-1674772-2	6-1674770-2	478A TYPE 180 DEGREE ROTATE
						160	5-1674772-2	5-1674770-2	479M STD 180 DEGREE ROTATE
						30	4-1674772-4	4-1674770-4	479M WO/PEG
△	OBSOLETE					30	4-1674772-3	<del>4-1674770-3</del>	
△	OBSOLETE					30	4-1674772-2	<del>4-1674770-2</del>	479M W/PEG
						30	4-1674772-1	4-1674770-1	
						30	3-1674772-3	3-1674770-9	
△	OBSOLETE					30	3-1674772-2	<del>3-1674770-8</del>	478C TYPE
						160	3-1674772-2	3-1674770-2	
						30	2-1674772-9	2-1674770-9	478B STD. BLACK
						30	2-1674772-6	2-1674770-6	
						30	2-1674772-4	2-1674770-5	478B STD. Cover: PURPLE
						160	2-1674772-4	2-1674770-4	
						160	2-1674772-2	2-1674770-2	478B TYPE
△	OBSOLETE					160	2-1674772-1	2-1674770-1	
						160	1-1674772-5	<del>4-1674770-7</del>	478A STD. Cover: YELLOW
						160	1-1674772-4	4-1674770-6	
						30	1-1674772-2	1-1674770-5	478A TYPE
						160	1-1674772-2	1-1674770-2	
						30	4-1674772-5	4-1674770-5	
						30	1674772-3	1674770-9	
						30	1674772-2	1674770-8	
						30	1674772-1	1674770-7	
						200	1674772-3	1674770-6	479M STANDARD
△	OBSOLETE					200	1674772-2	<del>1674770-5</del>	
						200	1674772-1	1674770-4	
						160	1674772-3	1674770-3	
						160	1674772-2	1674770-2	
						160	1674772-1	1674770-1	

THIS DRAWING IS A CONTROLLED DOCUMENT.		DWN	Tyco Electronics AMP K.K. Kawasaki, Japan	
DIMENSIONS: MM		CHK	NAME	
TOLERANCES UNLESS OTHERWISE SPECIFIED: 0 PLC ± 0.3 1 PLC ± 0.3 2 PLC ± 0.3 3 PLC ± 0.3 4 PLC ± 0.3 ANGLES ± 3'		APVD	PACKING ASSY mPGA47X SOCKET LEAD FREE BALL	
MATERIAL		PRODUCT SPEC	SIZE CAGE CODE DRAWING NO RESTRICTED TO	
FINISH		APPLICATION SPEC INSTRUCTION SHEET	A3 00779 C-1674770 -	
		WEIGHT	CUSTOMER DRAWING SCALE NTS SHEET 3 OF 3 REV K1	