

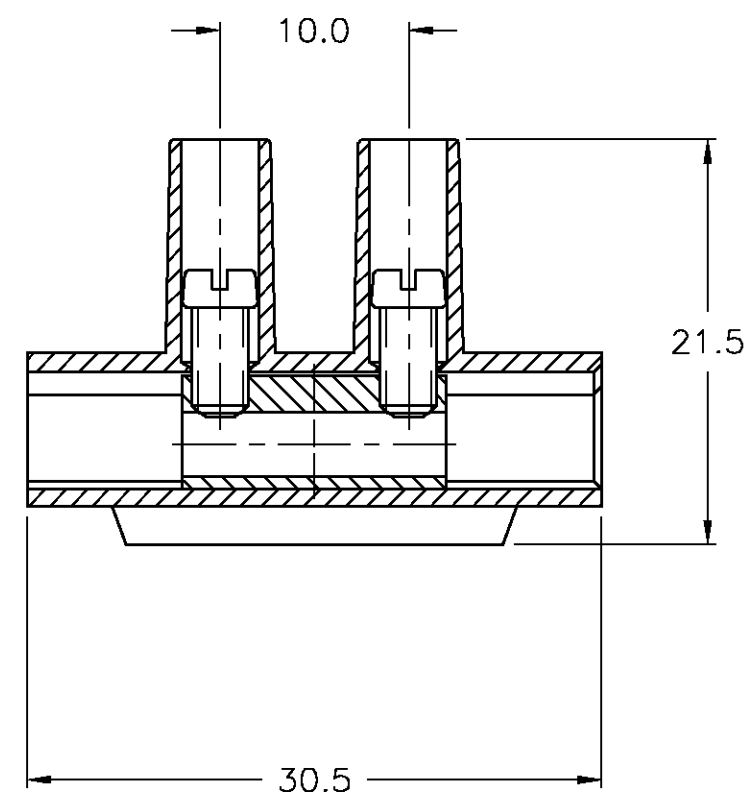
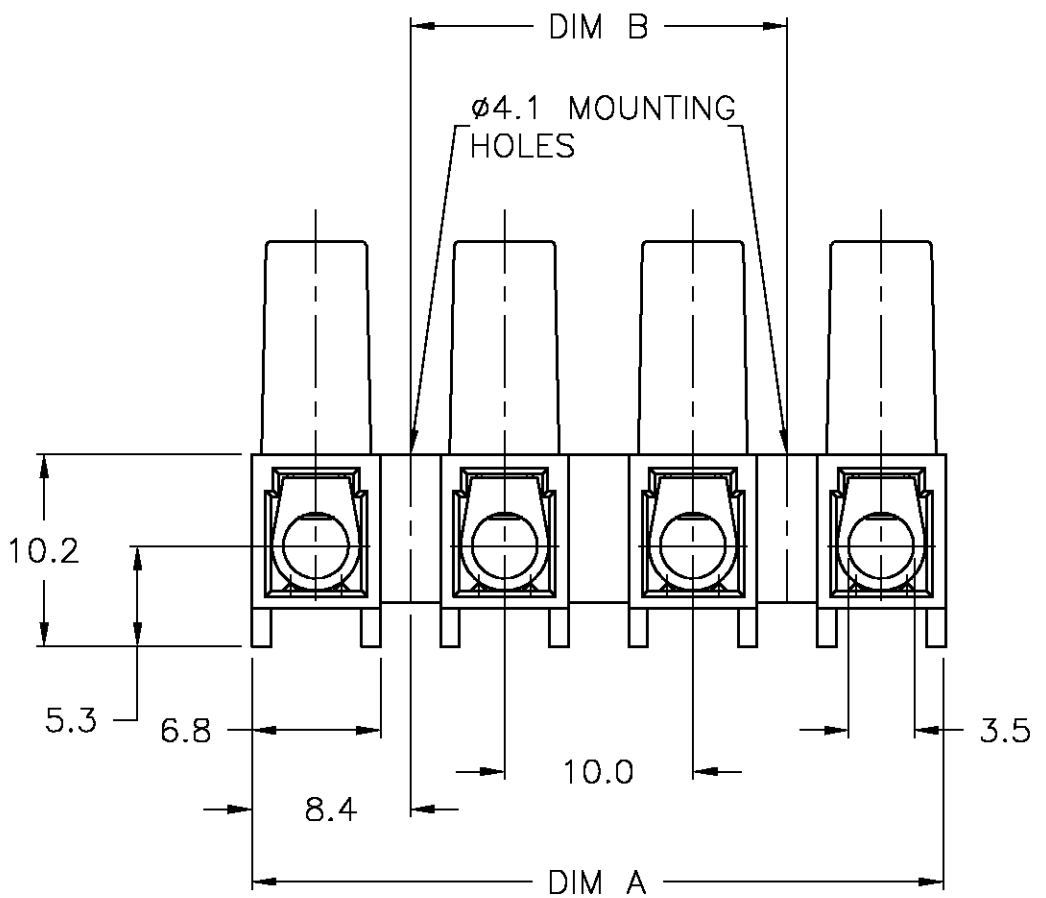
THIS DRAWING IS UNPUBLISHED. RELEASED FOR PUBLICATION  
 © COPYRIGHT - BY TYCO ELECTRONICS CORPORATION. ALL RIGHTS RESERVED.

LOC	DIST	REVISIONS					
FT	0	P	LTR	DESCRIPTION	DATE	DWN	APVD
			0	REVISED PER 0G3B-1020-04	3/18/05	SS	CR

MATERIAL:  
 HOUSING: POLYAMIDE 6 UL94V-2.  
 COLOR: NATURAL (OFF WHITE)  
 TERMINAL: BRASS, TIN PLATED  
 SCREWS: M3, STEEL, ZINC PLATED W/ NON-  
 HEXAVALENT CHROMATE (CHROME III).  
 WIRE PROTECTOR: STAINLESS STEEL

ELECTRICAL:  
 CURRENT RATING: 30A, 600V.  
 WIRE RANGE: 10-22 AWG.

RECOMMENDED TORQUE: 5 IN-LB.  
 CONTINUOUS WORKING TEMP MAX.: 100°C.



100.0	116.8	12	TSB500 SK 12	1-1776299-2
90.0	106.8	11	TSB500 SK 11	1-1776299-1
80.0	96.8	10	TSB500 SK 10	1-1776299-0
70.0	86.8	9	TSB500 SK 09	1776299-9
60.0	76.8	8	TSB500 SK 08	1776299-8
50.0	66.8	7	TSB500 SK 07	1776299-7
40.0	56.8	6	TSB500 SK 06	1776299-6
30.0	46.8	5	TSB500 SK 05	1776299-5
20.0	36.8	4	TSB500 SK 04	1776299-4
10.0	26.8	3	TSB500 SK 03	1776299-3
-	16.8	2	TSB500 SK 02	1776299-2
-	6.8	1	TSB500 SK 01	1776299-1
DIM B	DIM A	POSN	CATALOG NUMBER	PART NO

THIS DRAWING IS A CONTROLLED DOCUMENT.		DWN	S SCHLEGEL	3/18/05	Tyco Electronics Corporation Harrisburg, Pa 17105-3608	
DIMENSIONS: mm		CHK	C RICHARD	3/18/05		
		APVD	C RICHARD	3/18/05		
TOLERANCES UNLESS OTHERWISE SPECIFIED:		PRODUCT SPEC			NAME	
0 PLC ± -		APPLICATION SPEC			10MM PITCH 30A ELONGATED PLASTIC, EUROPA TERMINAL BLOCK W/O	
1 PLC ± .3		WEIGHT			SIZE	A3
2 PLC ± .25		CUSTOMER DRAWING			CAGE CODE	00779
3 PLC ± -		SCALE			DRAWING NO	1776299
4 PLC ± -		SHEET			RESTRICTED TO	-
ANGLES ± 2'		SHEET			1	OF 1
MATERIAL		REV			0	
FINISH		SCALE			NTS	