

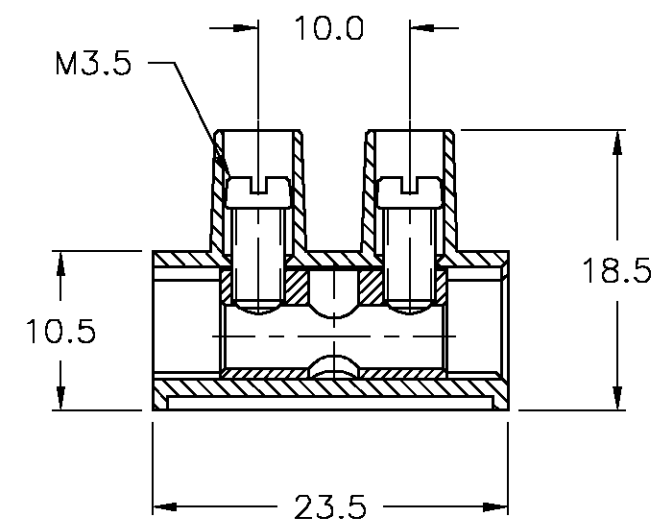
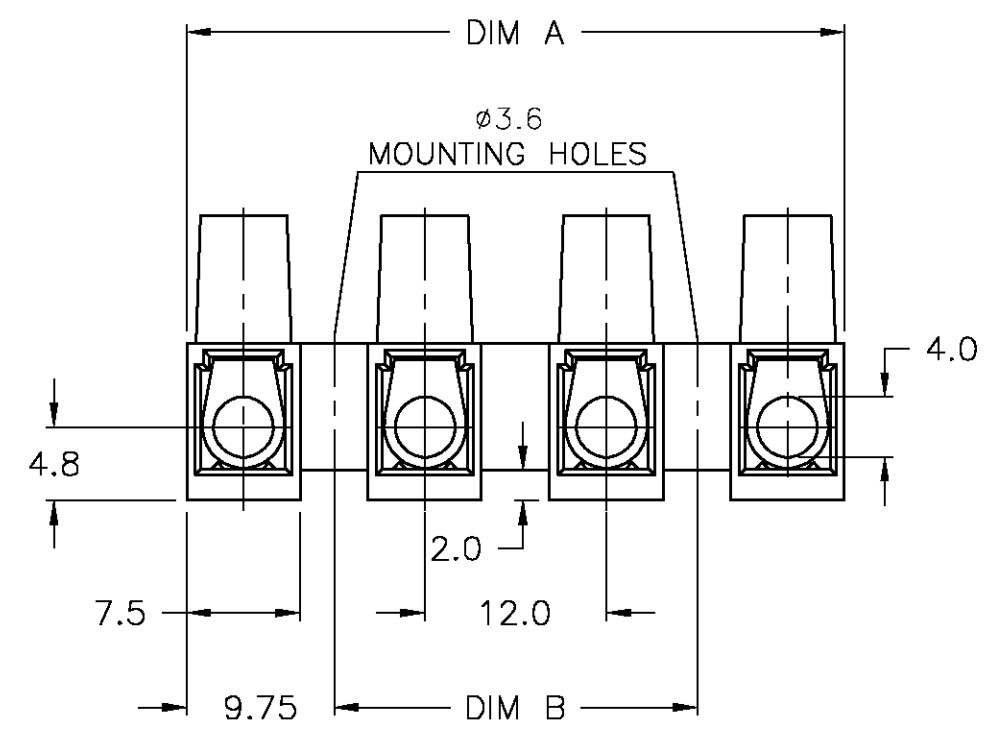
THIS DRAWING IS UNPUBLISHED. RELEASED FOR PUBLICATION  
 © COPYRIGHT BY TYCO ELECTRONICS CORPORATION. ALL RIGHTS RESERVED.

LOC	DIST	REVISIONS					
FT	0	P	LTR	DESCRIPTION	DATE	DWN	APVD
			0	REVISED PER 0G3B-1020-04	3/14/05	SS	CR

MATERIAL:  
 HOUSING: POLYIMIDE 6 UL94V-2.  
 COLOR: NATURAL(OFF WHITE).  
 TUBULAR CONTACT: BRASS TIN PLATED.  
 SCREW: STEEL, M3.5, ZINC PLATED W/ NON-  
 HEXAVALENT CHROMATE (CHROME III).

CURRENT RATING: 50A.  
 OPERATING VOLTAGE: 250V.  
 WIRE RANGE: 8-22 AWG.

CONTINUOUS WORKING TEMPERATURE 100°C MAX.



120.0	139.5	12	TSB100012	1-1776303-2
108.0	127.5	11	TSB100011	1-1776303-1
96.0	115.5	10	TSB100010	1-1776303-0
84.0	103.5	9	TSB100009	1776303-9
72.0	91.5	8	TSB100008	1776303-8
60.0	79.5	7	TSB100007	1776303-7
48.0	67.5	6	TSB100006	1776303-6
36.0	55.5	5	TSB100005	1776303-5
24.0	43.5	4	TSB100004	1776303-4
12.0	31.5	3	TSB100003	1776303-3
-	19.5	2	TSB100002	1776303-2
-	7.5	1	TSB100001	1776303-1
DIM B	DIM A	NO. OF POSN	T & B PART NUMBER	BUCHANAN PART NUMBER

THIS DRAWING IS A CONTROLLED DOCUMENT.		DWN	S SCHLEGEL	3/21/05	<b>BUCHANAN</b> Tyco Electronics Corporation Harrisburg, PA 17105			
DIMENSIONS: MM		CHK	C RICHARD	3/21/05				
TOLERANCES UNLESS OTHERWISE SPECIFIED:		APVD	C RICHARD	3/21/05	NAME			
0 PLC ± -		PRODUCT SPEC			EUROPA TSB1000 TUNNEL CONNECTION			
1 PLC ± 0.3		APPLICATION SPEC			-			
2 PLC ± 0.25		WEIGHT			-			
3 PLC ± -		CUSTOMER DRAWING			SIZE	CAGE CODE	DRAWING NO	RESTRICTED TO
4 PLC ± -		SCALE			A3	00779	C-1776303	-
ANGLES ± 2'		SHEET			NTS			1 OF 1
MATERIAL		REV			0			0