

NUMBER C-179463

第一角 (FIRST ANGLE PROJECTION)

METRIC

PRINT DIMENSIONS IN MM. DO NOT SCALE PRINT

PRINT DIST

REV. 1028600

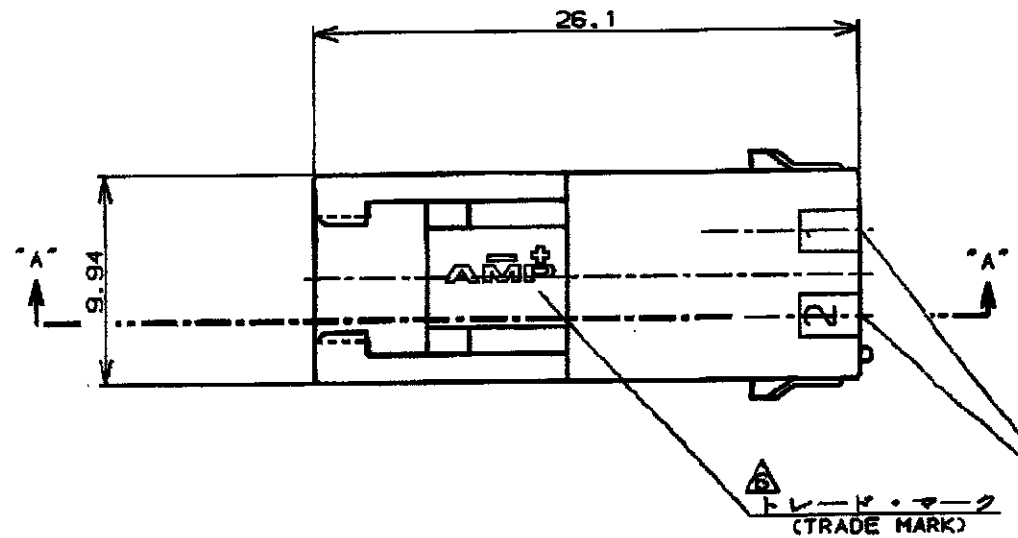
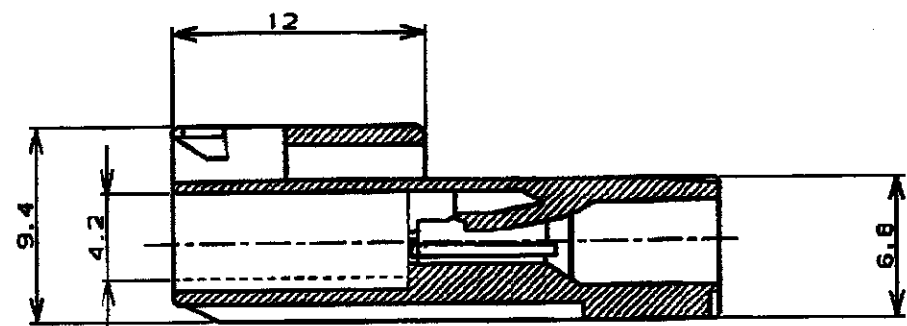
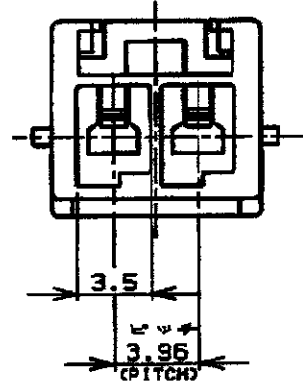
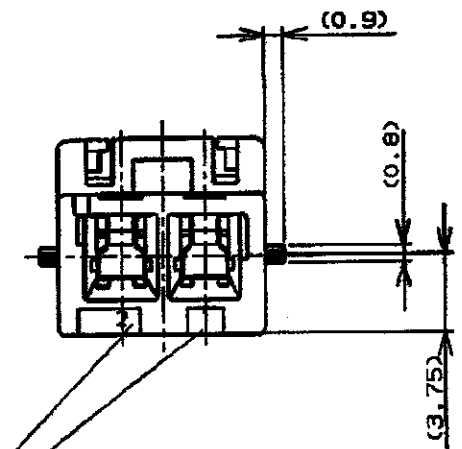


表1 (TABLE 1)

| トレードマーク (TRADE MARK) | 生産場所 (MANUFACTURING PLACE) |
|----------------------|----------------------------|
| -AMP OR AMP | 日本 (JAPAN) |
| -+AMP OR AMP | 中国 (CHINA (PRC)) |
| AMP OR AMP | 韓国 (KOREA) |



断面 "A-A" (SECT)



回路番号 (CIRCUIT No.)

注:

1. 適用製品規格: 108-5410
 2. 適用コンタクト型番
タブ・コンタクト: 177917-□ (#20-#16AWG)
177916-□ (#26-#22AWG)
 3. 適合相手側製品型番
プラグ・ハウジング: 177898-□
リセ・コンタクト: 177915-□ (#20-#16AWG)
177914-□ (#26-#22AWG)
 4. 適用プレート型番: 177918-□
 5. 取扱説明書: 411-5638
- △ 表1参照

NOTES:

1. PRODUCT SPEC, 108-5410
 2. APPLICABLE CONTACT P/N
TAB CONTACT: 177917-□ (#20-#16AWG)
177916-□ (#26-#22AWG)
 3. MATING CONN, P/N
PLUG HSG: 177898-□
REC CONTACT: 177915-□ (#20-#16AWG)
177914-□ (#26-#22AWG)
 4. APPLICABLE PLATE P/N: 177918-□
 5. INSTRUCTION SHEET: 411-5638
- △ SEE TABLE 1

| | | | |
|-------------------------|-----------|---|----------|
| 黒 (BLACK) | ▲ | ▲ | -9 |
| 青 (BLUE) | | | -8 |
| 緑 (GREEN) | | | -5 |
| 黄 (YELLOW) | | | -4 |
| 赤 (RED) | ▼ | ▼ | -2 |
| 自然色 (NATURAL) | 2 | | 179463-1 |
| ハウジング色調 (HOUSING COLOR) | 極数 (Pos.) | | 型番 (P/N) |

| | | | | | | | | | | | |
|---------------------|--------------|---------------------|--------------|---------------------|--------------|---------------------|--------------|---------------------|--------------|--------------------------|------------|
| D 変更 (FJ00-2223-01) | | C 変更 (FJ00-0444-01) | | B 変更 (FJ00-0553-98) | | A 変更 (FJ00-0587-94) | | O 作成 (FJ00-0287-84) | | LTR 変更 (REVISION RECORD) | |
| DR. | M. SUZUKI | DR. | M. SUZUKI | DR. | M. SUZUKI | DR. | M. SUZUKI | DR. | M. SUZUKI | CHK. | M. SHINDO |
| DATE | 25. MAR. '84 | DATE | 25. MAR. '84 | DATE | 25. MAR. '84 | DATE | 25. MAR. '84 | DATE | 25. MAR. '84 | APP. | Y. KASHIWA |

AMP Tyco Electronics AMP K.K. Kawasaki, Japan

| | | | |
|-----------------|--|---|-------------------|
| 名称 (NAME) | | AMP POWER DOUBLE LOCK CONN. 3.95mm PITCH CAP HOUSING 2 Pos (FREE HANGING) | |
| 寸法 (DIMENSIONS) | 16mm: ±0.2 | 10mm: ±0.25 | 30mm: ±0.3 |
| 公差 (TOLERANCE) | ±0.3 | | |
| 材料 (MATERIAL) | S/S ナイロン (UL94V-0) / S/S NYLON (UL94V-0) | | |
| 仕上げ (FINISH) | --- | | |
| 寸法 (DIMENSIONS) | SIZE A3 | LOC J | 番号 (No.) C-179463 |
| 尺規 (SCALE) | REV. D | | SHEET 1 OF 1 |

CUSTOMER DRAWING