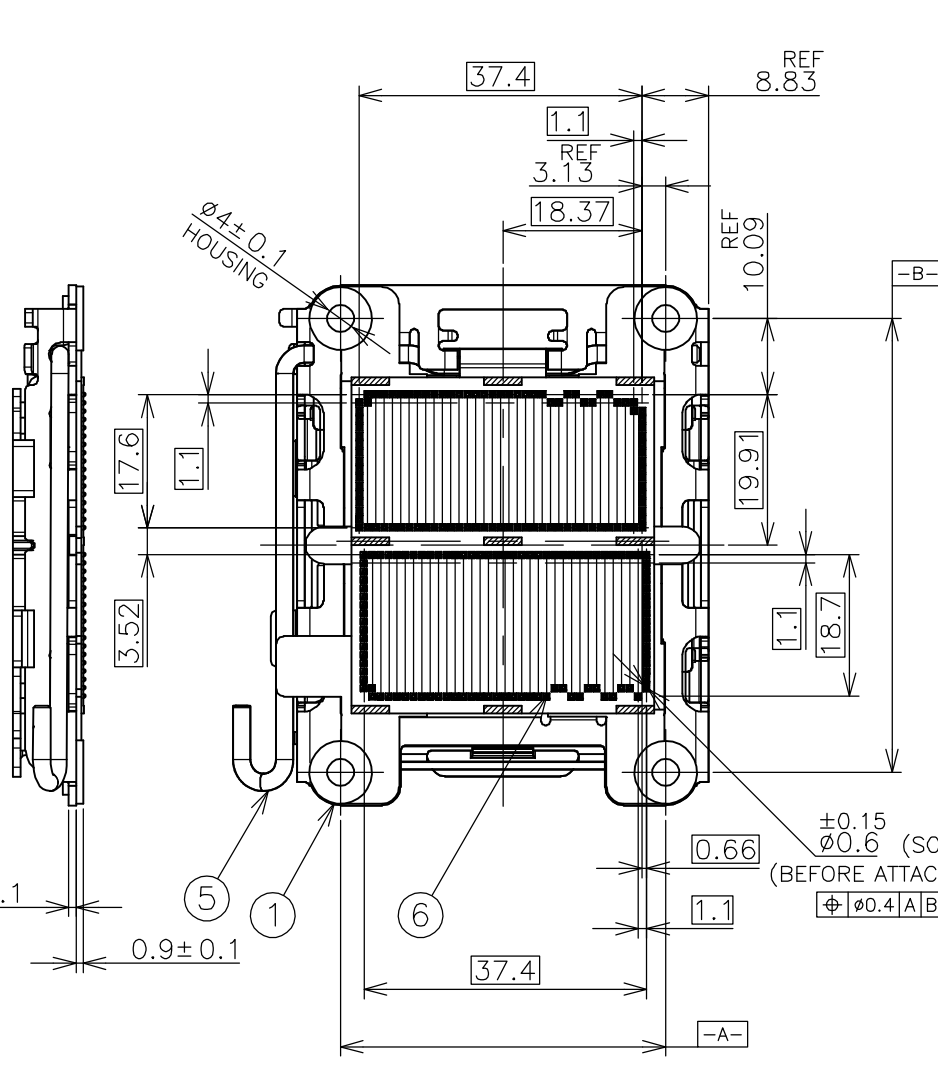
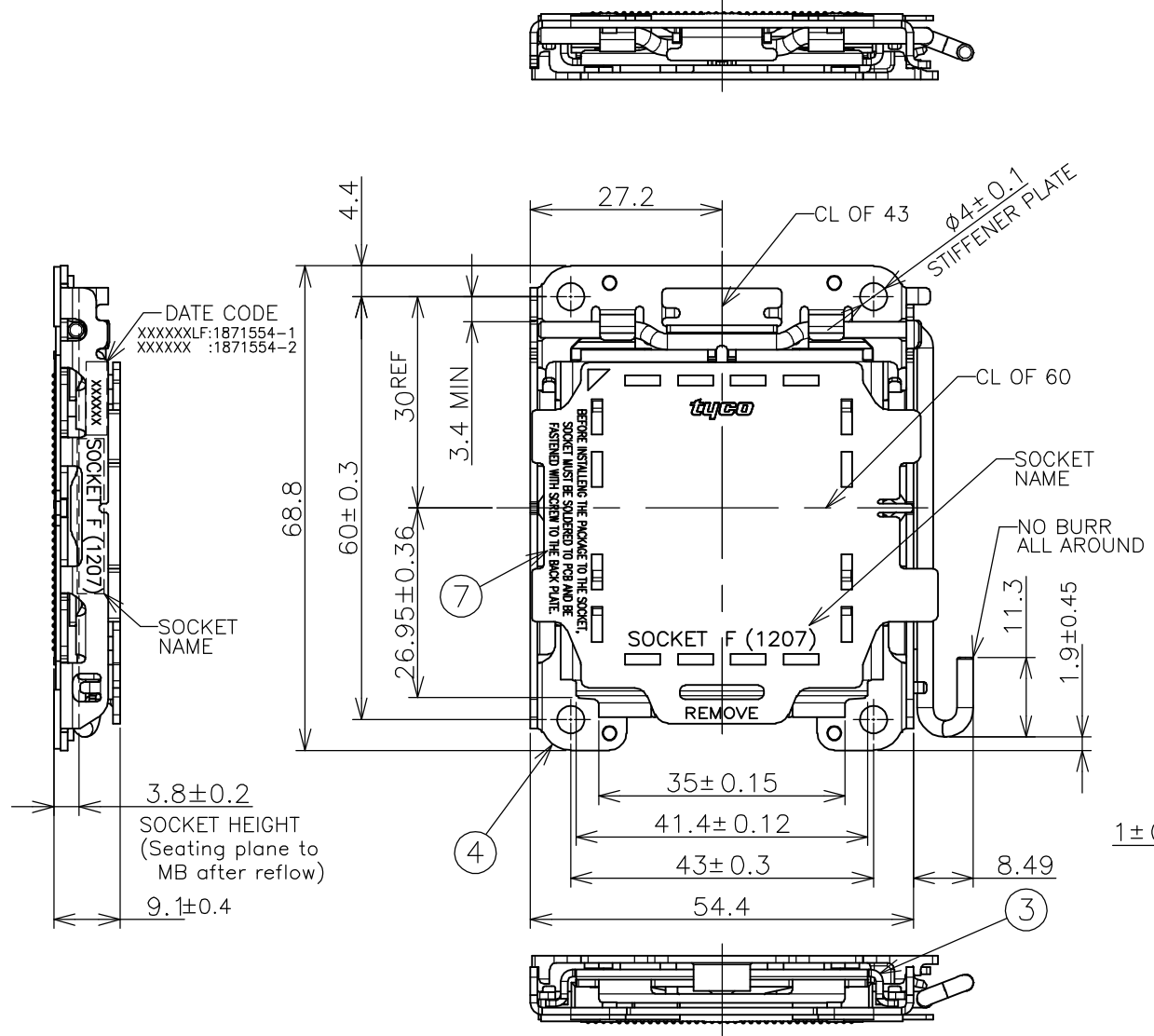
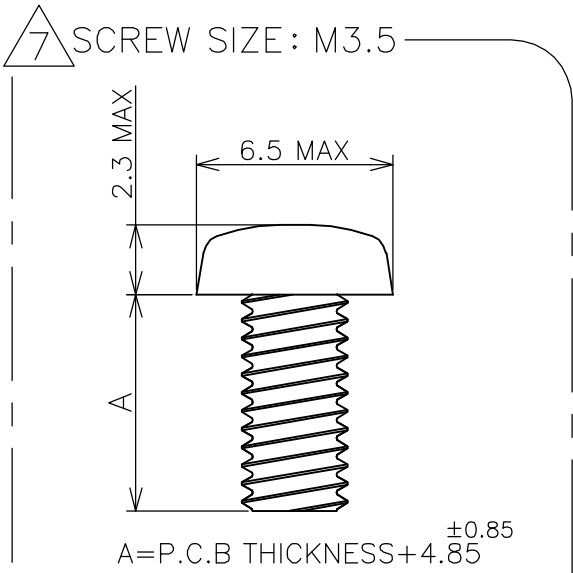
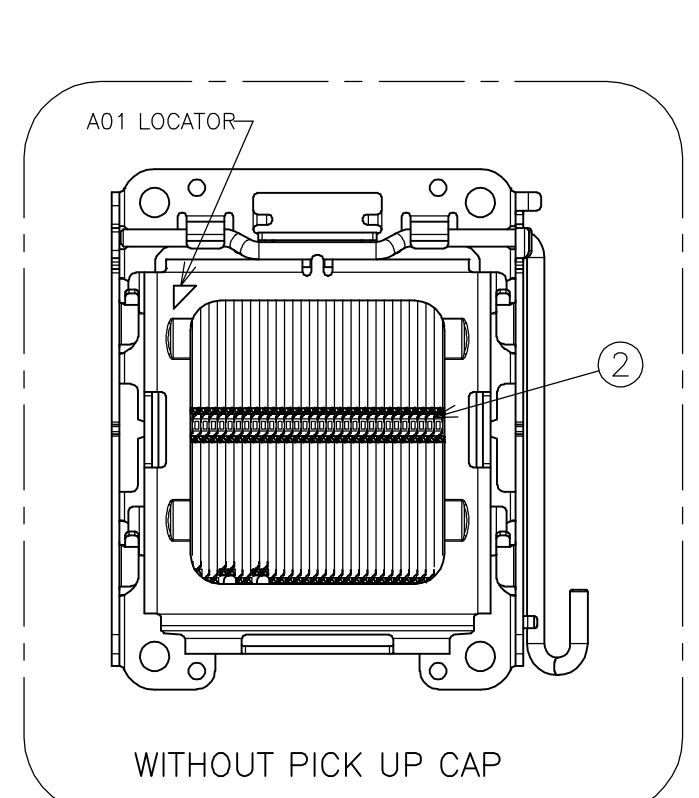


THIS DRAWING IS UNPUBLISHED. RELEASED FOR PUBLICATION
 © COPYRIGHT BY TYCO ELECTRONICS CORPORATION. ALL RIGHTS RESERVED.

LOC		DIST		REVISIONS		
J		/		変更		
P	LTR	DESCRIPTION		DATE	DWN	APVD
	B	REVISED (ECR-06-020892)		30AUG2006	M.I	H.S



- △ 1 MATERIAL
 - HSG: THERMO-PLASTIC
 - CONTACT: COPPER ALLOY
 - UPPER PLATE: STAINLESS STEEL
 - STIFFENER PLATE: STAINLESS STEEL
 - LEVER: STAINLESS STEEL
 - SOLDER BALL: Sn/Ag/Cu OR Sn/Ag FOR LEAD FREE
Sn/Pb FOR LEADED
- △ 2 FINISH
 - CONTACT: GOLD PLATE AT CONTACT AREA
ON OVERALL Ni UNDER PLATE.
- 3 THE SCREW FOR FIXATION OF BACK PLATE:M3.5
- 4 RECOMMENDED TIGHTENING TORQUE:
0.35~0.45Nm(3.5~4.5kgf·cm)
- 5 PLEASE REFER TO THE INSTRUCTION SHEET FOR THE HANDLING OF THIS SOCKET.
- 6 PLEASE USE THIS SOCKET TOGETHER WITH BACK PLATE.
BACK PLATE P/N:1827213-1
- △ 7 SIZE OF SCREW FOR FIXATION OF BACK PLATE .
- 8 PLEASE INSERT CPU AFTER FIXATION OF BACK PLATE WITH THE SCREW.
- 9 PLEASE INSERT CPU AFTER REMOVING PICK UP CAP.



RECOMMEND SCREW LENGTH

P.C.B THICKNESS	SCREW LENGTH
1.6mm	6±0.3mm
2.4mm	7±0.3mm

HARD TRAY (8EA/TRAY)	LEADED	1871554-2
HARD TRAY (8EA/TRAY)	LEAD FREE	1871554-1
PACKING TYPE	SOLDER BALL TYPE	PART NO.

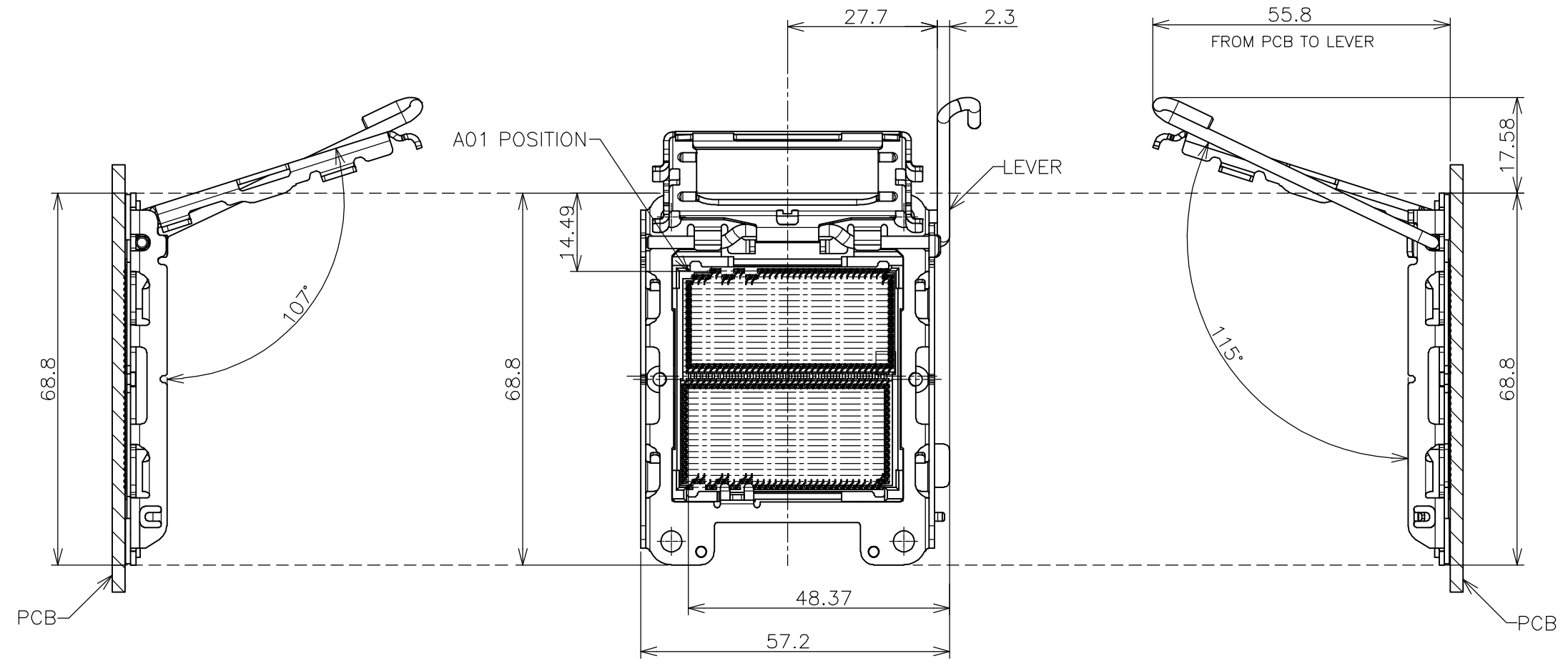
PICK UP CAP	⑦
SOLDER BALL	⑥
LEVER	⑤
STIFFENER PLATE	④
UPPER PLATE	③
CONTACT	②
HOUSING	①

THIS DRAWING IS A CONTROLLED DOCUMENT.

DIMENSIONS: 単位: 耗 mm	TOLERANCES UNLESS OTHERWISE SPECIFIED: 一般公差	DWN S.TODA 08JUN05	tyco Electronics Tyco Electronics AMP K.K. Kawasaki, Japan				
① PLC ±	±0.3	CHK M.INOUE 08JUN05					
② PLC ±	±3	APVD Y.YAMAMOTO 08JUN05	NAME 名称 SOCKET F (1207) 0 DEGREE RIGHT LEVER TYPE				
③ PLC ±	±	PRODUCT SPEC 製品規格 108-78375					
④ PLC ±	±	APPLICATION SPEC 取付適用規格 114-5383	SIZE A3	CAGE CODE 00779	DRAWING NO 番号 C-1871554	RESTRICTED TO	
MATERIAL 材料	FINISH 仕上	WEIGHT	CUSTOMER DRAWING		SCALE 尺度 1:1	SHEET 1 OF 4	REV B

THIS DRAWING IS UNPUBLISHED. RELEASED FOR PUBLICATION
 © COPYRIGHT BY TYCO ELECTRONICS CORPORATION. ALL RIGHTS RESERVED.

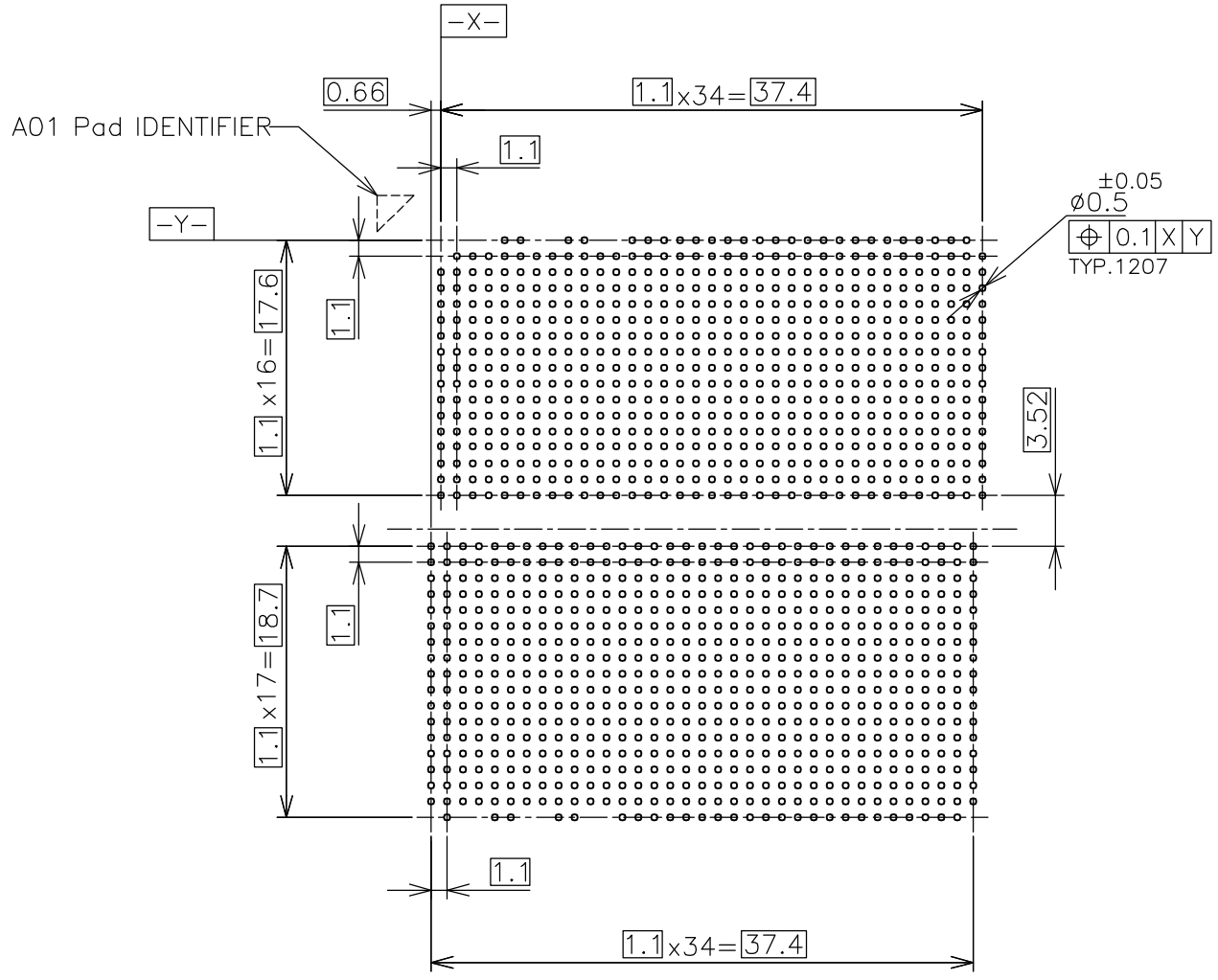
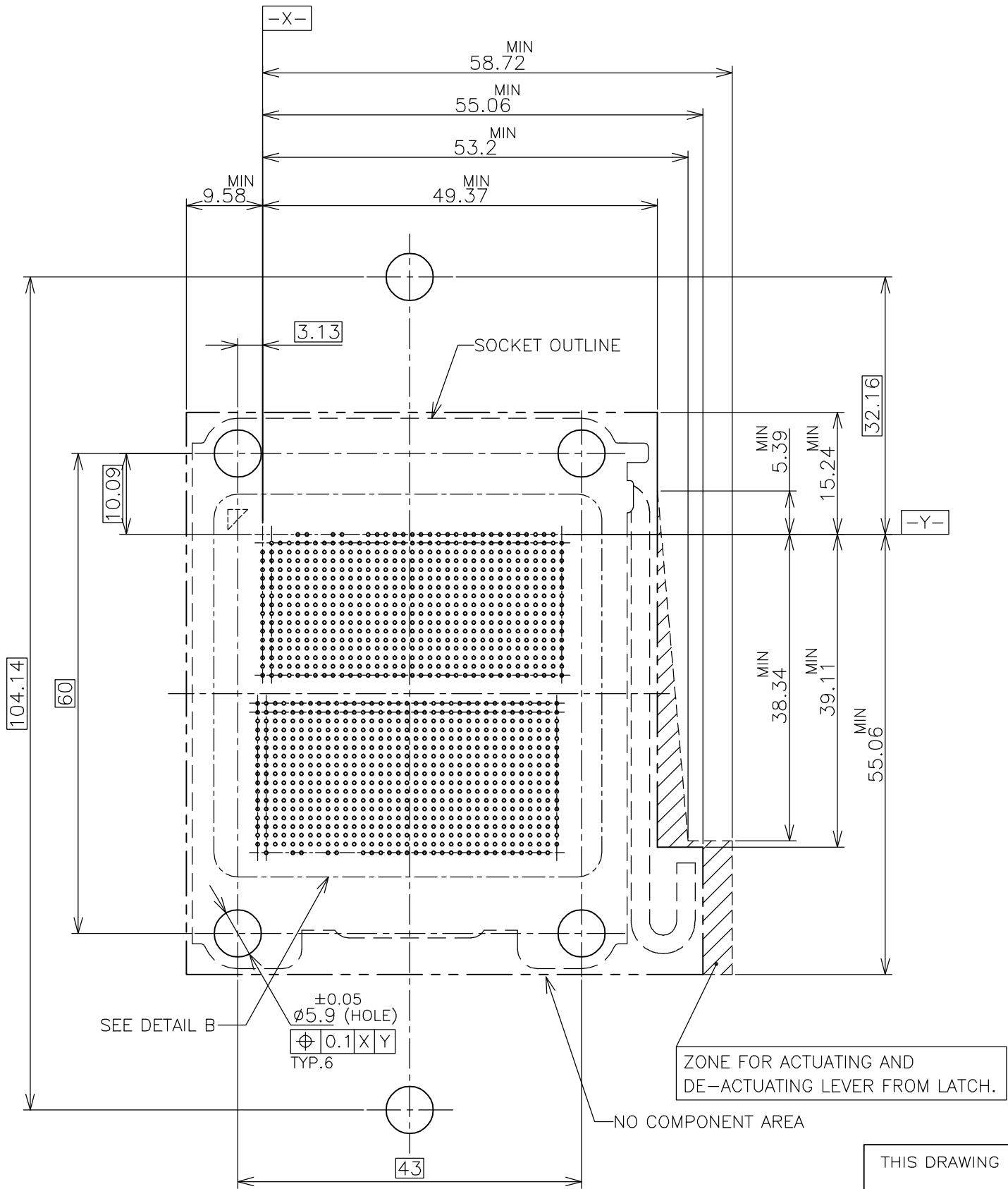
LOC	DIST	REVISIONS					
J	/	P	LTR	DESCRIPTION	DATE	DWN	APVD
		-		SEE SHEET 1	-	-	-



ALL DIMENSIONS OF THIS SHEET ARE REFERENCE DIMENSIONS.

THIS DRAWING IS A CONTROLLED DOCUMENT.		DWN	Tyco Electronics AMP K.K. Kawasaki, Japan				
DIMENSIONS: 単位: 耗 mm		CHK					
TOLERANCES UNLESS OTHERWISE SPECIFIED: 一般公差		APVD	NAME 名称				
0 PLC ± 1 PLC ± 2 PLC ± 3 PLC ± 4 PLC ± ANGLES ±		PRODUCT SPEC 製品規格	SOCKET F (1207) 0 DEGREE RIGHT LEVER TYPE				
MATERIAL 材料		FINISH 仕上	APPLICATION SPEC 取付適用規格	SIZE A3	CAGE CODE 00779	DRAWING NO 番号 C-1871554	RESTRICTED TO
		WEIGHT	CUSTOMER DRAWING		SCALE 尺度 2:1	SHEET 2 OF 4	REV B

LOC	DIST	REVISIONS					
J	/	P	LTR	DESCRIPTION	DATE	DWN	APVD
		-		SEE SHEET 1	-	-	-



PCB REFERENCE LAYOUT

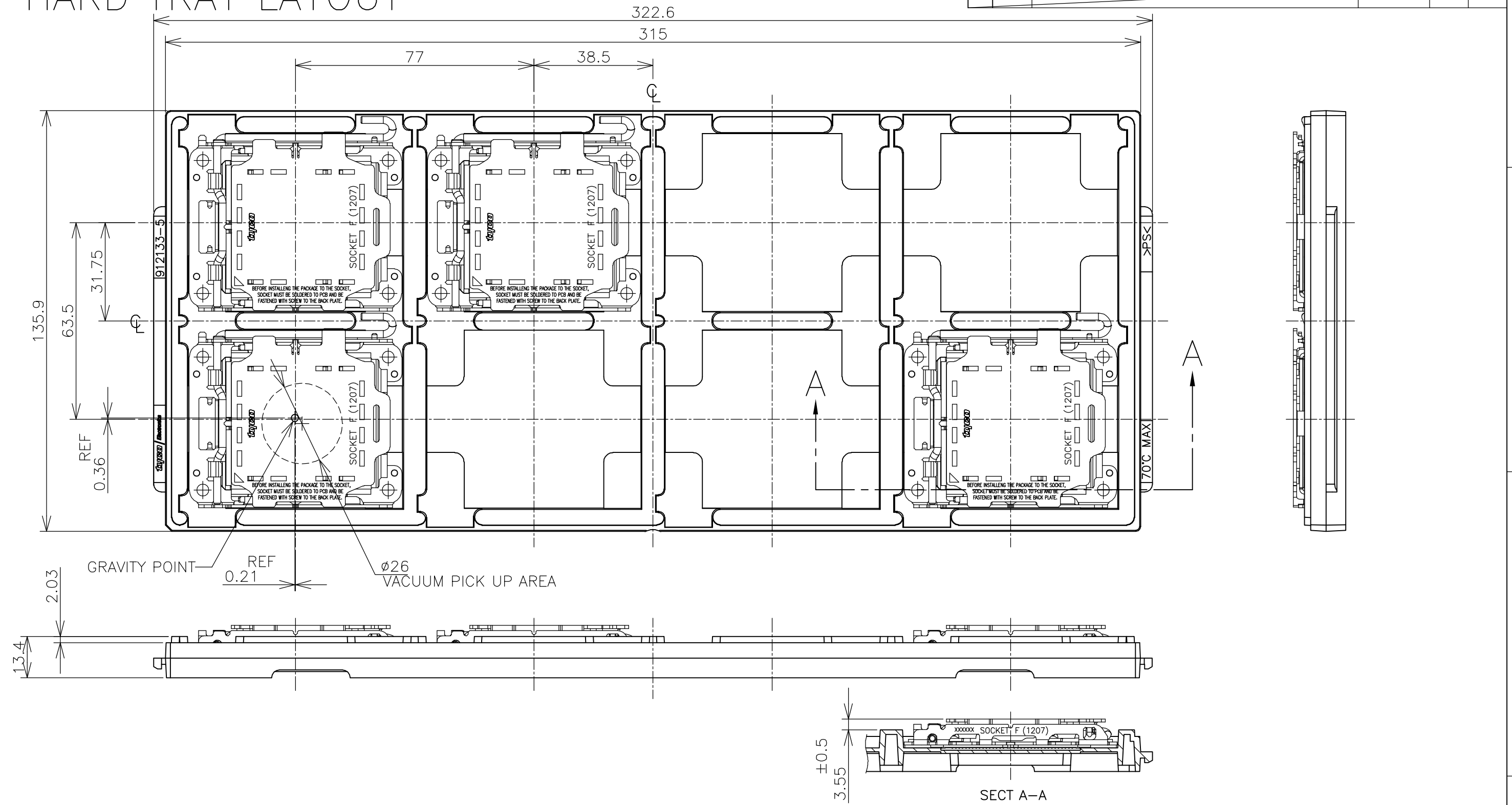
DETAIL B

THIS DRAWING IS A CONTROLLED DOCUMENT.		DWN	tyco Tyco Electronics AMP K.K. Kawasaki, Japan	
DIMENSIONS: 単位: 耗 mm		CHK	NAME 名称	
TOLERANCES UNLESS OTHERWISE SPECIFIED: 一般公差		APVD	SOCKET F (1207) 0 DEGREE RIGHT LEVER TYPE	
0 PLC ±		PRODUCT SPEC 製品規格	SIZE A3	CAGE CODE 00779
1 PLC ± ±0.3		APPLICATION SPEC 取付適用規格	DRAWING NO 番号 C-1871554	
2 PLC ± ±3'		WEIGHT	RESTRICTED TO	
3 PLC ±		CUSTOMER DRAWING		
4 PLC ±		SCALE 尺度 2:1	SHEET 3 OF 4	REV B
ANGLES ±				
FINISH 仕上				
MATERIAL 材料				

THIS DRAWING IS UNPUBLISHED. RELEASED FOR PUBLICATION
 © COPYRIGHT BY TYCO ELECTRONICS CORPORATION. ALL RIGHTS RESERVED.

LOC	DIST	P	LTR	REVISIONS 変更	DATE	DWN	APVD
J	/			DESCRIPTION			
				SEE SHEET 1			

HARD TRAY LAYOUT



THIS DRAWING IS A CONTROLLED DOCUMENT.		DWN	Tyco Electronics AMP K.K. Kawasaki, Japan	
DIMENSIONS: 単位: 耗 mm		CHK		
TOLERANCES UNLESS OTHERWISE SPECIFIED: 一般公差		APVD	NAME 名称	
0 PLC ± 1 PLC ±0.3 2 PLC ± 3 PLC ±3' 4 PLC ±		PRODUCT SPEC 製品規格	SOCKET F (1207) 0 DEGREE RIGHT LEVER TYPE	
MATERIAL 材料		FINISH 仕上	APPLICATION SPEC 取付適用規格	RESTRICTED TO
		WEIGHT	SIZE A3	CAGE CODE 00779
			DRAWING NO 番号 C-1871554	
			SCALE 尺度	SHEET 4 OF 4
				REV B