

Series image - Reference only

EU RoHS	China RoHS
ELV and RoHS Compliant	

Search Parts in this Series

[19164 Series](#)

Application Tooling

Global

Description	Product #
Hand Crimp Tool	0640014500
Hand Crimp Tool	0640014700
Crimp Head for the AT-200™ Pneumatic Hand Tool	0640054500
Crimp Head for the AT-200™ Pneumatic Hand Tool	0640054700

Part Number: **0191640050**

Status: **Active**

Description: Perma-Seal™ Female Quick Disconnect Receptacle for 14-16 AWG Wire, Tab Size 6.35mm (.250") x .081mm (.032")

Documents:

- [Drawing \(PDF\)](#)
- [Product Literature \(PDF\)](#)
- [Related Catalog Page \(PDF\)](#)

Order Products:

- [Check Distributor Inventory](#)
- [Request Samples](#)

Part Detail: [\(show all\)](#)○ **General**○ **Physical**○ **Electrical**○ **Material Info****General**

Product Family	Quick Disconnects
Series	<u>19164</u>
Product Name	Perma-Seal™
Type	Quick Disconnect

Physical

Barrel Type	Closed
Color - Resin	Natural
Flammability	94 V0
Gender	Female
Insulation	NiAc(TM)
Lock to Mating Part	None
Material - Metal	Brass
Material - Resin	Nylon
Orientation	Straight
Packaging Type	Box
Tab Thickness	0.81mm (.032")
Tab Width	6.35mm (.250")
Temperature Range - Operating	-55°C to +125°C
Wire Insulation Diameter	4.32mm (.170") max.
Wire Size AWG	14
Wire Size AWG	16
Wire Size mm²	1.00 - 2.50

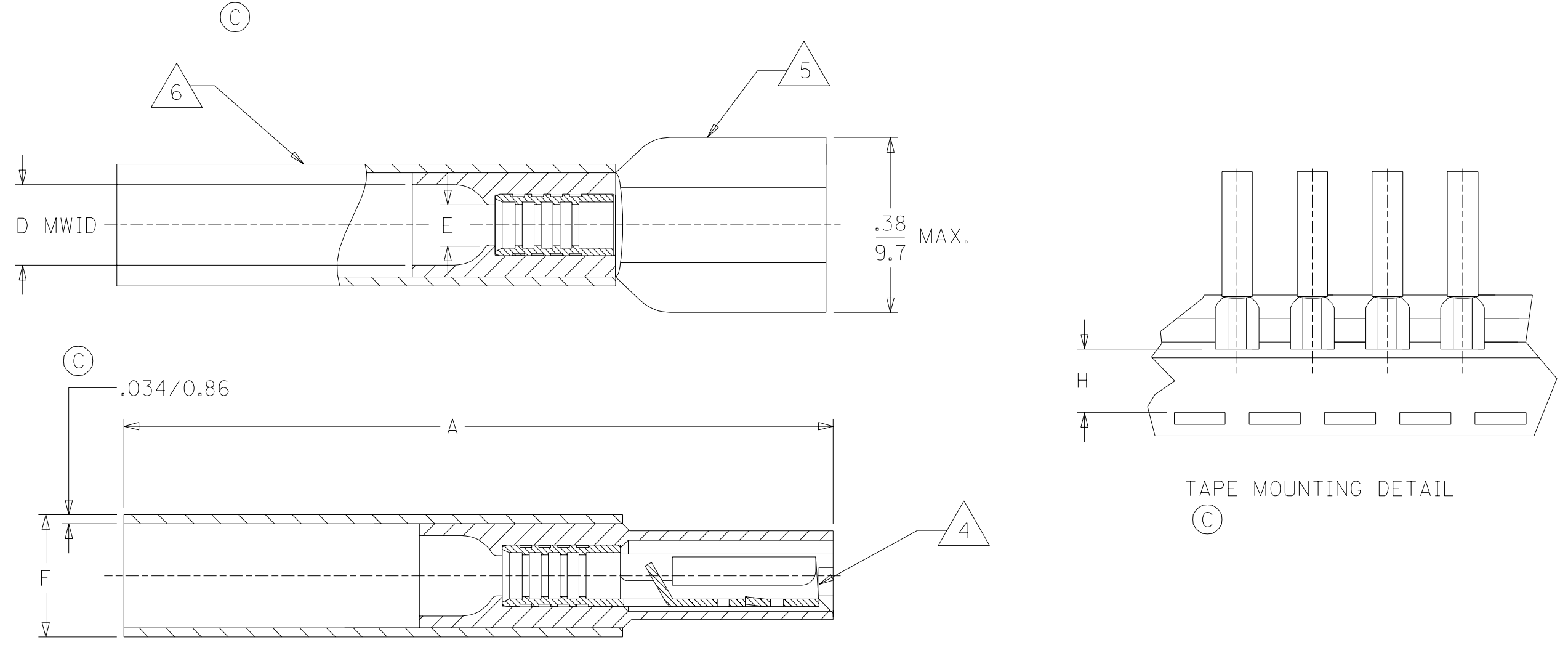
Electrical

CSA	LR18689
UL	E79133
Voltage - Maximum	600V

Material Info

Old Part Number	SBB-9263
-----------------	----------

MATERIAL NUMBER	ENGINEERING NUMBER	TAPE MATERIAL NUMBER	TAPE ENGINEERING NUMBER	WIRE SIZE AWG	WIRE SIZE MM SQ.	FITS MALE TAB	PERMA-SEAL COLOR	A MAX.	D MWID	E MIN	F MAX. DIA.	H ±.010/0.25
191640017	SAA-9261	191640018	SAA-9261T	22-18	.25-1.5	.250 X .032	RED	1.63/41.4	.17/4.3	.083/2.11	.286/7.26	.55/14.0
191640050	SBB-9263	191640051	SBB-9263T	16-14	1.0-2.5	.250 X .032	BLUE	1.46/37.1	.17/4.3	.083/2.11	.298/7.57	.55/14.0
191640076	SC-9281	191640305	SC-9281T	12-10	4.0-6.0	.250 X .032	YELLOW	1.52/38.6	.23/5.8	.140/3.56	.373/9.47	.56/14.2



TAPE MOUNTING DETAIL

- NOTES:
- FEMALE RECEPTACLE CONFORMS TO NEMA.
 - ALL DIMENSIONS SHOWN ARE BEFORE SHRINK TUBING IS HEATED.
 - "MWID" DENOTES MAX. WIRE INSULATION DIA.
 - TAB MATERIAL: .018 THK, BRASS, PLATING, TIN.
 - INSULATION MAT'L: MOLDED NYLON
 - NIAC TUBING WITH HOTMELT INNER LINER. SEE CHART FOR COLOR.

SALES DRAWING

WAS CD05335-03 EC NO. ETC2003-0102 DRWN: BRE 03/03/20 CHK: HEB 03/03/20 APPR: RWD 03/03/20	QUALITY SYMBOLS	GENERAL TOLERANCES: (UNLESS SPECIFIED)	SCALE NO: NE	DESIGN UNITS	THIRD ANGLE PROJECTION	DIMENSIONS:	SHT	REV
	MAJOR $\blacktriangledown = 0$	mm INCH	NO: NE	<input type="checkbox"/> mm <input checked="" type="checkbox"/> INCH	<input type="checkbox"/> mm ONLY	<input type="checkbox"/> mm <input checked="" type="checkbox"/> INCH		
	CRITICAL $\blacktriangle = 0$	4 PLACES ±0. ±.	DRAWN BY & DATE	BRE	02/10/29	TITLE: PERMA-SEAL COUPLER FEMALE RECEPTACLE NIAC		
		3 PLACES ±0. ±.005	CHECKED BY & DATE	HEB	02/10/29	MOLEX INCORPORATED		
	2 PLACES ±0.13 ±.01	APPROVED BY & DATE	RWD	02/10/29	MATERIAL NO.	DRAWING NO.	SHEET NO.	
	1 PLACE ±0.25 ±.	ANGULAR: ±1/2°	CAD FILENAME	SD-19164-020 .DGN	SEE CHART	SD-19164-020	1 OF 1	SIZE B
		DRAFT WHERE APPLICABLE MUST REMAIN WITHIN DIMENSIONS	THIS DRAWING CONTAINS INFORMATION THAT IS PROPRIETARY TO MOLEX INCORPORATED AND SHOULD NOT BE USED WITHOUT WRITTEN PERMISSION.					