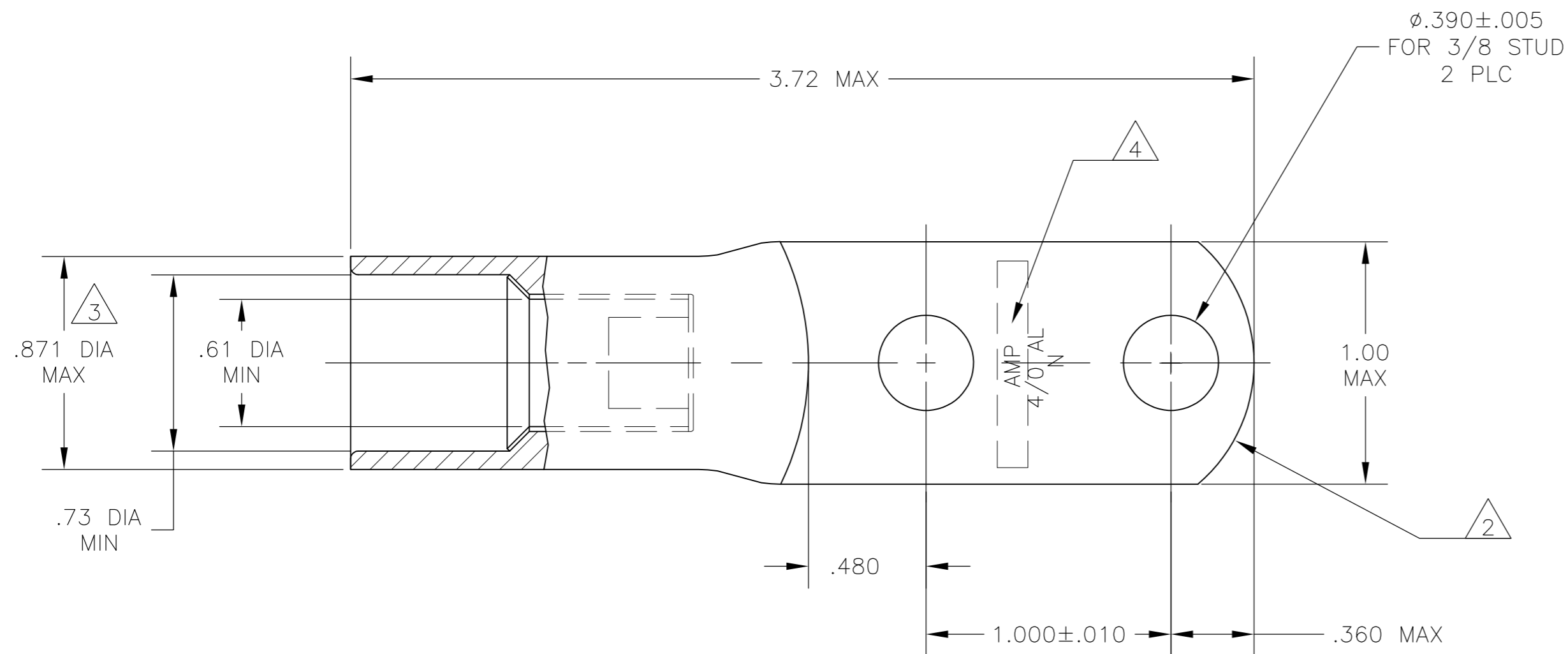
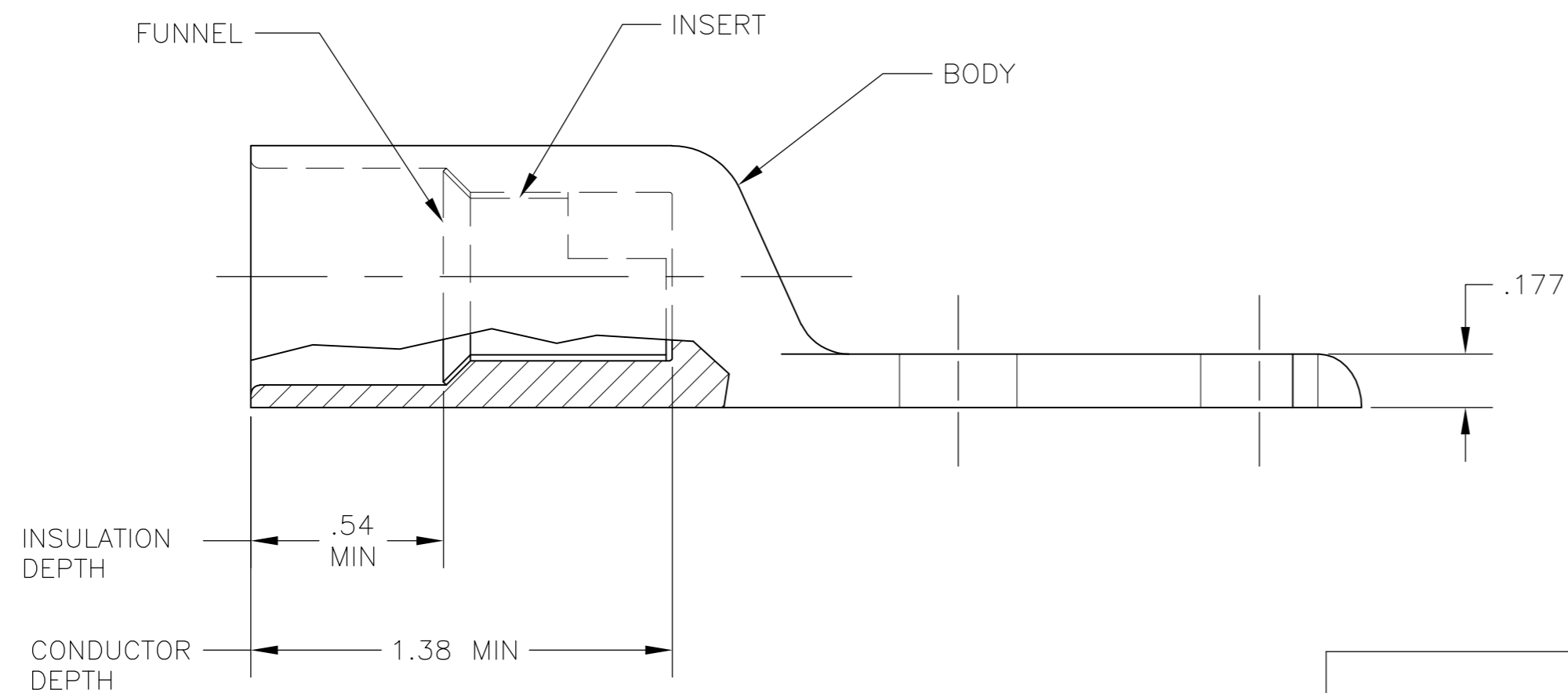


THIS DRAWING IS UNPUBLISHED. RELEASED FOR PUBLICATION
 © COPYRIGHT BY TYCO ELECTRONICS CORPORATION. ALL RIGHTS RESERVED.

LOC	DIST	REVISIONS			
P	LTR	DESCRIPTION	DATE	DWN	APVD
G	86	A3	REVISED PER ECR-07-017744	03SEP07	HMR JR



- 1 WIRE INSULATION: .590-.683 DIA
- 2 THE TONGUE RADIUS FEATURE IS NOT A TOOLING CONTROLLED DIMENSION AND MAY NOT BE A TRUE RADIUS.
- 3 FLASH PERMITTED ±.020
- 4 STAMP "AMP 4/0 AL N" SIZE AND LOCATION APPROX AS SHOWN SEE TABLE FOR QUALIFICATION PORTION OF STAMP P = PRODUCTION (IMPACT PART)
- 5 PREPRODUCTION - FASR REQUIRED
- 6 THIS PRODUCT HAS NOT COMPLETED VALIDATION TESTING



PRODUCTION	P AMP	INSERT & FUNNEL: BRASS MIL-C-50 NICKEL PL QQ-N-290 .000300 AVG THK	5 1958078-1
QUALIFICATION DESCRIPTION 4	QUALIFICATION STAMP 4	BODY: COPPER ASTM-B187 ANNEALED NICKEL PL .000300 MIN THK PER QQ-N-290	PART NO.

THIS DRAWING IS A CONTROLLED DOCUMENT.		DWN jr ruth 31JAN07	Tyco Electronics Corporation Harrisburg, PA 17105-3608	
DIMENSIONS: INCHES	TOLERANCES UNLESS OTHERWISE SPECIFIED:	CHK JOHN KNOLL 31JAN07	NAME	
	0 PLC ± -	APVD JOHN KNOLL 31JAN07	PRODUCT SPEC	
	1 PLC ± -	APPLICATION SPEC	-	
MATERIAL SEE TABLE	FINISH SEE TABLE	WEIGHT 120 GRAMS	SIZE A2	CAGE CODE 00779
		CUSTOMER DRAWING	DRAWING NO C=1958078	RESTRICTED TO -
		SCALE 2:1	SHEET 1 of 1	REV A3