

THIS DRAWING IS UNPUBLISHED. RELEASED FOR PUBLICATION
 © COPYRIGHT BY TYCO ELECTRONICS CORPORATION. ALL RIGHTS RESERVED.

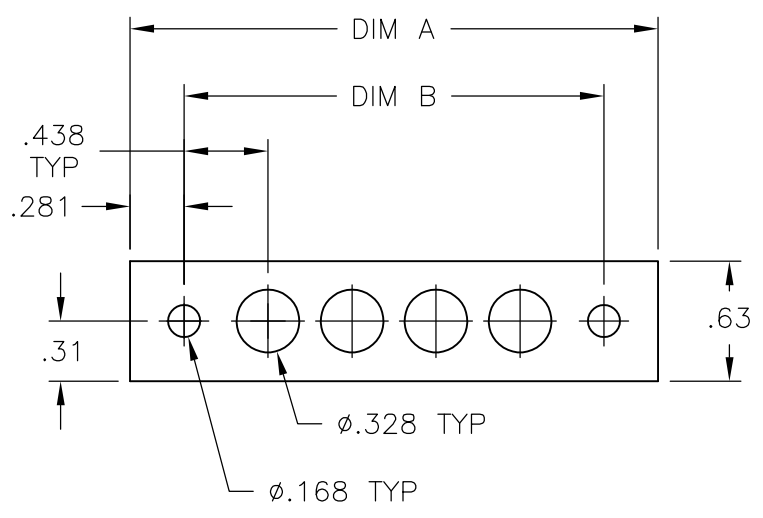
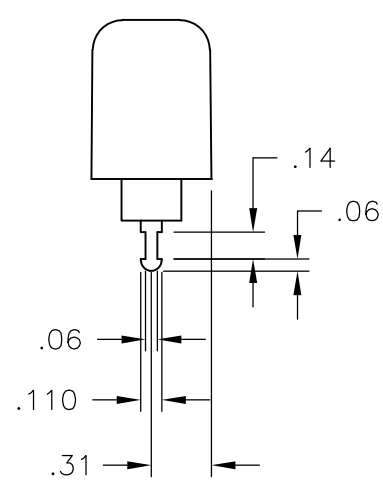
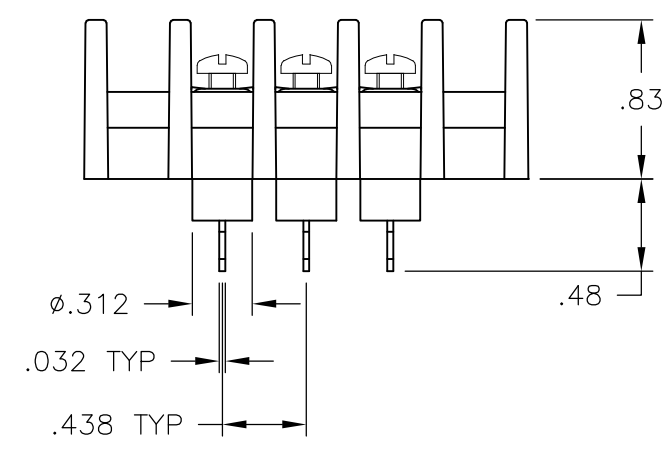
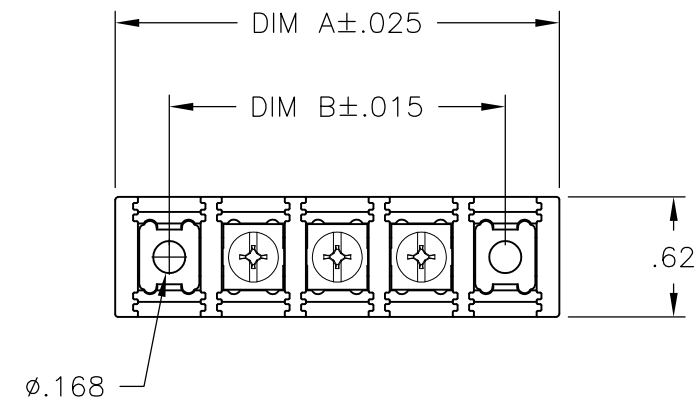
| LOC | DIST | REVISIONS | | | | | |
|-----|------|-----------|-----|---------------------------|----------|-----|------|
| FT | 0 | P | LTR | DESCRIPTION | DATE | DWN | APVD |
| | | | A | - | 11/17/06 | SS | SRY |
| | | | A1 | REVISED PER ECO-09-024927 | 09DEC09 | KK | AEG |

MATERIAL:
 HOUSING: THERMOPLASTIC, UL94V-2, BLACK.
 TERMINALS: BRASS, BRIGHT TIN PLATE.
 SCREWS: 6-32, STEEL, PLATED .0002 MIN ZINC W/
 CLEAR CHROMATE COATING.

ELECTRICAL:
 MAXIMUM CURRENT: 20A.
 OPERATING VOLTAGE: 600V.
 WIRE RANGE: 12-22 AWG.

ENVIRONMENTAL:
 OPERATING TEMP.: -60°C TO +105°C

- ① BRASS SCREWS.
- ② STAINLESS STEEL SCREWS.
- ③ BUSHINGS INSERTED IN END CAVITIES AS SHOWN.
- ④ OBSOLETE PARTS: OBSOLETE CIS STREAMLINING PER D.RENAUD/D.SINISI



RECOMMENDED PCB LAYOUT

| | | | | | | |
|----------|-------|----------|--------------|------------------------|------------------------|------------------------|
| OBSOLETE | ④ | 10.187 | 21 | SSB7TM210101 | 2-1546985-1 | |
| | | 9.750 | 20 | SSB7TM200101 | 2-1546985-0 | |
| | | 9.312 | 19 | SSB7TM190101 | 1-1546985-9 | |
| | | 8.875 | 18 | SSB7TM180101 | 1-1546985-8 | |
| | | 8.437 | 17 | SSB7TM170101 | 1-1546985-7 | |
| | | 8.000 | 16 | SSB7TM160101 | 1-1546985-6 | |
| | | 7.562 | 15 | SSB7TM150101 | 1-1546985-5 | |
| | | 7.125 | 14 | SSB7TM140101 | 1-1546985-4 | |
| | | 6.687 | 13 | SSB7TM130101 | 1-1546985-3 | |
| | | 6.250 | 12 | SSB7TM120101 | 1-1546985-2 | |
| | 5.812 | 11 | SSB7TM110101 | 1-1546985-1 | | |
| | 5.375 | 10 | SSB7TM100101 | 1-1546985-0 | | |
| | 4.937 | 9 | SSB7TM090101 | 1546985-9 | | |
| | ④ | OBSOLETE | 4.500 | 8 | SSB7TM080101 | 1437417-9 |
| | ④③② | OBSOLETE | 4.062 | 7 | SSB7TE070103 | 7-1437416-7 |
| | ④③ | OBSOLETE | 4.062 | 7 | SSB7TE070101 | 7-1437416-6 |
| | ④ | OBSOLETE | 4.062 | 7 | SSB7TM070101 | 1546985-7 |
| | ④② | OBSOLETE | 3.625 | 6 | SSB7TM060103 | 3-1546561-7 |
| | ④① | OBSOLETE | 3.625 | 6 | SSB7TM060104 | 796602-4 |
| | ④ | OBSOLETE | 3.625 | 6 | SSB7TM060101 | 1437417-7 |
| | ④ | OBSOLETE | 3.187 | 5 | SSB7TM050101 | 1546985-5 |
| | ③ | | 2.750 | 4 | SSB7TE040101 | 2-1546561-0 |
| | ④ | OBSOLETE | 2.750 | 4 | SSB7TM040101 | 1437417-6 |
| | ④ | OBSOLETE | 2.312 | 3 | SSB7TM030101 | 1546985-3 |
| | ④③ | OBSOLETE | 1.875 | 2 | SSB7TE020101 | 7-1437416-2 |
| | ④ | OBSOLETE | 1.875 | 2 | SSB7TM020101 | 1546985-2 |
| | ④ | OBSOLETE | 1.437 | 1 | SSB7TM010101 | 1546985-1 |
| | | DIM A | NO. OF POS. | CATALOG NUMBER | PART NUMBER | |

| | | | | | |
|--|--|-------------------------|---|------------|---------------|
| THIS DRAWING IS A CONTROLLED DOCUMENT. | | DWN S SCHL GEL 11/17/06 | Tyco Electronics Corporation Harrisburg, PA 17105-3608 | | |
| DIMENSIONS: INCHES | | CHK S YODER 11/17/06 | NAME | | |
| TOLERANCES UNLESS OTHERWISE SPECIFIED: | | APVD S YODER 11/17/06 | SSB7TMXX0101 | | |
| 0 PLC ± - | | PRODUCT SPEC | - | | |
| 1 PLC ± - | | APPLICATION SPEC | - | | |
| 2 PLC ± .02 | | SIZE | CAGE CODE | DRAWING NO | RESTRICTED TO |
| 3 PLC ± .010 | | - | - | - | - |
| 4 PLC ± - | | WEIGHT | A3 | 00779 | G-796602-4 |
| ANGLES ± 1° | | CUSTOMER DRAWING | SCALE | SHEET | REV |
| FINISH | | - | NTS | 1 OF 2 | A1 |

4

3

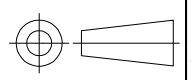
2

1

THIS DRAWING IS UNPUBLISHED. RELEASED FOR PUBLICATION
 © COPYRIGHT - BY TYCO ELECTRONICS CORPORATION. ALL RIGHTS RESERVED.

| LOC | DIST | REVISIONS | | | | | |
|-----|------|-----------|-----|-------------|------|-----|------|
| FT | 0 | P | LTR | DESCRIPTION | DATE | DWN | APVD |
| | | - | | SEE SHEET 1 | - | - | - |

| | | | | |
|----------|--------|-------------|----------------|-------------|
| OBSOLETE | 11.937 | 25 | SSB7TM250101 | 2-1546985-5 |
| | 11.500 | 24 | SSB7TM240101 | 2-1546985-4 |
| | 11.062 | 23 | SSB7TM230101 | 2-1546985-3 |
| | 10.625 | 22 | SSB7TM220101 | 2-1546985-2 |
| | DIM A | NO. OF POS. | CATALOG NUMBER | PART NUMBER |

| | | | | | | | | |
|---|--|---|----------|------------------------------|-----------------|--------------------|--------------------------|--------------------|
| THIS DRAWING IS A CONTROLLED DOCUMENT. | | DWN S SCHLGEL | 11/17/06 | Tyco Electronics Corporation | | | | |
| | | CHK S YODER | 11/17/06 | Harrisburg, PA 17105-3608 | | | | |
| DIMENSIONS: INCHES | | APVD S YODER | 11/17/06 | NAME SSB7TMXX0101 | | | | |
|  | | TOLERANCES UNLESS OTHERWISE SPECIFIED: | | PRODUCT SPEC - | | | | |
| | | 0 PLC ± - 1 PLC ± - 2 PLC ± .02 3 PLC ± .010 4 PLC ± - ANGLES ± 1° | | APPLICATION SPEC - | | | | |
| MATERIAL - | | FINISH - | | WEIGHT - | SIZE A3 | CAGE CODE 00779 | DRAWING NO G-796602-4 | RESTRICTED TO - |
| CUSTOMER DRAWING | | | | SCALE NTS | SHEET 2 OF 2 | REV A1 | | |