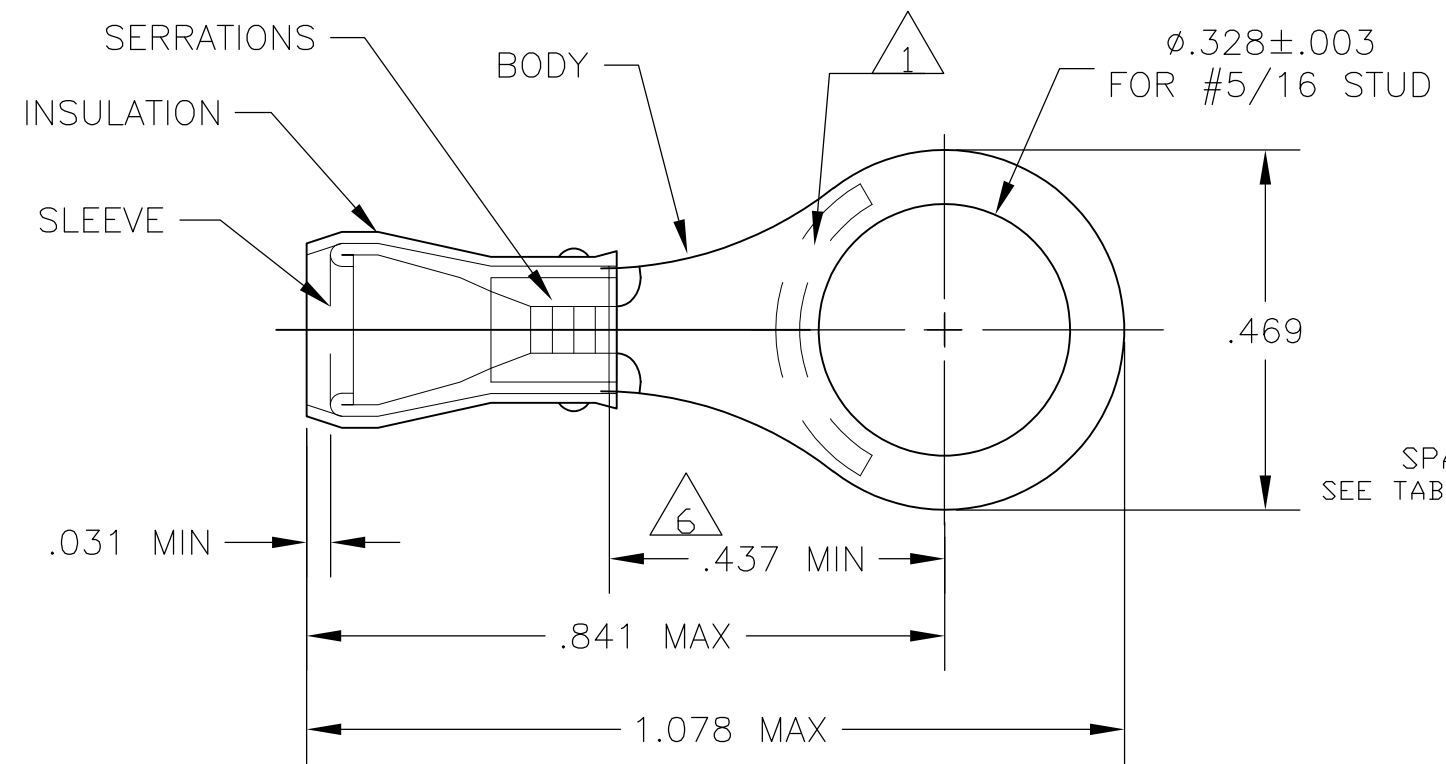
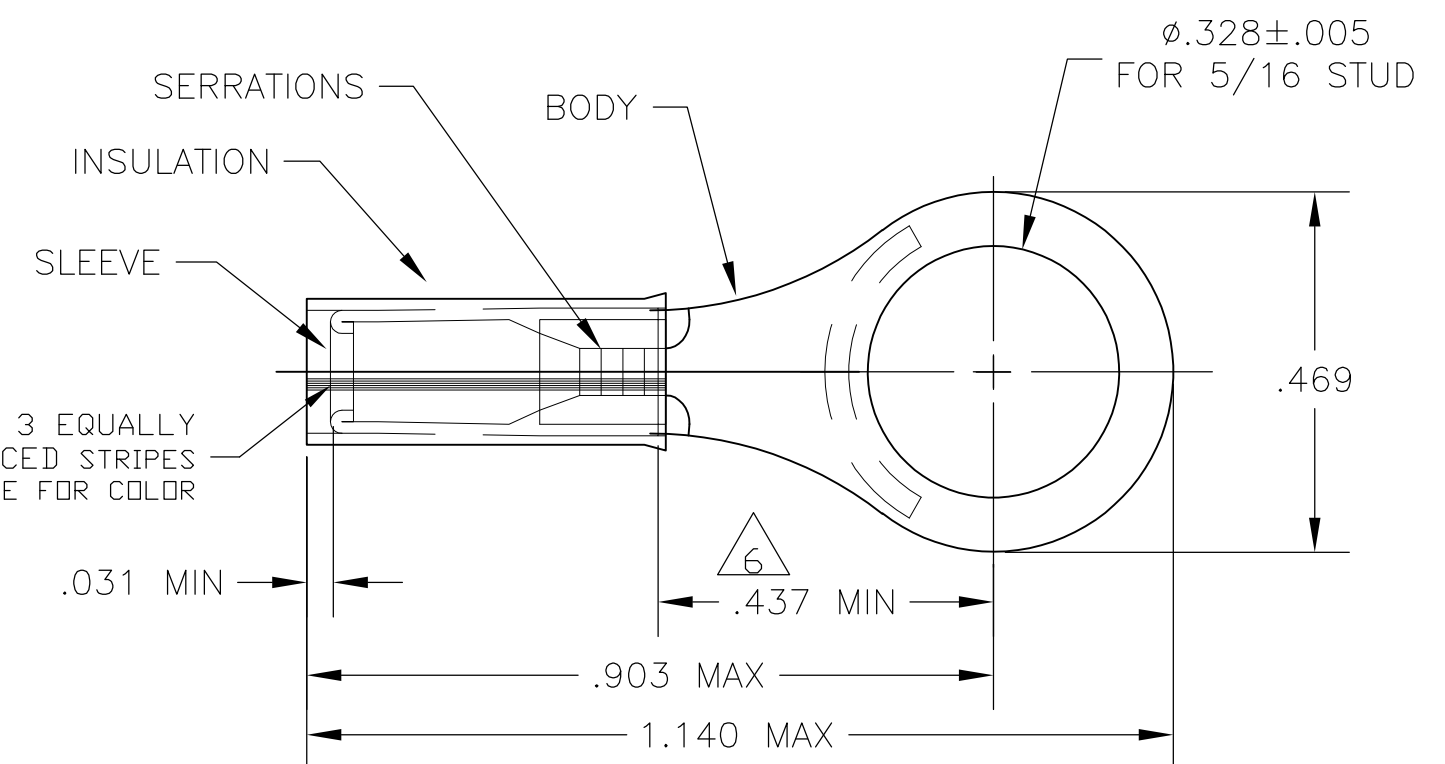


THIS DRAWING IS UNPUBLISHED. RELEASED FOR PUBLICATION
 © COPYRIGHT BY TYCO ELECTRONICS CORPORATION. ALL RIGHTS RESERVED.

LOC	DIST	REVISIONS					
G	14	P	LTR	DESCRIPTION	DATE	DWN	APVD
		R2		REV PER ECR 09-026553	08DEC09	JR	TM



STYLE "A"



STYLE "B"
INSULATION RESTRICTING

- 1 STAMP (SEE TABLE) APPROX AS SHOWN
- 2 WIRE INSULATION DIA: SEE TABLE
- 3 TONGUE MATERIAL THK: $.031 \pm .002$
- 4 BODY & SLEEVE: TIN PLATE PER ASTM B545
INSULATION: NYLON (MIL-M-20693), TYPE 1
- 5 BODY & SLEEVE- COPPER PER ASTM B152
INSULATION - COLOR - BLUE
- 6 APPLIES FROM EDGE OF METAL WIRE BARREL
TO CENTER OF STUD HOLE.
- 7 MEETS MS25036-109, CLASS 1 & 2
- 8 MEETS MS25036-109, CLASS 2
- 9 MEETS M7928/1-44, CLASS 1 & 2
- 10 MEETS M7928/1-53, CLASS 1 & 2

-	-	AMP 16-14*	.105-.150	16-14	A	100	LOOSE PIECE BOX	8-320575-1
2-320575-5	GREEN	AMP 14*	.078-.130	14	B	1	INSULATION RESTRICTING	10 2-320575-3
2-320575-4	BLUE	AMP 16*	.063-.130	16	B	1	INSULATION RESTRICTING	9 2-320575-2
8 2-320575-1	-	AMP 16-14*	.105-.150	16-14	A	1	WIRE TERMINAL	7 320575
PART NO. ON TAPE	COLOR CODE STRIPE	STAMPING	WIRE INS. DIA	WIRE SIZE	STYLE	QTY	DESCRIPTION	PART NO
THIS DRAWING IS A CONTROLLED DOCUMENT.			DWN JR RUTH 09SEPT09		Tyco Electronics Corporation Harrisburg, Pa 17105-3608			
DIMENSIONS: INCHES			TOLERANCES UNLESS OTHERWISE SPECIFIED:		NAME: T MICHELUTTI 09SEPT09			
MATERIAL			FINISH		PRODUCT SPEC: T MICHELUTTI 09SEPT09			
-			-		APPLICATION SPEC: -			
-			-		WEIGHT: -			
-			-		SIZE: A3 CAGE CODE: 00779 DRAWING NO: C-320575 RESTRICTED TO: -			
-			-		CUSTOMER DRAWING SCALE: 4:1 SHEET: 1 OF 1 REV: R2			