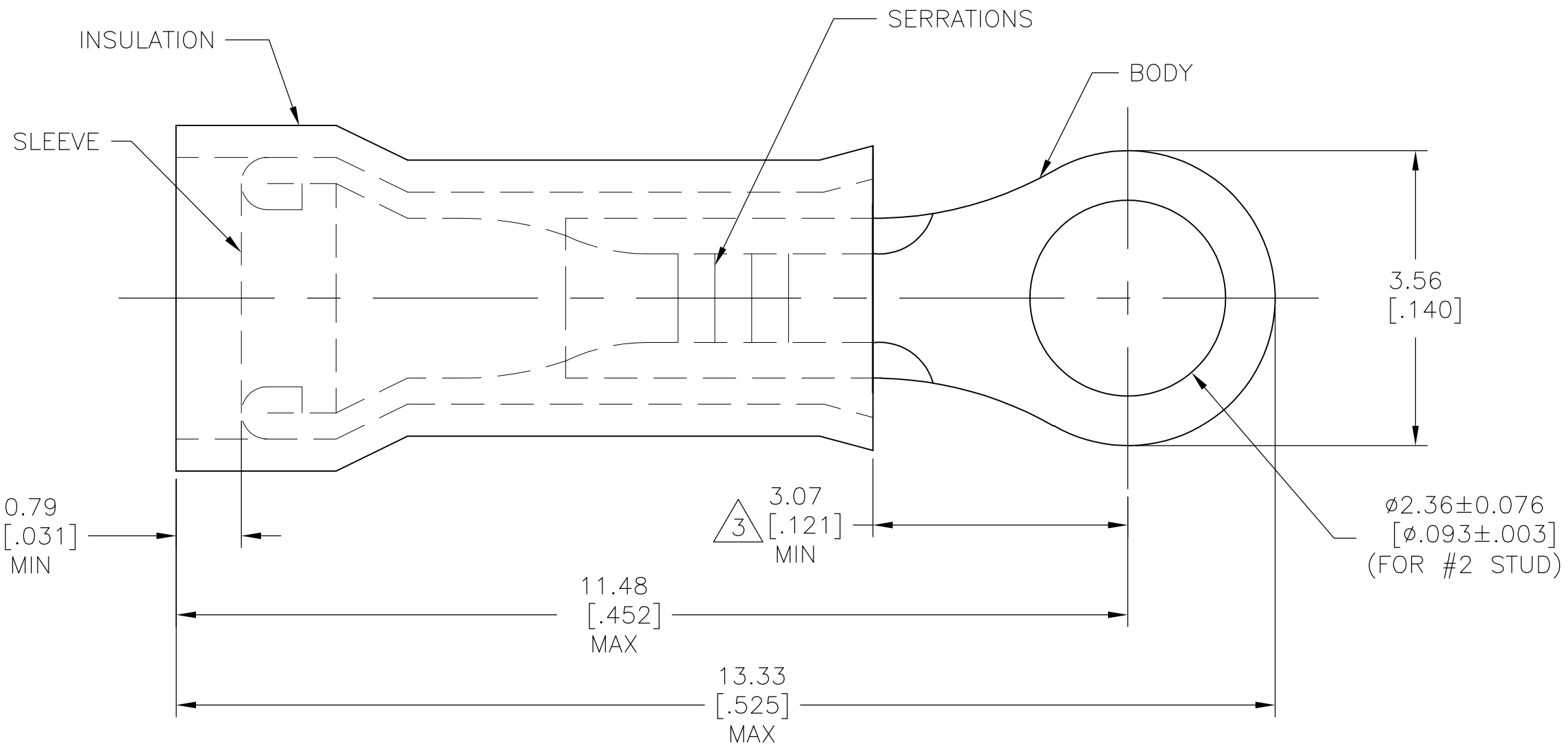


THIS DRAWING IS UNPUBLISHED. RELEASED FOR PUBLICATION
 © COPYRIGHT BY TYCO ELECTRONICS CORPORATION. ALL INTERNATIONAL RIGHTS RESERVED.

LOC G	DIST 14	REVISIONS		
P	LTR	DESCRIPTION	DATE	DWN
	H1	REVISED PER ECR-10-004379	18MAR10	HMR
				APVD JR



100	LOOSE PIECE, BOX	BODY & SLEEVE: COPPER ASTM-B152 TIN PL ASTM-B545	8-323912-1
4000	323912 ON TAPE		2-323912-1
1	WIRE TERMINAL	INSULATION: NYLON ASTM-D4066 COLOR: YELLOW	323912
QTY	DESCRIPTION	MATERIAL & FINISH	PART NO

- 1 FOR 1.27[.050] TO 2.08[.082] WIRE INSULATION DIA
- 2 TONGUE MATERIAL THK 0.46±0.05[.018±.002]

3 APPLIES FROM EDGE OF METAL BARREL TO CENTERLINE OF STUD HOLE.

THIS DRAWING IS A CONTROLLED DOCUMENT.		DWN RAGHAVENDRA 18MAR10	Tyco Electronics Corporation Harrisburg, PA 17105-3608	
DIMENSIONS: mm [INCHES]		CHK JEFF RUTH 18MAR10	NAME	
TOLERANCES UNLESS OTHERWISE SPECIFIED:		APVD TOM MICHIELUTTI 18MAR10	WIRE TERMINAL PIDG - RING TONGUE WIRE SIZE: 26-22	
0 PLC ± -		PRODUCT SPEC	SIZE	CAGE CODE
1 PLC ± -		APPLICATION SPEC	DRAWING NO	RESTRICTED TO
2 PLC ± -		WEIGHT	A3	00779
3 PLC ± 0.20[.008]			G-323912	
4 PLC ± -			SCALE	SHEET
ANGLES ± 0° 30'			16:1	1 OF 1
MATERIAL SEE TABLE	FINISH SEE TABLE	CUSTOMER DRAWING		REV H1