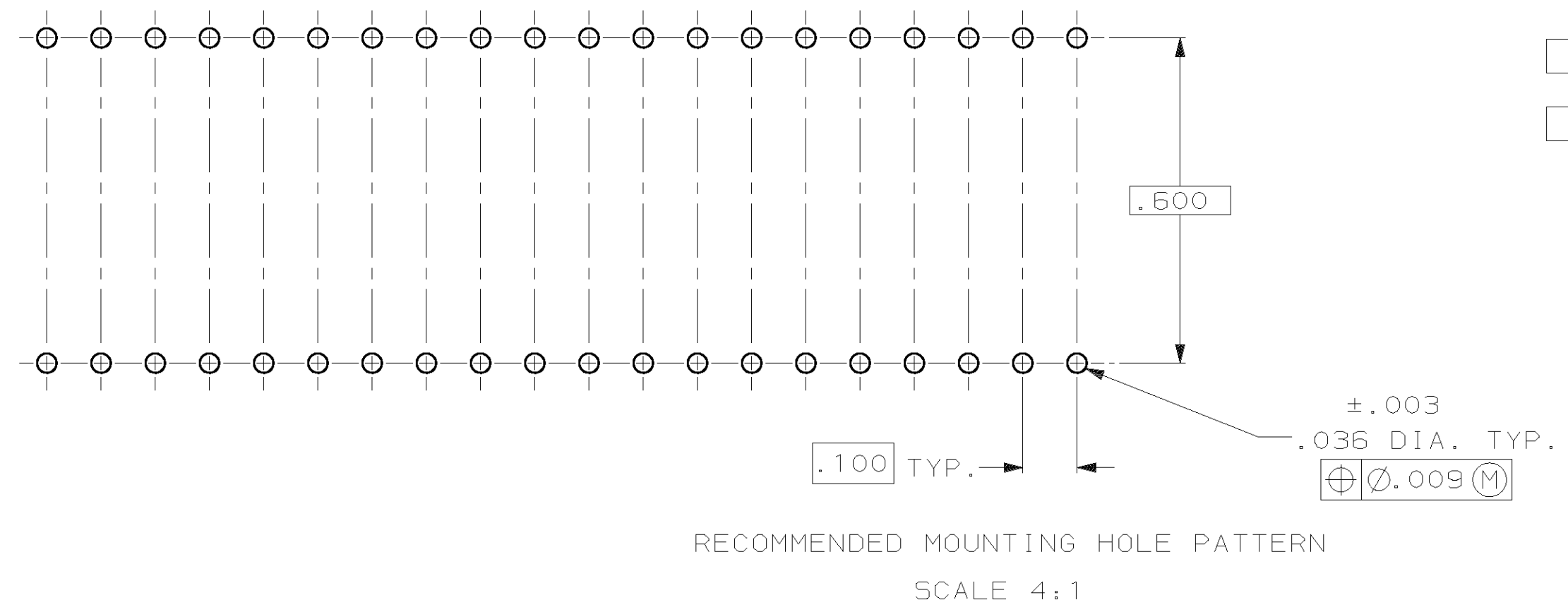
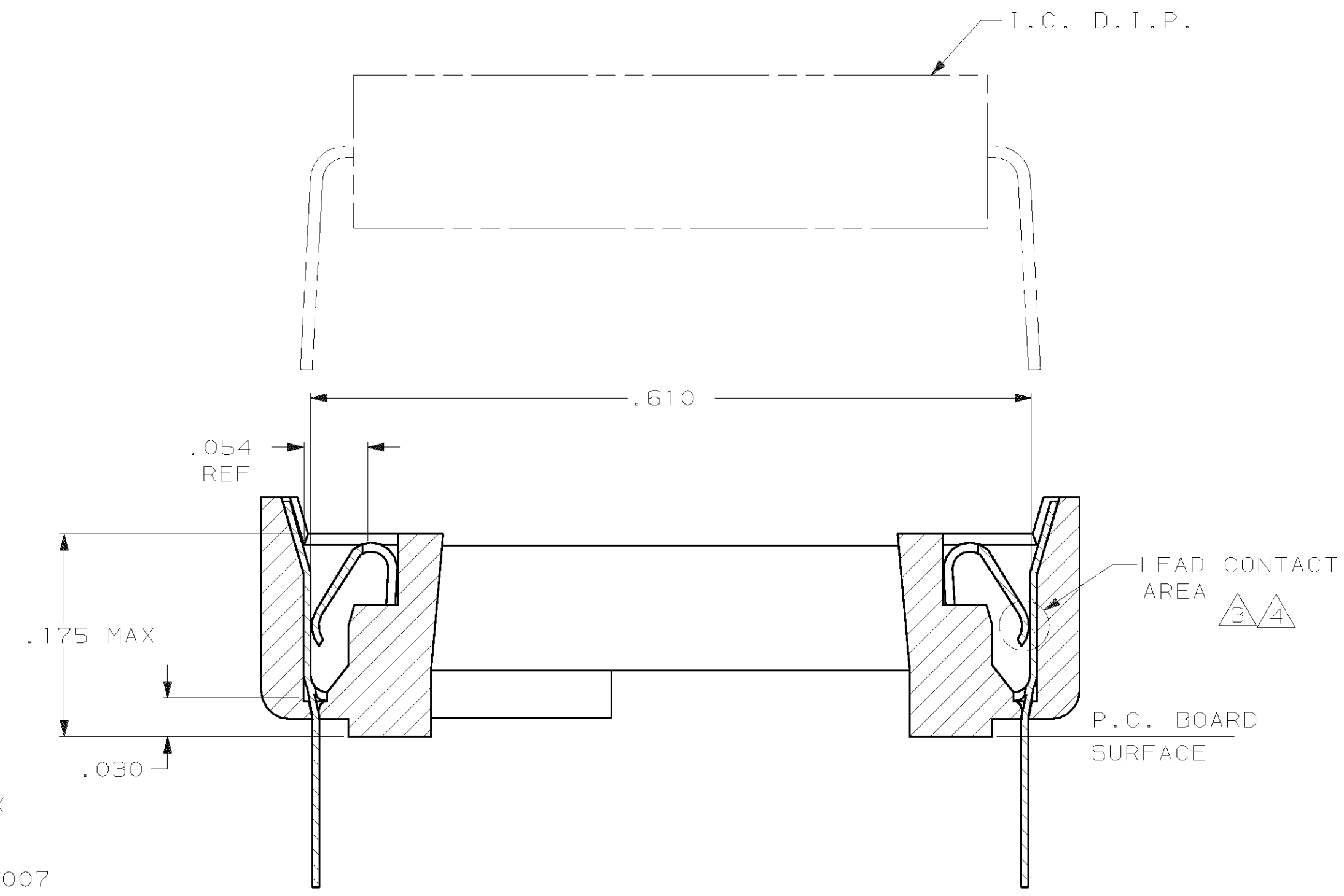
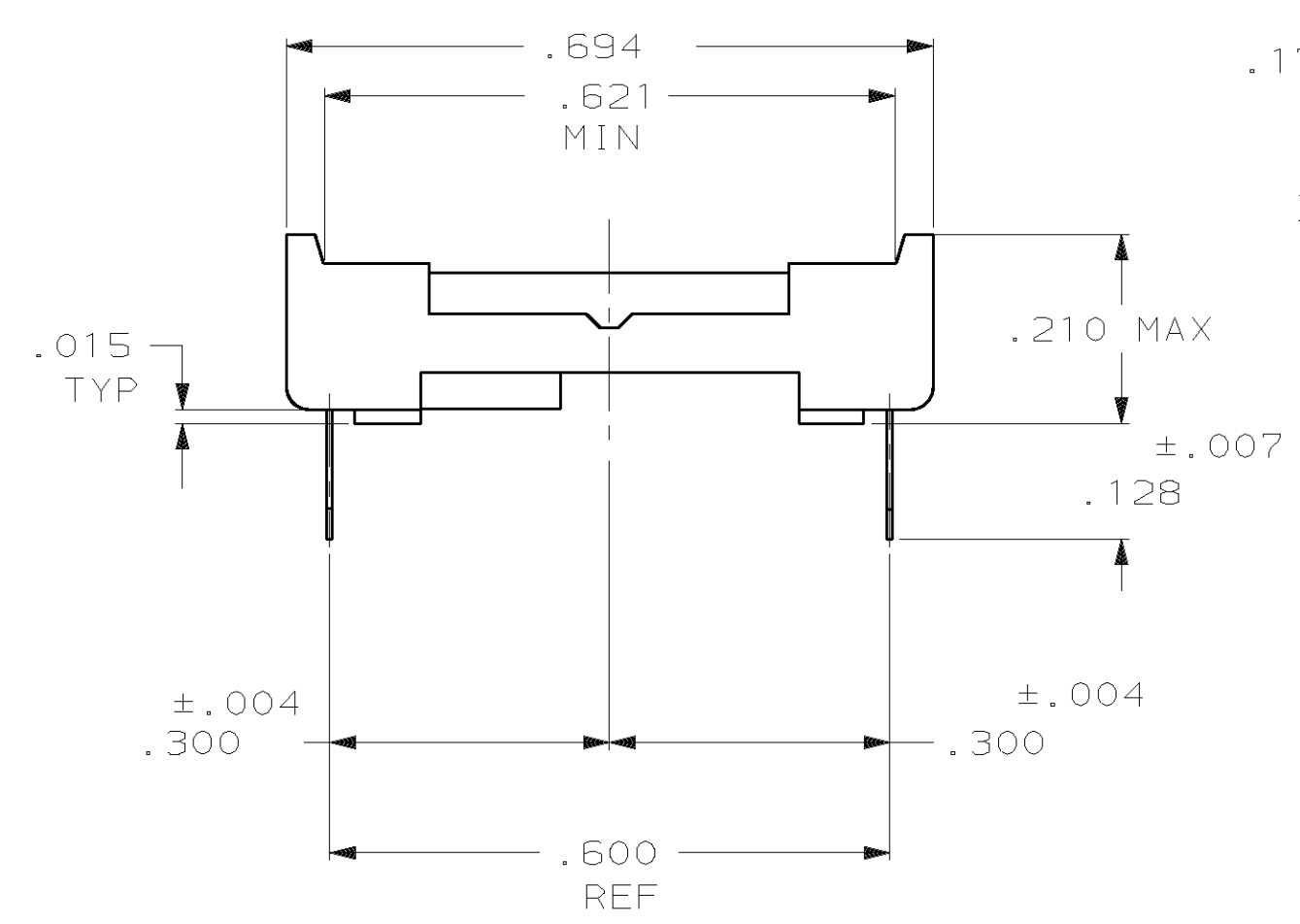
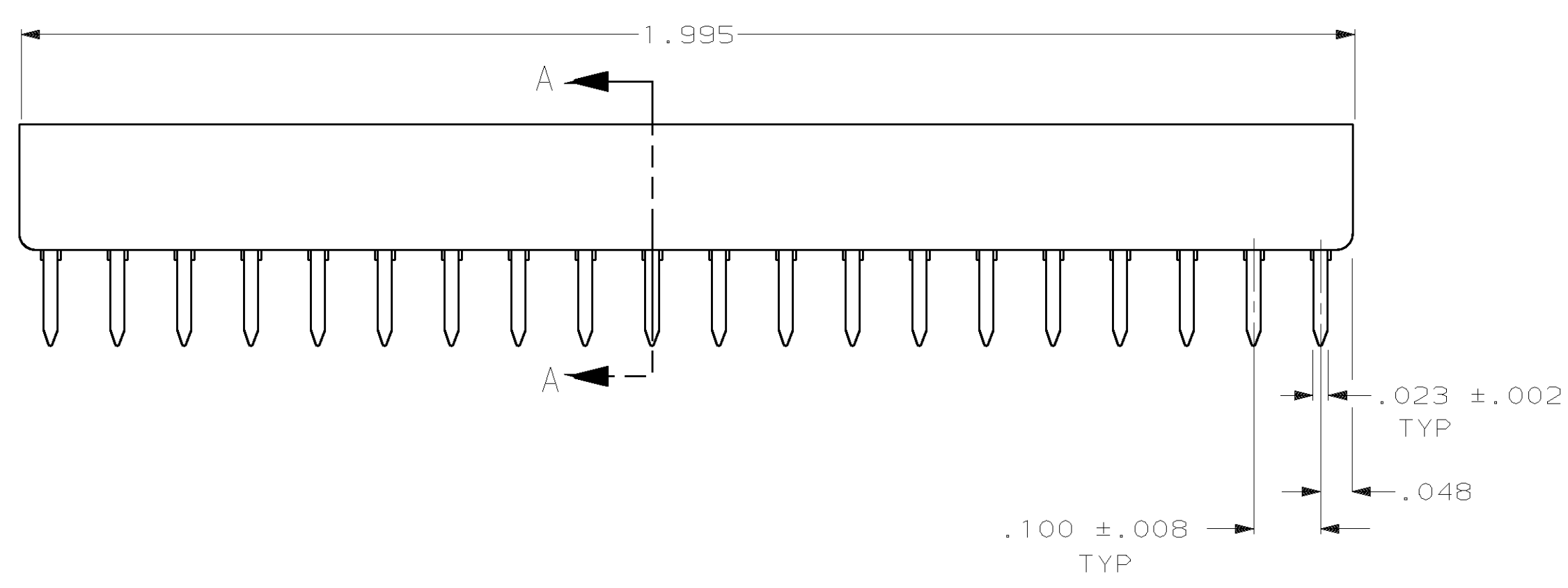
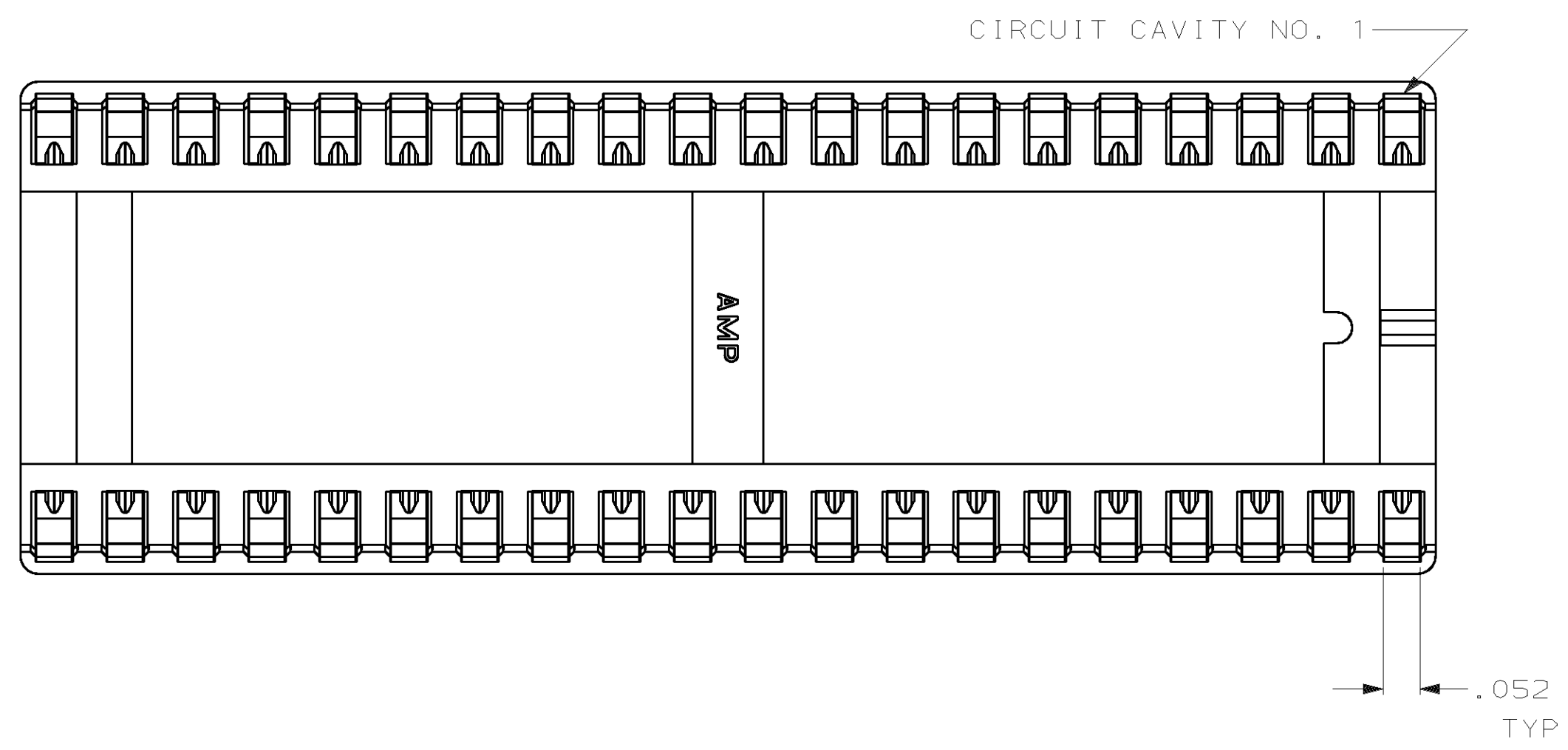


LOC		DIST		P		F		ZONE		LTR		REVISIONS	
AD	0											DATE	APPD
										T	SUPSD 2--5 PER 0160-4756-95	7-11-96	WS
										U	REV PER EC 0320-138-97	07 MAY 97	GJ
										V	SUPSD -21, -23 AND OBS -25, -43 PER EC 063C-146-99	17 APR 00	SR

- RECEPTACLE ACCEPTS A .008-.014 THICK I.C. LEAD.
- TUBE LOADED FOR AUTOMATIC INSERTION.
- TWO .000030 MIN THK. GOLD STRIPES IN CONTACT AREA WITH TIN-LEAD (93/7) ON CONTACT LEGS, BALANCE OF CONTACT NICKEL PLATED.
- TWO .000015 MIN THK. GOLD STRIPES IN CONTACT AREA WITH TIN-LEAD (93/7) ON CONTACT LEGS, BALANCE OF CONTACT NICKEL PLATED.
- SEE RESTRICTED CUSTOMER DRAWING 4-641606-3.



OBSOLETE	TINNED	PHOS.BRZ. .006 THK	GLASS-FILLED THERMOPLASTIC, 94V-0, BLACK	2-641606-5
OBSOLETE		PHOS.BRZ. .006 THK	GLASS-FILLED THERMOPLASTIC, 94V-0, BLACK	2-641606-4
SUPSD BY 390262-5	TINNED	PHOS.BRZ. .006 THK	GLASS-FILLED THERMOPLASTIC, 94V-0, BLACK	2-641606-3
		BE.CU. .006 THK	GLASS-FILLED THERMOPLASTIC, 94V-0, BLACK	2-641606-2
SUPSD BY 390262-5	TINNED	BE.CU. .006 THK	GLASS-FILLED THERMOPLASTIC, 94V-0, BLACK	2-641606-1
CONTACT FINISH		CONTACT MAT'L	HOUSING MATERIAL	PART NO.

UNLESS OTHERWISE SPECIFIED DIMENSIONS ARE IN INCHES TOLERANCES ON :		DR	8-17-87	AMP INCORPORATED Harrisburg, Pa. 17105	
2 PL DEC ±.005		CHK	8-31-87	NAME	
3 PL DEC ±.005		APPD	9-4-87	SOCKET ASSY, DIP, LADDER, 40 POS, DIPLOMATE DL	
ANGLES ±0°30'		APPD		SIZE	
MATERIAL	SEE TABLE	PRODUCT SPEC	108-1066	FSCM NO	00779
FINISH	SEE TABLE	APPLICATION SPEC	114-1049	DRAWING NO	641606
		WEIGHT	-	SCALE	5:1
				SHEET	1 OF 1