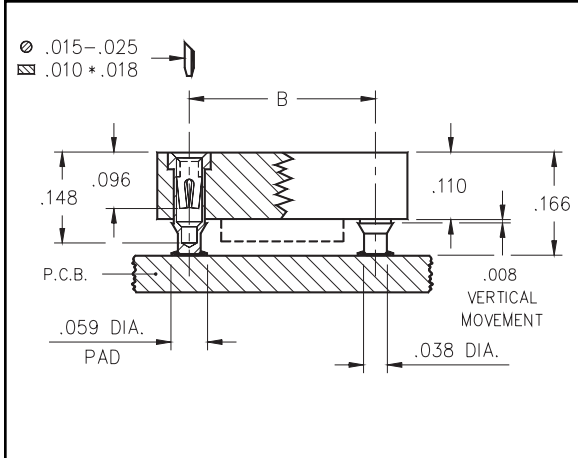




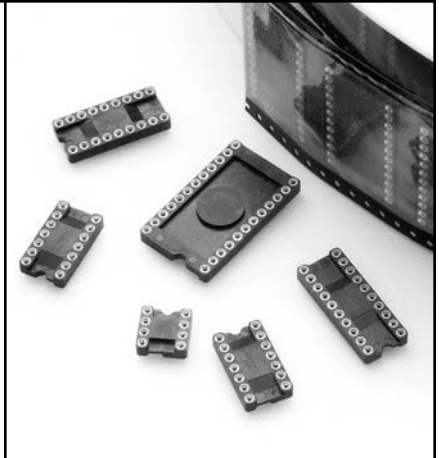
# DUAL-IN-LINE SOCKETS

## Surface Mount, Auto Placement, Stub Tail Closed Frame

Series 214



- Unique floating contacts compensate for the effects of unevenly screened solder paste.
- Available packaged in tubes or on tape & reel per EIA-481.
- High temp. Nylon 46 insulator, is suitable for infra-red & vapor phase soldering. Closed frame insulator is vision system compatible.
- Hi-Rel, 4-finger BeCu #30 contact is rated at 3 amps. See page 218 for details.
- Series 214 use MM #1434 pins. See page 133 for details.



Total number of pins				<b>Ordering Information</b>				
	A	B	C	QTY PER TUBE	TUBE PACKAGING	TAPE & REEL PACKAGING	TAPE WIDTH (mm)	QTY PER REEL
<b>VACUUM PAD TOP SURFACE ONLY</b>								
6	0.3	0.3	0.4	67	214-XX-306-01-670800	214-XX-306-01-670799	16	750
8	0.4	0.3	0.4	50	214-XX-308-01-670800	214-XX-308-01-670799	16	1000
14	0.7	0.3	0.4	28	214-XX-314-01-670800	214-XX-314-01-670799	32	750
16	0.8	0.3	0.4	25	214-XX-316-01-670800	214-XX-316-01-670799	32	750
18	0.9	0.3	0.4	22	214-XX-318-01-670800	214-XX-318-01-670799	44	750
20	1.0	0.3	0.4	20	214-XX-320-01-670800	214-XX-320-01-670799	44	750
<b>VACUUM PAD TOP AND BOTTOM</b>								
24	1.2	0.6	0.7	16	214-XX-624-01-670800	214-XX-624-01-670799	44	400
28	1.4	0.6	0.7	14	214-XX-628-01-670800	214-XX-628-01-670799	56	400
32	1.6	0.6	0.7	12	214-XX-632-01-670800	214-XX-632-01-670799	56	400
40	2.0	0.6	0.7	10	214-XX-640-01-670800	NOT AVAILABLE		

For Electrical, Mechanical & Environmental Data, See pg. 4

XX=Plating Code See Below

For RoHS compliance select  $\diamond$  plating code.



SPECIFY PLATING CODE XX=				<b>99</b>			<b>44</b> $\diamond$
Sleeve (Pin)				200 $\mu$ " Sn/Pb			200 $\mu$ " Sn
Contact (Clip)				200 $\mu$ " Sn/Pb			200 $\mu$ " Sn