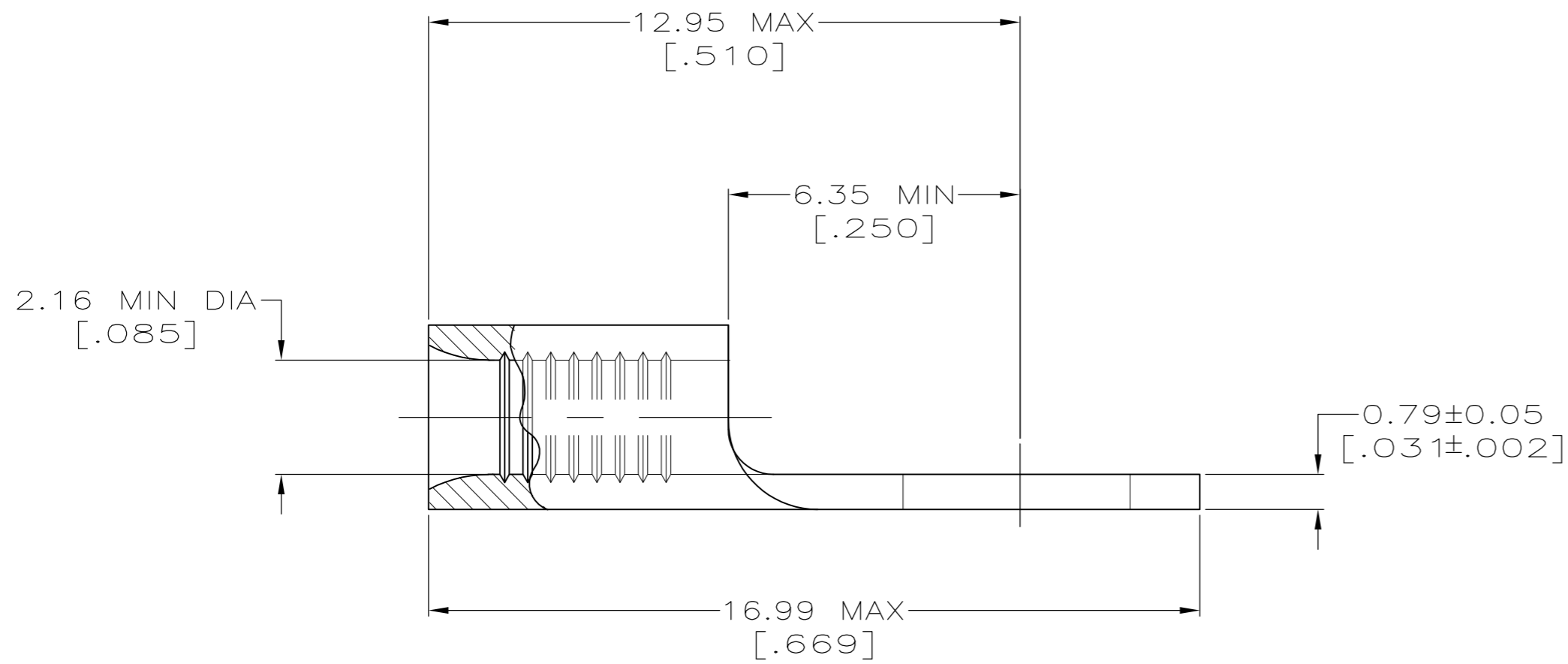
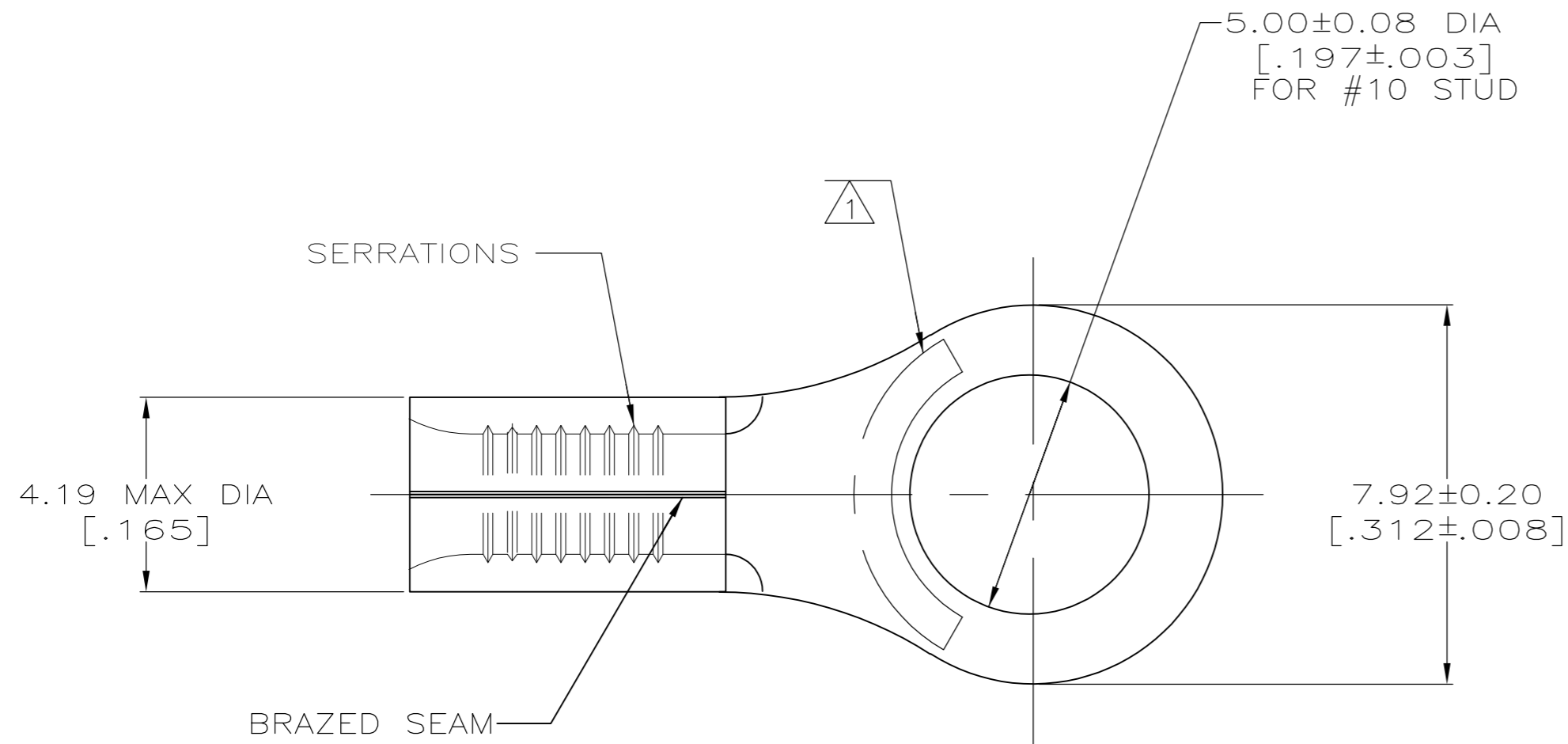


THIS DRAWING IS UNPUBLISHED. RELEASED FOR PUBLICATION
 © COPYRIGHT BY TYCO ELECTRONICS CORPORATION. ALL INTERNATIONAL RIGHTS RESERVED.

| LOC | DIST | REVISIONS | | | | | |
|-----|------|-----------|-----|-----------------------|---------|-----|------|
| G | 14 | P | LTR | DESCRIPTION | DATE | DWN | APVD |
| | | C1 | | REV PER ECR 09-026074 | 30NOV09 | JR | TM |



| | | |
|--------------------------------|--------------------------------|--------------------------------|
| AMP WIRE RANGE | Listed FILE E13288 | LR7189 Certified |
| 16-14 AWG SOLID OR STRANDED | 16-14 AWG SOLID OR STRANDED | 16-14 AWG SOLID OR STRANDED |

- 1 STAMP AMP 16-14* APPROX AS SHOWN
- 2 COPPER PER ASTM B-152, ANNEALED
- 3 TIN PLATE 0.00254 [.000100] MIN THK PER ASTM B-545
- 4 MEETS M7928/7-8, CLASS 1 & 2
- 5 MEETS M7928/7-8, CLASS 2
- 6 RECOMMENDED OPERATING TEM IS 170°C MAX
- 7 WIRE CROSS SECTIONAL AREA RANGE IS 1.04-2,62mm² [2,050-5,180] CMA

| | | | |
|----------|----------------|----------|------------|
| 5000 | ON TAPE | 5 | 2-320093-1 |
| ---- | LOOSE PIECE | 4 | 320093 |
| QUANTITY | PACKAGING TYPE | PART NO. | |

| | | | | |
|--|--|--------------------------------|---|--|
| THIS DRAWING IS A CONTROLLED DOCUMENT. | | DWN TA BRINKMAN 3-17-93 | Tyco Electronics Corporation Harrisburg, PA 17105-3608 | |
| DIMENSIONS: mm [INCHES] | | CHK DA PATTERSON 3-17-93 | NAME JL MECKLEY | |
| TOLERANCES UNLESS OTHERWISE SPECIFIED: | | APVD 3-17-93 | PRODUCT SPEC | |
| 0 PLC ± - | | APPLICATION SPEC | | |
| 1 PLC ± - | | WEIGHT | | |
| 2 PLC ± - | | SIZE A2 | | |
| 3 PLC ± - | | CAGE CODE 00779 | | |
| 4 PLC ± - | | DRAWING NO C=320093 | | |
| ANGLES ± - | | RESTRICTED TO | | |
| FINISH | | SCALE 8:1 | | |
| - | | SHEET 1 of 1 | | |
| - | | REV C1 | | |
| CUSTOMER DRAWING | | | | |