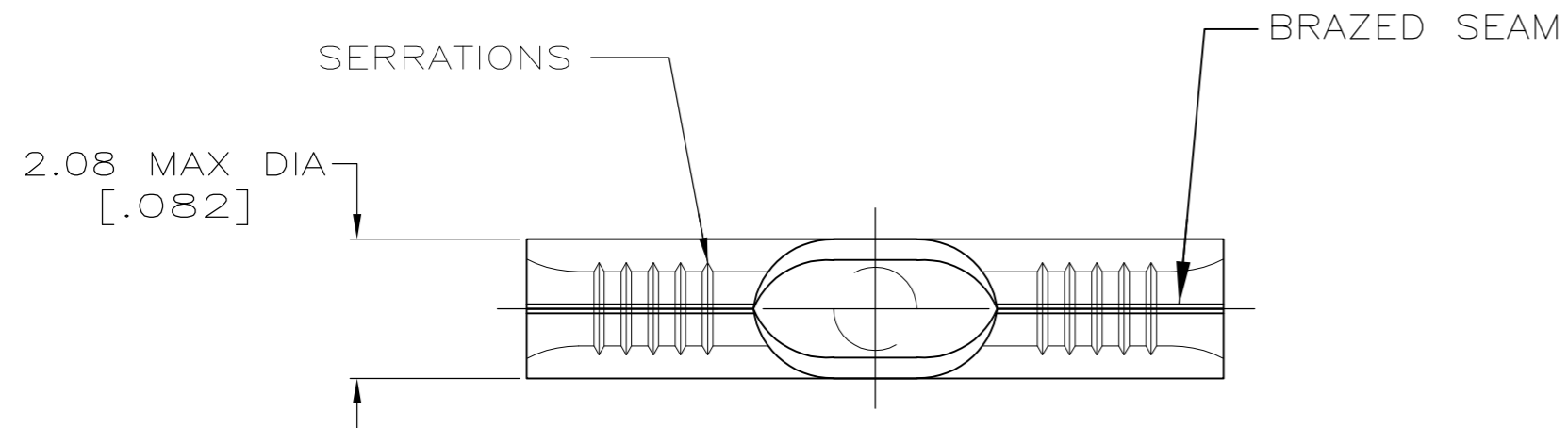


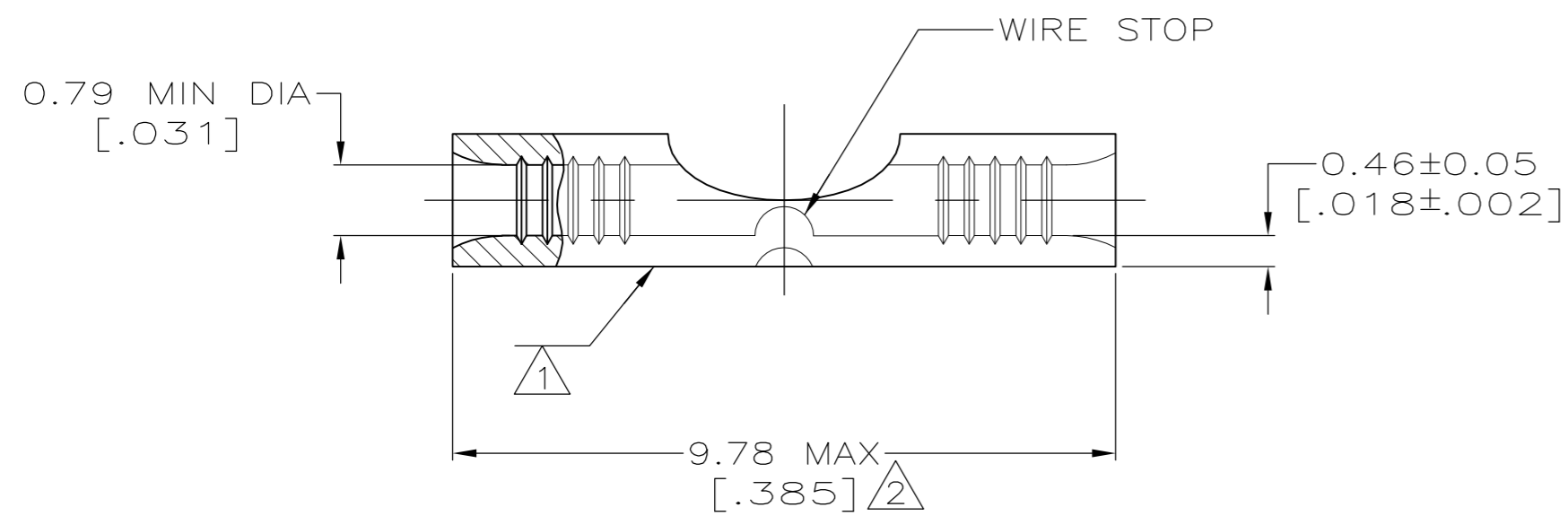
THIS DRAWING IS UNPUBLISHED. RELEASED FOR PUBLICATION
 © COPYRIGHT BY TYCO ELECTRONICS CORPORATION. ALL RIGHTS RESERVED.

LOC	DIST	REVISIONS			
P	LTR	DESCRIPTION	DATE	DWN	APVD
G	14	A1	REV PER ECR 07-019620	17AUG07	JR TM

AMP
 WIRE RANGE
 26-22 AWG
 SOLID OR STRANDED



- 1 STAMP AMP APPROX AS SHOWN
- 2 MAXIMUM LENGTH DOES NOT INCLUDE MANUFACTURING TABS
- 3 COPPER PER ASTM B-152, ANNEALED



GOLD PLATE 0.00127[.000050] MIN THK PER MIL-G-45204 OVER	324369
NICKEL PLATE 0.00762[.000030] MIN THK PER QQ-N-290	
FINISH	PART NO.

AMP INCORPORATED CUSTOMER SERVICE SYSTEMS		MAX RECOMMENDED OPERATING TEMPERATURE: 260°C
FOR ADDITIONAL PRODUCT INFORMATION OR COPIES OF DRAWINGS AND TECHNICAL DOCUMENTS	PRODUCT INFORMATION CENTER 1-800-522-6752	VOLTAGE RATING: N/A
FOR APPLICATION TOOLING INFORMATION	TOOLING ASSISTANCE CENTER 1-800-722-1111	CIRCULAR MIL AREA: 0.1-0.41mm² [202-810] SOLID OR STRANDED
FOR ORDER ENTRY	1-800-526-5142	THIS DRAWING IS A CONTROLLED DOCUMENT FOR AMP INCORPORATED. IT IS SUBJECT TO CHANGE AND THE CONTROLLING ENGINEERING ORGANIZATION SHOULD BE CONTACTED FOR THE LATEST REVISION.

THIS DRAWING IS A CONTROLLED DOCUMENT.		DWN TA BRINKMAN 6-15-93	TycO Electronics Tyco Electronics Corporation Harrisburg, PA 17105-3608	
DIMENSIONS: MM [INCHES]		CHK DA PATTERSON 6-15-93	NAME JL MECKLEY	
TOLERANCES UNLESS OTHERWISE SPECIFIED:		APVD JL MECKLEY 6-15-93	PRODUCT SPEC SPLICE, BUTT, STRAP, SOLISTRAND	
0 PLC ± - 1 PLC ± - 2 PLC ± - 3 PLC ± - 4 PLC ± - ANGLES ± -		APPLICATION SPEC -	SIZE A2	CAGE CODE 00779
MATERIAL 3	FINISH SEE TABLE	WEIGHT -	DRAWING NO C=324369	RESTRICTED TO -
CUSTOMER DRAWING			SCALE 10:1	SHEET 1 OF 1
			REV A1	