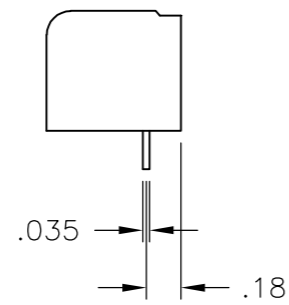
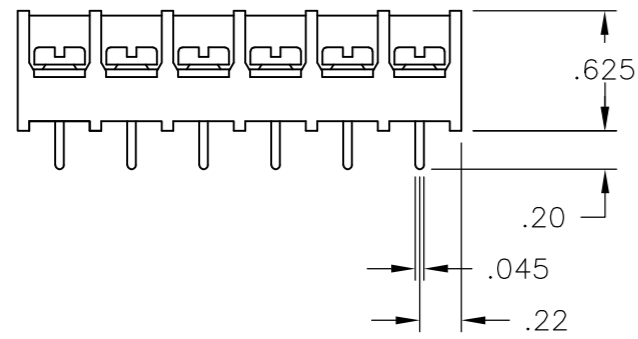
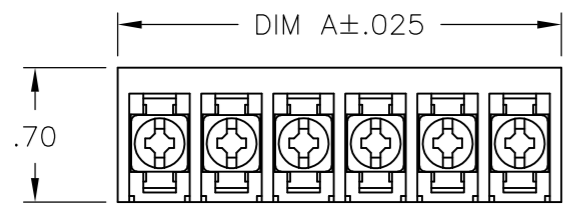


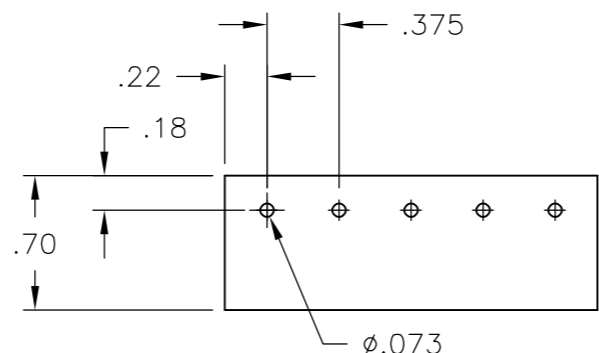
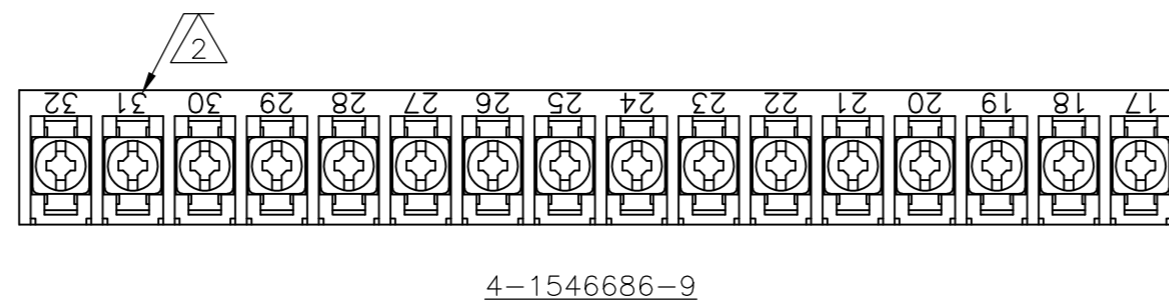
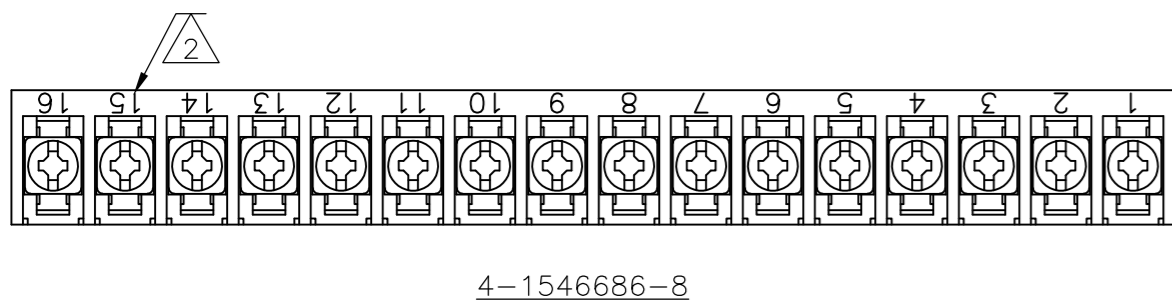
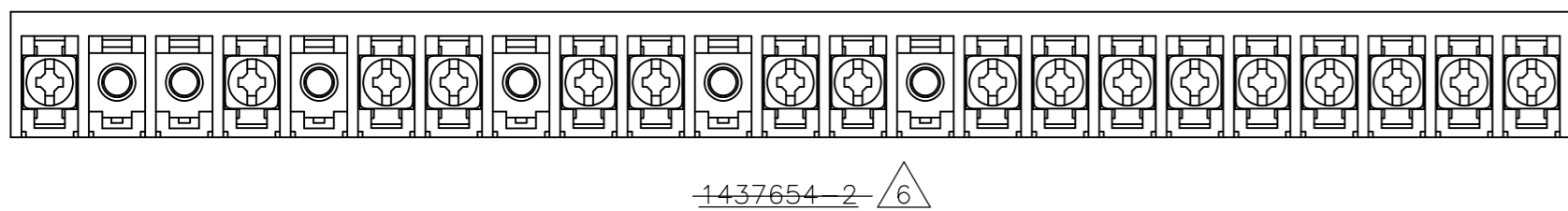
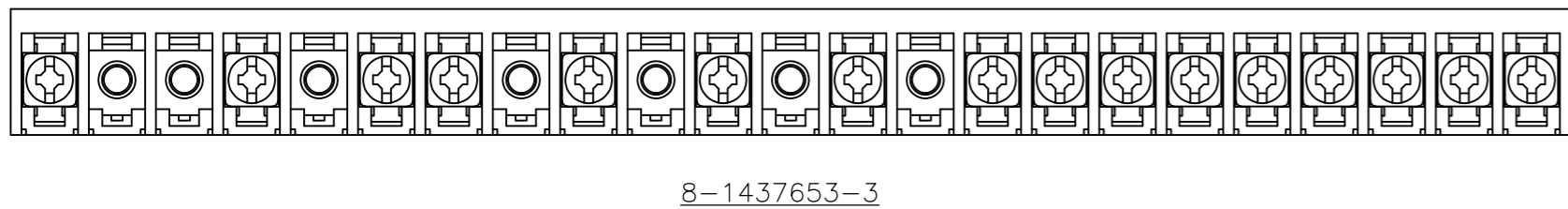
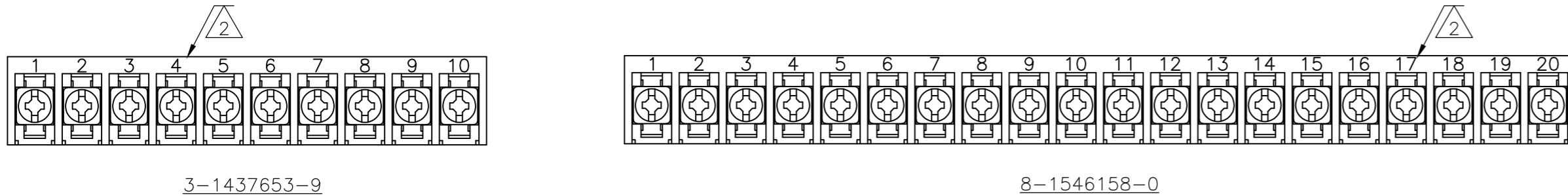
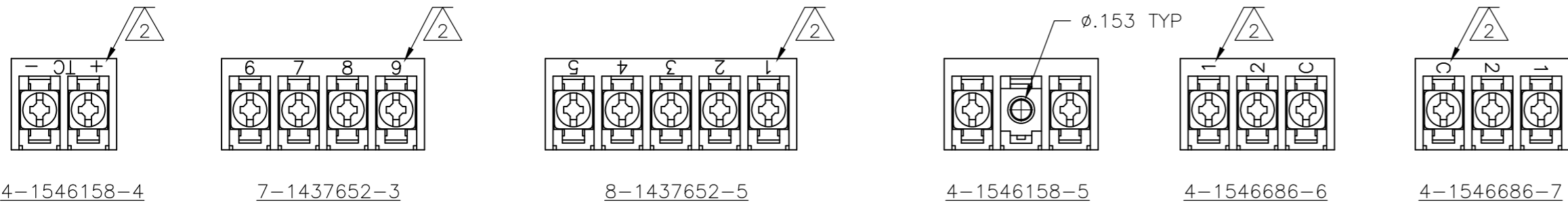
THIS DRAWING IS UNPUBLISHED. RELEASED FOR PUBLICATION
 © COPYRIGHT BY TYCO ELECTRONICS CORPORATION. ALL INTERNATIONAL RIGHTS RESERVED.

LOC	DIST	REVISIONS					
FT	0	P	LTR	DESCRIPTION	DATE	DWN	APVD
		K1		REVISED PER ECO-10-000445	19JAN10	KK	HMR



DETAIL FOR P/N's 1-1546160-6, 1-1546160-7 AND 1-1546160-8

- 1 CAPTIVE SCREWS.
- 2 MARK WITH WHITE PERMANENT INK.
- 3 ALL SCREWS TO BE DRIVEN DOWN TO TERMINAL SURFACE.
- 4 NICKEL PLATED BRASS SCREWS.
- 5 PRELIMINARY PART NUMBER.
- 6 OBSOLETE PARTS: OBSOLETE CIS STREAMLINING PER D.RENAUD/D.SINISI



RECOMMENDED PCB LAYOUT

MATERIAL:
 HOUSING: THERMOPLASTIC, UL94V-0 BLACK.
 TERMINALS: BRIGHT TIN PLATED, COPPER ALLOY.
 SCREWS: 6-32, STEEL, ZINC PLATED WITH CLEAR CHROMATE.

ELECTRICAL:
 CURRENT RATING UL/CSA:
 CLASS C: 25A, 300V.
 CLASS D: 5A, 600V.
 WIRE RANGE: 12-22 AWG

MECHANICAL:
 RECOMMENDED TIGHTENING TORQUE: 7 IN-LBS.
 OPERATING TEMP.: 105°C MAX

REV	DATE	DESCRIPTION	BY	CHKD	APVD
11.311	30	6PCV-30-006	4-1546686-5		
10.936	29	6PCV-29-006	1-1437656-2		
10.561	28	6PCV-28-006	8-1546158-6		
10.186	27	6PCV-27-006	8-1546158-5		
9.811	26	6PCV-26-006	4-1437654-5		
9.436	25	6PCV-25-006	4-1437654-1		
9.061	24	6PCV-24-006	8-1546158-2		
8.686	23	6PCV-23-006	4-1546686-3		
8.311	22	6PCV-22-006	3-1437654-4		
7.936	21	6PCV-21-006	3-1437654-1		
7.561	20	6PCV-20-323	8-1546158-0		
7.561	20	6PCV-20-006	1-1437654-9		
7.186	19	6PCV-19-006	1-1437654-4		
6.811	18	6PCV-18-006	1437654-7		
6.811	17	6PCV-17-899	1437654-2		
6.436	17	6PCV-17-006	9-1437653-8		
6.061	16	6PCV-16-1389	4-1546686-9		
6.061	16	6PCV-16-1388	4-1546686-8		
6.061	16	6PCV-16-1047	8-1437653-3		
6.061	16	6PCV-16-006	8-1437653-0		
5.686	15	6PCV-15-1298	1-1546160-8		
5.686	15	6PCV-15-006	7-1437653-4		
5.311	14	6PCV-14-006	6-1437653-8		
4.936	13	6PCV-13-1297	1-1546160-7		
4.936	13	6PCV-13-006	6-1437653-3		
4.561	12	6PCV-12-1296	1-1546160-6		
4.561	12	6PCV-12-006	5-1437653-1		
4.186	11	6PCV-11-006	4-1437653-5		
3.811	10	6PCV-10-1269	3-1437653-9		
3.811	10	6PCV-10-006	3-1437653-5		
3.436	9	6PCV-09-002	1546262-3		
3.436	9	6PCV-09-006	2-1437653-5		
3.061	8	6PCV-08-1394	1546262-7		
3.061	8	6PCV-08-1314	1-1437653-7		
3.061	8	6PCV-08-006	1-1437653-3		
2.686	7	6PCV-07-1399	1546262-9		
2.686	7	6PCV-07-006	1437653-7		
2.311	6	6PCV-06-1398	1546262-8		
2.311	6	6PCV-06-002	1546262-4		
2.311	6	6PCV-06-006	9-1437652-5		
1.936	5	6PCV-05-002	5-1546686-0		
1.936	5	6PCV-05-1267	8-1437652-5		
1.936	5	6PCV-05-006	8-1437652-2		
1.561	4	6PCV-04-1268	7-1437652-3		
1.561	4	6PCV-04-1143	7-1437652-2		
1.561	4	6PCV-04-006	6-1437652-7		
1.186	3	6PCV-03-1385	4-1546686-7		
1.186	3	6PCV-03-1384	4-1546686-6		
1.186	3	6PCV-03-006	5-1437652-4		
.811	2	6PCV-02-1393	1546262-6		
1.186	2	6PCV-02-807	4-1546158-5		
.811	2	6PCV-02-1313	4-1437652-5		
.811	2	6PCV-02-1216	4-1546158-4		
.811	2	6PCV-02-006	3-1437652-9		

THIS DRAWING IS A CONTROLLED DOCUMENT.		DWN R BROWN 22APR03	Tyco Electronics Corporation Harrisburg, PA 17105-3608	
DIMENSIONS: INCHES	TOLERANCES UNLESS OTHERWISE SPECIFIED:	CHK H WAKEEM 22APR03	NAME H WAKEEM	
	0 PLC ± -	APVD H WAKEEM 22APR03	PRODUCT SPEC	
	1 PLC ± -		APPLICATION SPEC	
MATERIAL	FINISH	WEIGHT	SIZE A2	CAGE CODE 00779
			DRAWING NO 3-1437652-9	RESTRICTED TO
		CUSTOMER DRAWING	SCALE 1:1	SHEET 1 OF 2
			REV K1	

THIS DRAWING IS UNPUBLISHED. RELEASED FOR PUBLICATION - . - .
 © COPYRIGHT BY TYCO ELECTRONICS CORPORATION. ALL INTERNATIONAL RIGHTS RESERVED.

LOC	DIST	REVISIONS					
FT	0	P	LTR	DESCRIPTION	DATE	DWN	APVD
		-		SEE SHEET 1		-	-

D

D

C

C


B

B

A

A

3-1437652-9

SEE FIGURE 

DIM A REF	NO OF POS	CATALOG NUMBER	PART NUMBER
1.936	5	6PCV-05-006	5-1546686-7
1.186	3	6PCV-03-006-1	5-1546686-6

THIS DRAWING IS A CONTROLLED DOCUMENT.		DWN R BROWN 22APR03	Tyco Electronics Corporation Harrisburg, PA 17105-3608		
DIMENSIONS: INCHES		CHK H WAKEEM 22APR03	NAME 6PCV-XX-006		
TOLERANCES UNLESS OTHERWISE SPECIFIED:		APVD H WAKEEM 22APR03	SIZE A2	CAGE CODE 00779	DRAWING NO 3-1437652-9
0 PLC ± - 1 PLC ± - 2 PLC ± .02 3 PLC ± .010 4 PLC ± - ANGLES ± 1°		PRODUCT SPEC - APPLICATION SPEC -	RESTRICTED TO -		SCALE 1:1
MATERIAL -	FINISH -	WEIGHT -	SHEET 2 of 2		REV K1
CUSTOMER DRAWING					