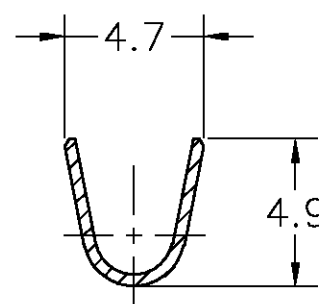
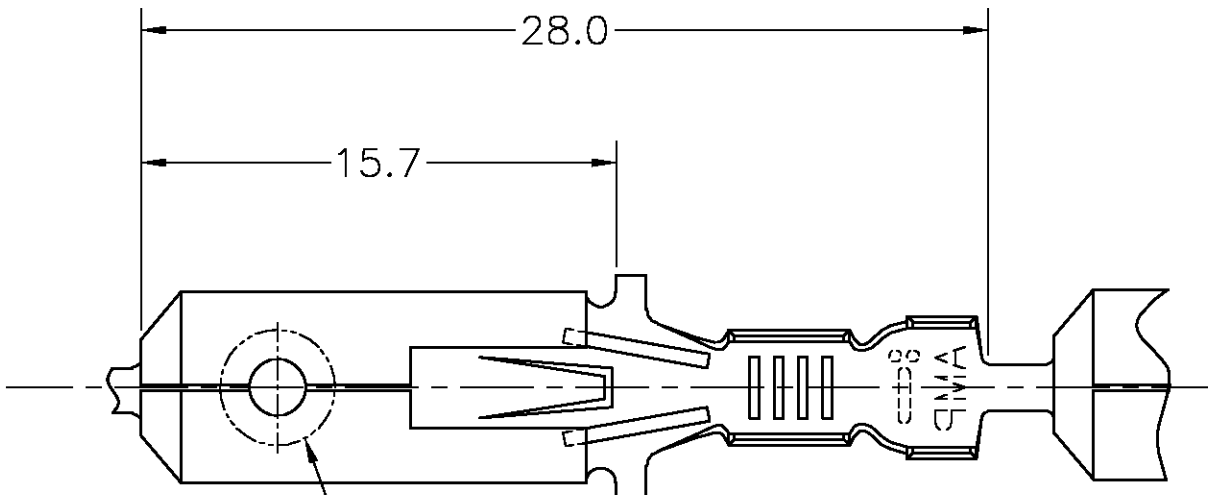
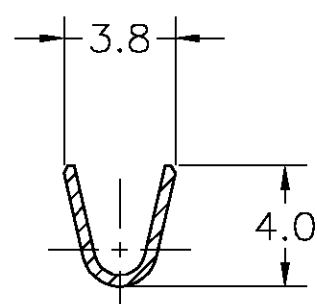




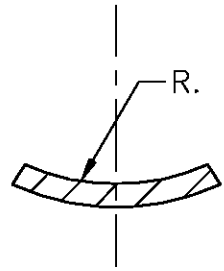
LOC	DIST	REVISIONS					
AP	-	P	LTR	DESCRIPTION	DATE	DWN	APVD
			LT	DESRIÇCO	DATA	DES	APR
			B	NEW DASHES ADDED	EC-111/04	06APR04	MRB PLF



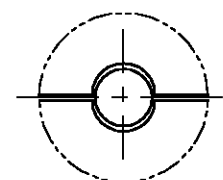
SECTION B-B



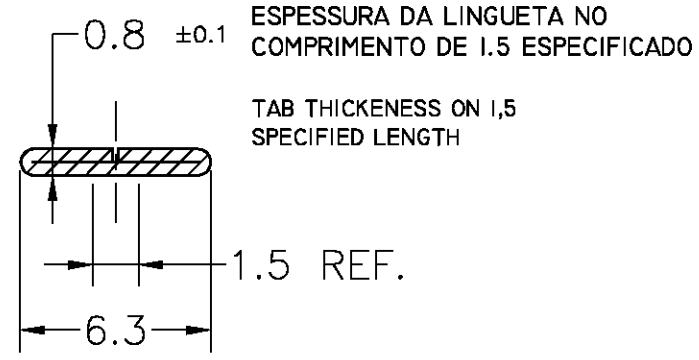
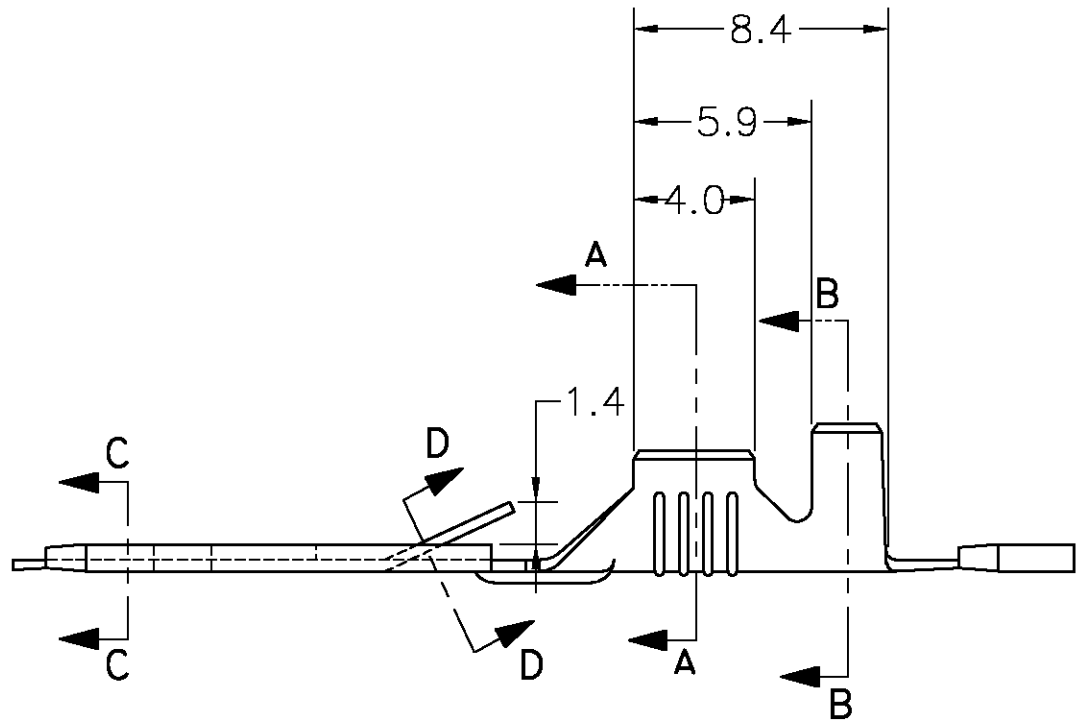
SECTION A-A



SECTION D-D



DETAIL Z  
CONSTRUÇÃO OPCIONAL  
OPTIONAL CONSTRUCTION



SECTION C-C

ESPESSURA DA LINGUETA NO  
COMPRIMENTO DE 1,5 ESPECIFICADO  
TAB THICKNESS ON 1,5  
SPECIFIED LENGTH

WIRE RANGE (mm <sup>2</sup> )	>1,0 - 2,5 mm <sup>2</sup>
INSUL. RANGE (Ø mm)	2,1 - 2,9 mm

①	TIN PLATED / ESTANHADO	BRONZE FOSF./PHOSP. BRONZE	444152-4
②	---	BRONZE FOSF./PHOSP. BRONZE	444152-3
③	TIN PLATED / ESTANHADO	LATÃO / BRASS	444152-2
④	---	LATÃO / BRASS	444152-1
	<b>FINISH</b>	<b>MATERIAL</b>	<b>PART NUMBER</b>

THIS DRAWING IS A CONTROLLED DOCUMENT.

DIMENSIONS: DIMENSÕES MM	TOLERANCES UNLESS OTHERWISE SPECIFIED: TOLERANCIA NÃO ESPECIFICADAS	DWN/DES A.PERUSSI	15SEP99	<b>AMP</b> AMP do BRASIL Ltda. São Paulo - Brasil	
	0 PLC/DEC ± - 1 PLC/DEC ± 0,3 2 PLC/DEC ± - 3 PLC/DEC ± - 4 PLC/DEC ± - ANGLES/ANGULARES ± 1°	CHK/CH P.L.FARIA	APVD/APR L.G.DALTO		NAME DESRIÇCO
		.250 SER. FASTIN - FASTON TAB			
MATERIAL SEE TABLE	FINISH ACABAMENTO SEE TABLE	PRODUCT SPEC -	APPLICATION SPEC -		SIZE A3

CAGE CODE 00779	DRAWING NO DESENHO NO C-444152	RESTRICTED TO -
CUSTOMER DRAWING/DESENHO DE CLIENTE		SCALE ESCALA 4:1
SHEET FOLHA 1	OF DE 1	REV B