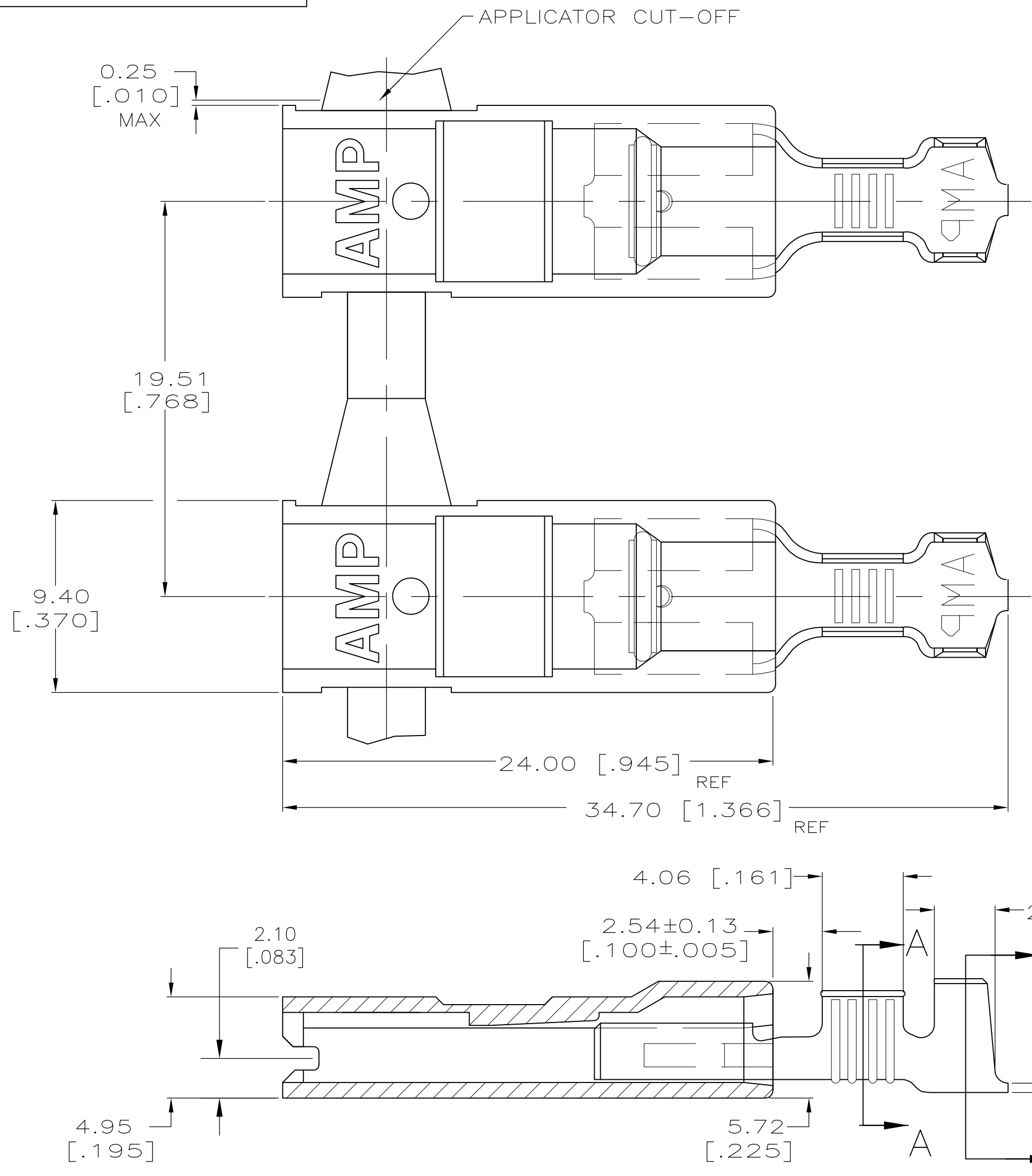


THIS DRAWING IS UNPUBLISHED. RELEASED FOR PUBLICATION
 © COPYRIGHT BY TYCO ELECTRONICS CORPORATION. ALL RIGHTS RESERVED.

LOC	DIST	REVISIONS			
P	LTR	DESCRIPTION	DATE	DWN	APVD
AF	50	D2	REVISED PER ECR-07-016270	23JUL07	HMR GP



1 BUDGET FASTON TERMINALS, BASE.
 P/N 63884, ARE USED IN THIS PRODUCT.

BULK	2.79-4.32 [.110-.170]	0.8-2.0 mm ² [18-14]	0.813 [.032]	5-521094-1
STANDARD				521094-1
PACKAGING	INSULATION RANGE	WIRE SIZE	MATING TAB THK ±0.025 [±.001]	PART NO
THIS DRAWING IS A CONTROLLED DOCUMENT.		DWN JR RUTH 11/27/95	Tyco Electronics Corporation Harrisburg, PA 17105-3608	
DIMENSIONS: INCHES		CHK MS FEHER 11/27/95	NAME	
TOLERANCES UNLESS OTHERWISE SPECIFIED:		APVD D BRATINA 11/27/95	PRODUCT SPEC	
0 PLC ± -		108-1285		
1 PLC ± -		APPLICATION SPEC		
2 PLC ± -		114-2124		
3 PLC ± 0.25 [.010]		SIZE CAGE CODE DRAWING NO RESTRICTED TO		
4 PLC ± -		A2 00779 C=521094		
ANGLES ± -		WEIGHT -		
FINISH		CUSTOMER DRAWING		
HOUSING - 6/8 NYLON TERMINAL - 4M HARD BRASS		HOUSING - NATURAL TERMINAL - PLAIN		
		SCALE 5:1 SHEET 1 of 1 REV D2		