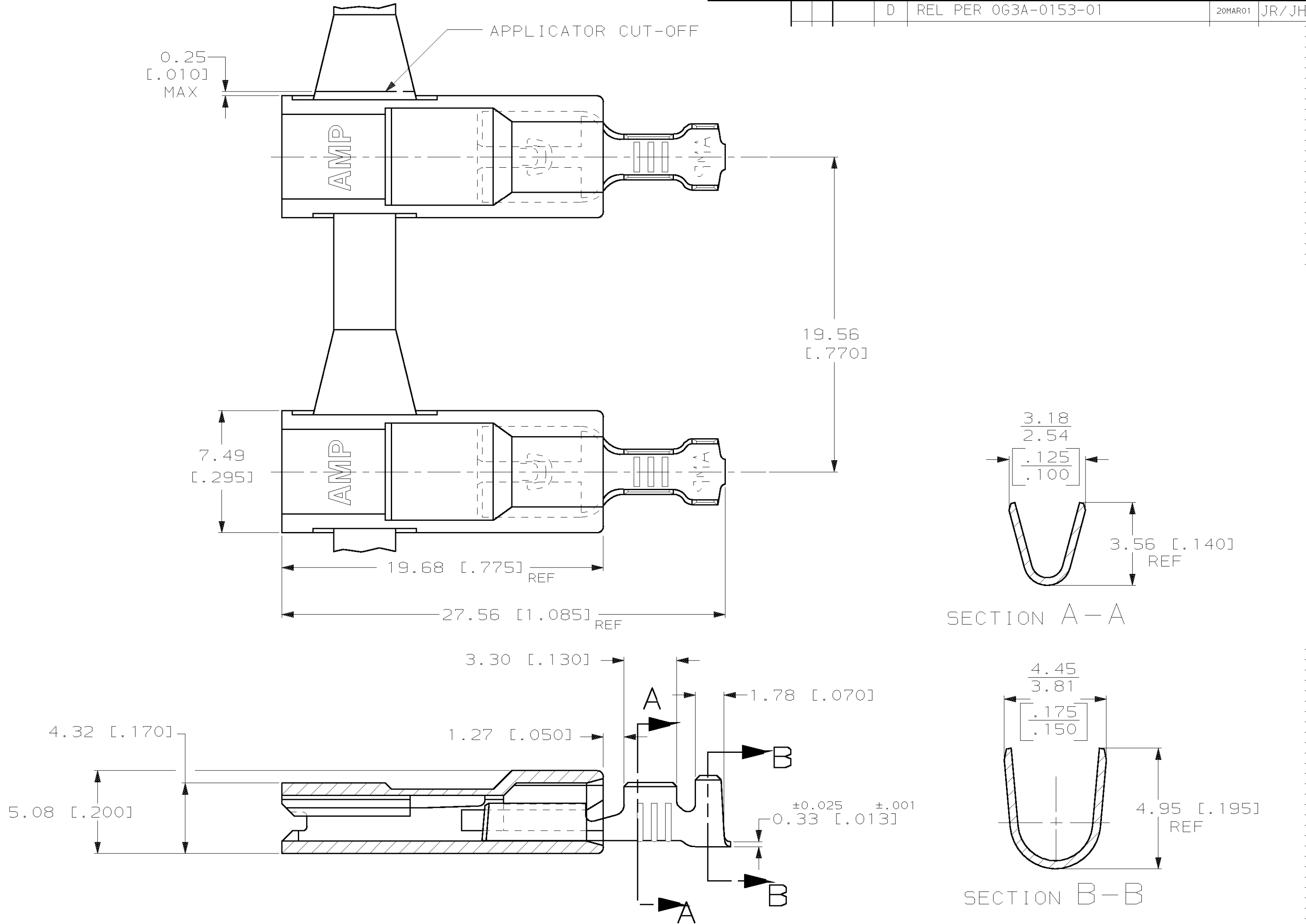


THIS DRAWING IS UNPUBLISHED. RELEASED FOR PUBLICATION
 © COPYRIGHT 19 BY AMP INCORPORATED. ALL INTERNATIONAL RIGHTS RESERVED.

LOC		DIST		ZONE		LTR		REVISIONS		DATE	APPD
AF	50								DESCRIPTION		
									REL PER 063A-0153-01	20MAR01	JR/JH



- 1 FASTON TERMINALS, BASE P/N 63653, ARE USED IN THIS PRODUCT.
- 2 TIN PLATE PER MIL-T-10727 .002032 [0.000080] MIN.
- 3 6/6 VO NYLON

STANDARD	TIN	2.29-3.30 [0.090-.130] DIA	[#20-#16] AWG	0.508 [0.020]	521225-2
PACKAGING	FINISH	INSULATION RANGE	WIRE SIZE	MATING TAB THK ±0.025 [±.001]	521225-1
DO NOT SCALE PRINT. UNLESS SPECIFIED DIMENSIONS IN mm [INCHES] TOLERANCES ON :			DR 14SEP99 JR RUTH		
2 PLC DEC ± -			CHK 14SEP99 MS FEHER		
3 PLC DEC ± 0.25 [0.010]			APPD 14SEP99 J HUMMEL		
ANGLES ± -			APPD 14SEP99 D ROTELL		
MATERIAL			PRODUCT SPEC		
TERMINAL - H04 BRASS			APPLICATION SPEC		
HOUSING -			114-2124		
FINISH			WEIGHT -		
TERMINAL - SEE TABLE			SIZE C		
HOUSING - NATURAL			CAGE CODE 00779		
			DRAWING NO 521225		
			SCALE 5:1		
			SHEET 1 OF 1		



ASSEMBLY, RECEPTACLE,
 ULTRA-POD, 4.8 [0.187] SERIES