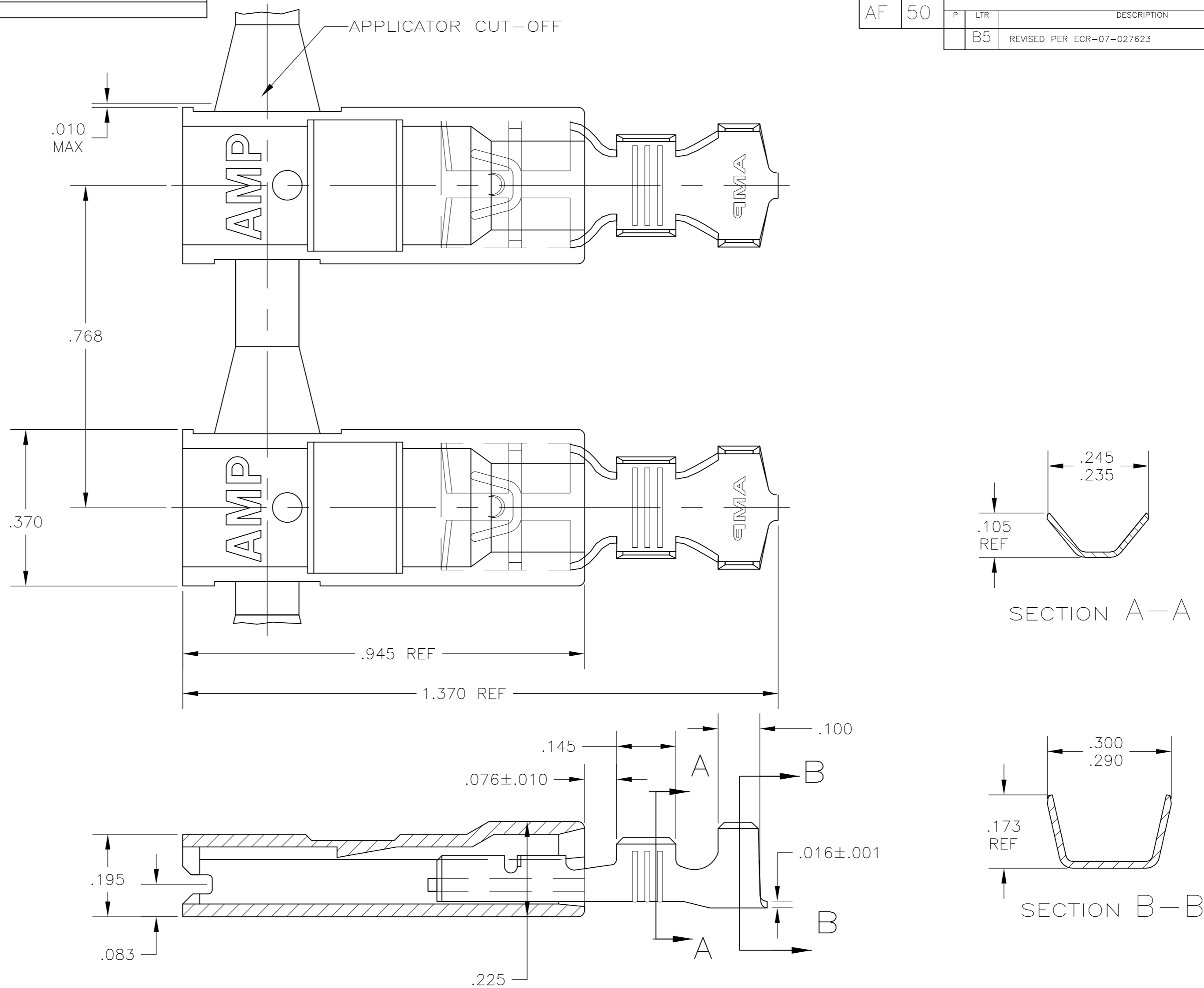


THIS DRAWING IS UNPUBLISHED. RELEASED FOR PUBLICATION
 © COPYRIGHT BY TYCO ELECTRONICS CORPORATION. ALL RIGHTS RESERVED.

LOC	DIST	REVISIONS					
AF	50	P	LTR	DESCRIPTION	DATE	DWN	APVD
		B5		REVISED PER ECR-07-027623	27NOV07	HMR	GP



1 LOW-INSERTION FASTON TERMINALS ARE USED IN THIS PRODUCT.

2 TIN PLATE PER .000080 MIN

3 WIRE SIZE IS 18-14 OR TWO 18'S AWG OR TWO 20'S AWG

4 INSULATION RANGE IS .110-.170 DIA OR TWO .105 MAX DIA

5 MATING TAB THK IS .032±.001

6 PREPRODUCTION - F.A.S.R. REQUIRED.

STANDARD	6/6 NYLON, NATURAL	4M BRASS - TIN $\triangle 2$	521637-2
STANDARD	6/6 NYLON, NATURAL	4M BRASS - PLAIN $\triangle 6$	521637-1
PACKAGING	HOUSING MATERIAL & FINISH	TERMINAL MATERIAL & FINISH	PART NO.

THIS DRAWING IS A CONTROLLED DOCUMENT.		DWN	22MAY03	Tyco Electronics Corporation Harrisburg, PA 17105-3608
DIMENSIONS: INCHES		CHK	22MAY03	
TOLERANCES UNLESS OTHERWISE SPECIFIED:		APVD	22MAY03	
0 PLC ± - 1 PLC ± - 2 PLC ± - 3 PLC ± .010 4 PLC ± - ANGLES ± - FINISH SEE TABLE		NAME J HUMMEL PRODUCT SPEC 108-1285 APPLICATION SPEC 114-2124 WEIGHT - CUSTOMER DRAWING		
MATERIAL SEE TABLE		SIZE	A2	CAGE CODE 00779 DRAWING NO C=521637 RESTRICTED TO - SCALE 5:1 SHEET 1 of 1 REV B5