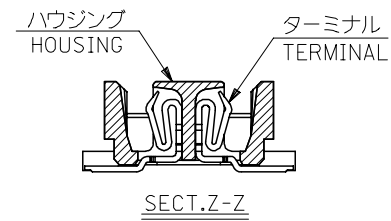
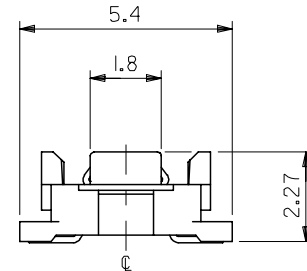


参考基板レイアウト (マウント面)  
P.C.BOARD PATTERN  
DIMENSION. (REF.)  
(MOUNTING AREA)

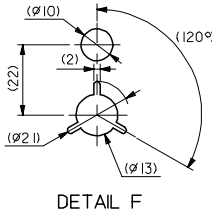
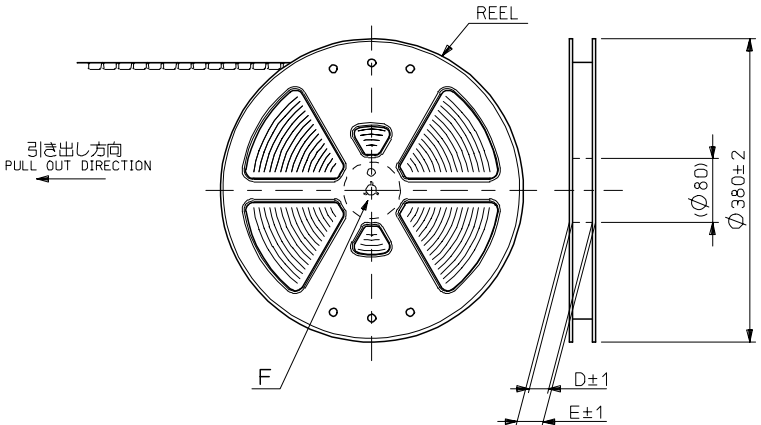


注記 NOTES:

1. 使用材料 MATERIAL  
ハウジング: LCPガラス入り (黒) UL94V-0  
HOUSING: LCP(G.F.)(COLOR :BLACK),  
UL94V-0  
ターミナル: リン青銅 (t=0.15)  
TERMINAL: PHOSPHOR BRONZE (t=0.15)
2. メッキ仕様 PLATING  
全体仕上げ: 金メッキ 0.1 MICROMETER MIN.  
ALL OVER : GOLD 0.1 MICROMETER MIN.  
下地メッキ: ニッケルメッキ 1.5 MICROMETER MIN.  
UNDER PLATING : NICKEL 1.5 MICROMETER MIN.
3. 基準面 [X] からのソルダーテールの半田付け面のズレ量は、上方向 0、  
下方向 0.15MAX. とする。  
MISALIGNMENT OF SOLDER TAIL FROM [X]  
: UPPER DIRECTION 0, LOWER DIRECTION 0.15 MAX.
4. (全極数/2) = 偶数の場合に適用。  
APPLY FOR (CIRCUIT/2)=EVEN.
5. 嵌合相手: 53748 シリーズ, 53916 シリーズ, 502280 シリーズ  
MATE WITH : 53748 SERIES, 53916 SERIES, 502280 SERIES.
6. テール平坦度は、0.1MAX.  
TAIL COPLANARITY TO BE 0.1MAX.

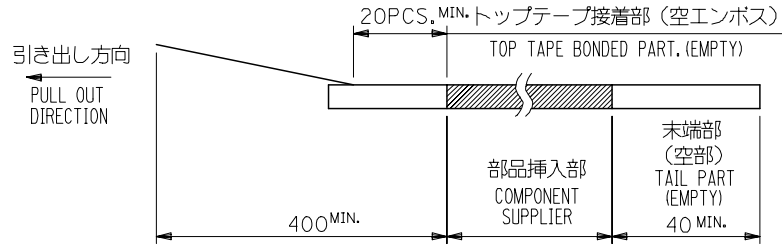
20.2	19.5	23.8	54167-0801	80
17.7	17.0	21.3	-0701	70
15.2	14.5	18.8	-0601	60
12.7	12.0	16.3	-0501	50
10.2	9.5	13.8	-0401	40
7.7	7.0	11.3	-0301	30
5.2	4.5	8.8	54167-0201	20
C	B	A	MATERIAL NO.	極数 CIRCUIT

REVISED EC NO: J2007-0273 DRWN: TENAGASE 2006/07/28 CHKD: THARUYAMA 2006/08/03 APPR: NUKITA 2006/08/07	GENERAL TOLERANCES (UNLESS SPECIFIED)		DIMENSION STYLE MM ONLY		SCALE ---	DESIGN UNITS METRIC	THIRD ANGLE PROJECTION
	10 UNDER	±0.2	DRAWN BY S. AIHARA	DATE '96/11/28	TITLE 0.5 B/B CONN REC HSG ASSY(W/O BOSS, W/O NAIL) -LEAD FREE-		
	10 OVER 30 UNDER	±0.25	CHECKED BY M. SASAO	DATE '01/12/26	MOLEX INCORPORATED		
	30 OVER	±0.3	APPROVED BY M. SASAO	DATE '01/12/26	DOCUMENT NO. SD-54167-001	SHEET NO. 1 OF 1	
	ANGULAR	±3 °	MATERIAL NO. SEE CHART		THIS DRAWING CONTAINS INFORMATION THAT IS PROPRIETARY TO MOLEX INCORPORATED AND SHOULD NOT BE USED WITHOUT WRITTEN PERMISSION		
	DRAFT WHERE APPLICABLE MUST REMAIN WITHIN DIMENSIONS		SIZE A3				

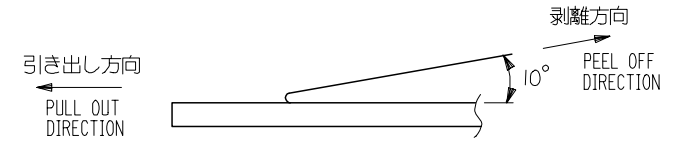


NOTES

- 製品詳細寸法については図面 SD-54167-001 を参照下さい。  
RE DETAILED DIMENSION, SEE SD-54167-001
- 梱包数量：3000個/リール  
NUMBER OF CONNECTORS : 3000PCS/REEL
- リードテープ長さ LEAD TAPE LENGTH



- トップテープの剥離強度：0.1N~1.3 (10gf~130gf) (剥離方向は下図参照) 尚、本規格値は出荷時に適用。(但し、輸送時に剥離が発生しないこと。)  
PEELING OFF FORCE OF TOP TAPE : 0.1N~1.3 (10gf~130gf)  
(PEELING DIRECTION AS SHOWN IN FOLLOWING FIG.)  
THIS REQUIREMENT SHOULD BE APPLIED AT SHIPMENT.  
PEEL OFF SHOULD NOT BE ALLOWED , DURING TRANSPORTATION.



- 材料(MATERIAL)  
キャリアテープ(CARRIER TAPE) : ポリプロピレン(POLYPROPYLENE)  
トップテープ(TOPTAPE) : PET , PE , PEF  
リール(REEL) : ポリスチレン (PS) <リサイクル材を含む>  
POLYSTYREN(PS) <RECYCLE MATERIAL CONTAINED>

54167\*\*\*8 MODEL NO.

REVISED EC NO: J2006-0604 DRW:NAIDA 2005/08/31 CHKD:KTOYODA 2005/09/01 APPR:NUKITA 2005/09/09	GENERAL TOLERANCES (UNLESS SPECIFIED)		DIMENSION STYLE MM ONLY	SCALE ---	DESIGN UNIT'S METRIC	THIRD ANGLE PROJECTION
	10 UNDER	±0.2	DRAWN BY S. AIHARA	DATE '96/11/25	TITLE 0.5 B/B CONN REC HSG ASSY EMBSTP PKG -LEAD FREE-	
	10 OVER 30 UNDER	±0.25	CHECKED BY T. ITO	DATE '00/12/06	MOLEX INCORPORATED	
	30 OVER	±0.3	APPROVED BY M. FUKUSHIMA	DATE '00/12/06	DOCUMENT NO. SD-54167-002	SHEET NO. 1 OF 6
	ANGULAR	±3 °	MATERIAL NO. SEE CHART			
DRAFT WHERE APPLICABLE MUST REMAIN WITHIN DIMENSIONS		SIZE A3	THIS DRAWING CONTAINS INFORMATION THAT IS PROPRIETARY TO MOLEX INCORPORATED AND SHOULD NOT BE USED WITHOUT WRITTEN PERMISSION			

10 9 8 7 6 5 4 3 2 1

F

E

D

C

B

A

F

E

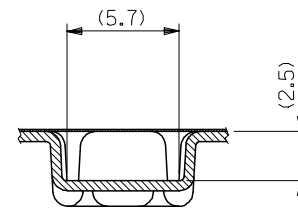
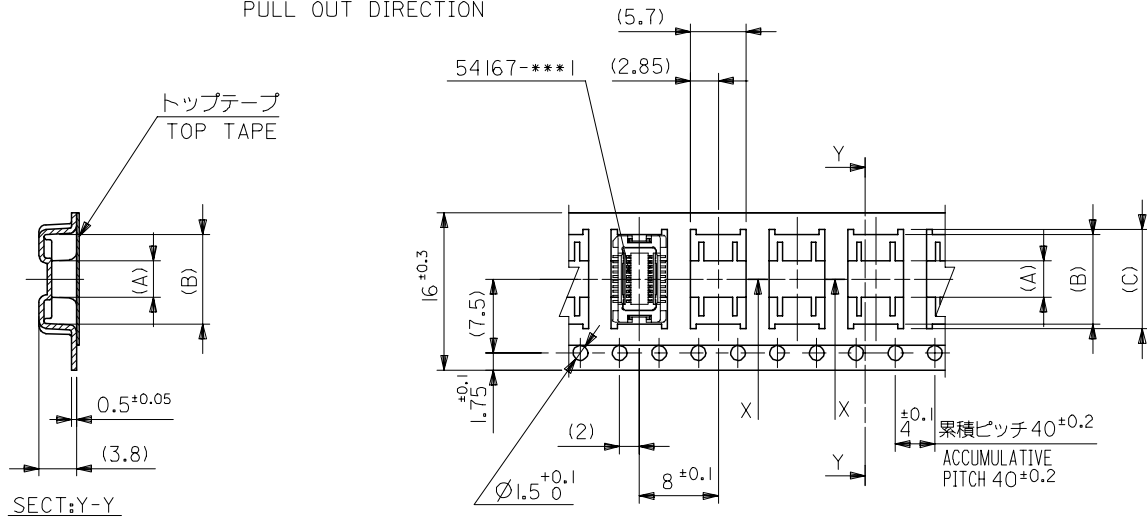
D

C

B

A

引き出し方向  
PULL OUT DIRECTION



SECT:X-X

16mm幅キャリアテープ  
16mm WIDTH CARRIER TAPE

REVISED		EC NO: J2006-0604		2005/08/31		2005/09/01		2005/09/09		54167***8		MODEL NO.		16		21.4		17.4		10.1		9.1		3.7		54167-0208		20	
DRAWN BY		DATE		TITLE		SCALE		DESIGN UNITS		THIRD ANGLE PROJECTION		CARRIER TAPE WIDTH		E		D		(C)		(B)		(A)		MATERIAL NO.		極数			
S. AIHARA		'97/05/09		0.5 B/B CONN REC HSG		---		METRIC		◎ □		54167***8		E		D		(C)		(B)		(A)		54167-0208		20			
CHECKED BY		DATE		ASSY EMBSTP PKG								54167***8		E		D		(C)		(B)		(A)		54167-0208		20			
T. ITO		'00/12/06		-LEAD FREE-								54167***8		E		D		(C)		(B)		(A)		54167-0208		20			
APPROVED BY		DATE		MOLEX INCORPORATED								54167***8		E		D		(C)		(B)		(A)		54167-0208		20			
M. FUKUSHIMA		'00/12/06		MOLEX INCORPORATED								54167***8		E		D		(C)		(B)		(A)		54167-0208		20			
MATERIAL NO.		DOCUMENT NO.		SHEET NO.								54167***8		E		D		(C)		(B)		(A)		54167-0208		20			
SEE CHART		SD-54167-002		2 OF 6								54167***8		E		D		(C)		(B)		(A)		54167-0208		20			
SIZE		THIS DRAWING CONTAINS INFORMATION THAT IS PROPRIETARY TO MOLEX INCORPORATED AND SHOULD NOT BE USED WITHOUT WRITTEN PERMISSION										54167***8		E		D		(C)		(B)		(A)		54167-0208		20			
A3												54167***8		E		D		(C)		(B)		(A)		54167-0208		20			

10 9 8 7 6 5 4 3 2 1

F

E

D

C

B

A

F

E

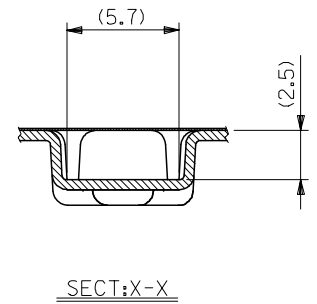
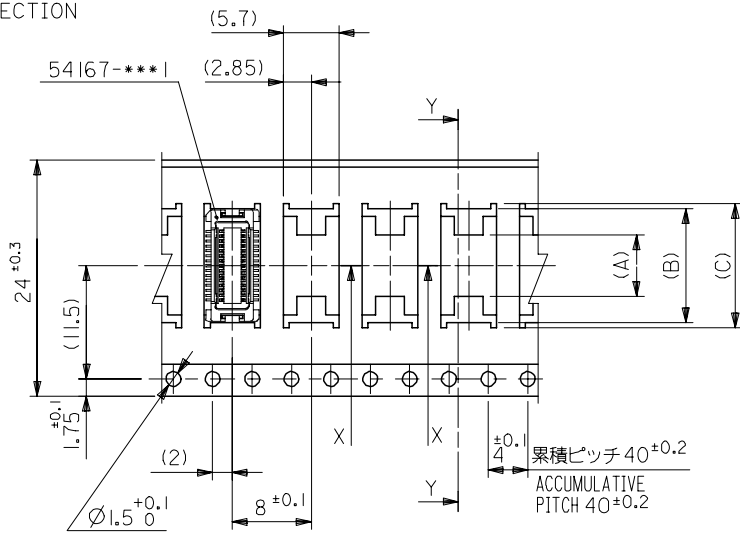
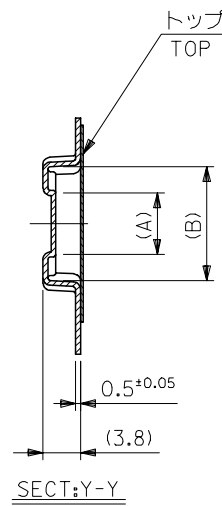
D

C

B

A

引き出し方向  
PULL OUT DIRECTION



24mm幅キャリアテープ  
24mm WIDTH CARRIER TAPE

REVISED EC NO: J2006-0604 DRWN:NAIDA 2005/08/31 CHKD:TOYODA 2005/09/01 APPR:NUKITA 2005/09/09	DESCRIPTION	54167***8 MODEL NO.		24	29.4	25.4	15.1	14.1	7.4	54167-0408	40
		GENERAL TOLERANCES (UNLESS SPECIFIED)		10 UNDER	± ---	10 OVER	30 UNDER	± ---	30 OVER	± ---	ANGULAR
DRAFT WHERE APPLICABLE MUST REMAIN WITHIN DIMENSIONS		DIMENSION STYLE MM ONLY		SCALE ---		DESIGN UNITS METRIC		THIRD ANGLE PROJECTION			
DRAWN BY S. AIHARA		DATE '97/05/09		TITLE 0.5 B/B CONN REC HSG ASSY EMBSTP PKG -LEAD FREE-		MATERIAL NO. 54167-0308 30					
CHECKED BY T. ITO		DATE '00/12/06		APPROVED BY M. FUKUSHIMA		DATE '00/12/06		MOLEX INCORPORATED			
MATERIAL NO.		DOCUMENT NO. SD-54167-002		SIZE A3		THIS DRAWING CONTAINS INFORMATION THAT IS PROPRIETARY TO MOLEX INCORPORATED AND SHOULD NOT BE USED WITHOUT WRITTEN PERMISSION		SHEET NO. 3 OF 6			

10 9 8 7 6 5 4 3 2 1

F

E

D

C

B

A

F

E

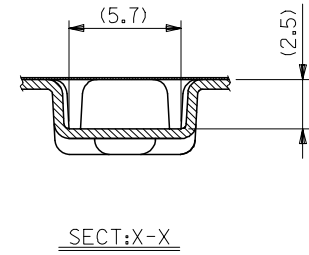
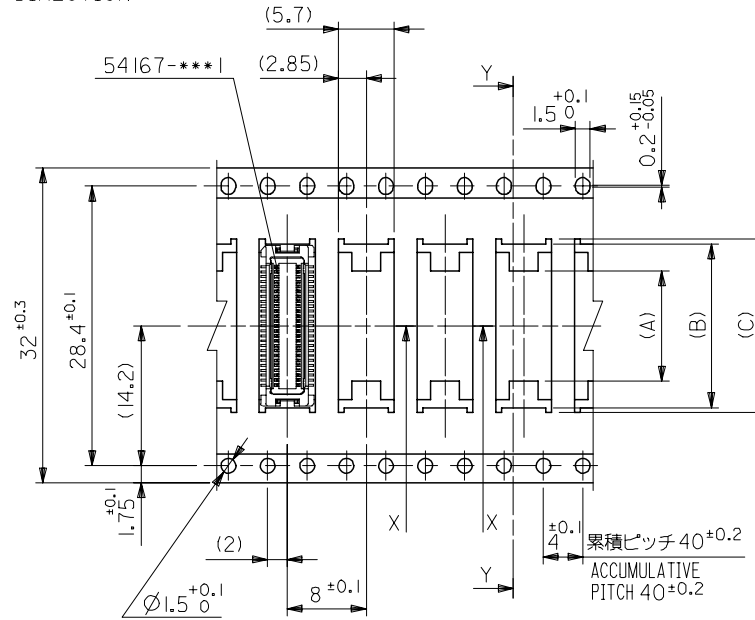
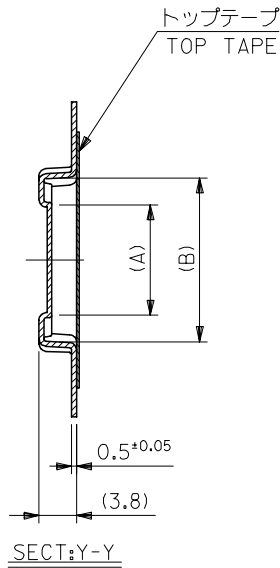
D

C

B

A

引き出し方向  
PULL OUT DIRECTION



32mm幅キャリアテープ  
32mm WIDTH CARRIER TAPE

REVISED		EC NO: J2006-0604		2005/08/31		2005/09/01		2005/09/09		54167***8		MODEL NO.		32		37.4		33.4		17.6		16.6		11.2		54167-0508		50			
DRAWN BY		DATE		TITLE		SCALE		DESIGN UNITS		THIRD ANGLE PROJECTION		DRAWN BY		DATE		TITLE		SCALE		DESIGN UNITS		THIRD ANGLE PROJECTION		DRAWN BY		DATE		TITLE			
CHECKED BY		DATE		TITLE		SCALE		DESIGN UNITS		THIRD ANGLE PROJECTION		CHECKED BY		DATE		TITLE		SCALE		DESIGN UNITS		THIRD ANGLE PROJECTION		CHECKED BY		DATE		TITLE			
APPROVED BY		DATE		TITLE		SCALE		DESIGN UNITS		THIRD ANGLE PROJECTION		APPROVED BY		DATE		TITLE		SCALE		DESIGN UNITS		THIRD ANGLE PROJECTION		APPROVED BY		DATE		TITLE			
MATERIAL NO.		DOCUMENT NO.		SHEET NO.		MATERIAL NO.		DOCUMENT NO.		SHEET NO.		MATERIAL NO.		DOCUMENT NO.		SHEET NO.		MATERIAL NO.		DOCUMENT NO.		SHEET NO.		MATERIAL NO.		DOCUMENT NO.		SHEET NO.			
SIZE		THIS DRAWING CONTAINS INFORMATION THAT IS PROPRIETARY TO MOLEX INCORPORATED AND SHOULD NOT BE USED WITHOUT WRITTEN PERMISSION		SIZE		THIS DRAWING CONTAINS INFORMATION THAT IS PROPRIETARY TO MOLEX INCORPORATED AND SHOULD NOT BE USED WITHOUT WRITTEN PERMISSION		SIZE		THIS DRAWING CONTAINS INFORMATION THAT IS PROPRIETARY TO MOLEX INCORPORATED AND SHOULD NOT BE USED WITHOUT WRITTEN PERMISSION		SIZE		THIS DRAWING CONTAINS INFORMATION THAT IS PROPRIETARY TO MOLEX INCORPORATED AND SHOULD NOT BE USED WITHOUT WRITTEN PERMISSION		SIZE		THIS DRAWING CONTAINS INFORMATION THAT IS PROPRIETARY TO MOLEX INCORPORATED AND SHOULD NOT BE USED WITHOUT WRITTEN PERMISSION		SIZE		THIS DRAWING CONTAINS INFORMATION THAT IS PROPRIETARY TO MOLEX INCORPORATED AND SHOULD NOT BE USED WITHOUT WRITTEN PERMISSION		SIZE		THIS DRAWING CONTAINS INFORMATION THAT IS PROPRIETARY TO MOLEX INCORPORATED AND SHOULD NOT BE USED WITHOUT WRITTEN PERMISSION		SIZE		THIS DRAWING CONTAINS INFORMATION THAT IS PROPRIETARY TO MOLEX INCORPORATED AND SHOULD NOT BE USED WITHOUT WRITTEN PERMISSION	

9

8

7

6

5

4

3

2

10 9 8 7 6 5 4 3 2 1

F

E

D

C

B

A

F

E

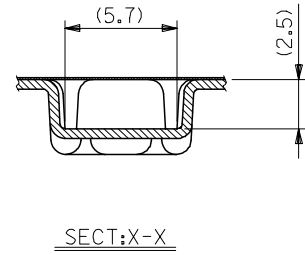
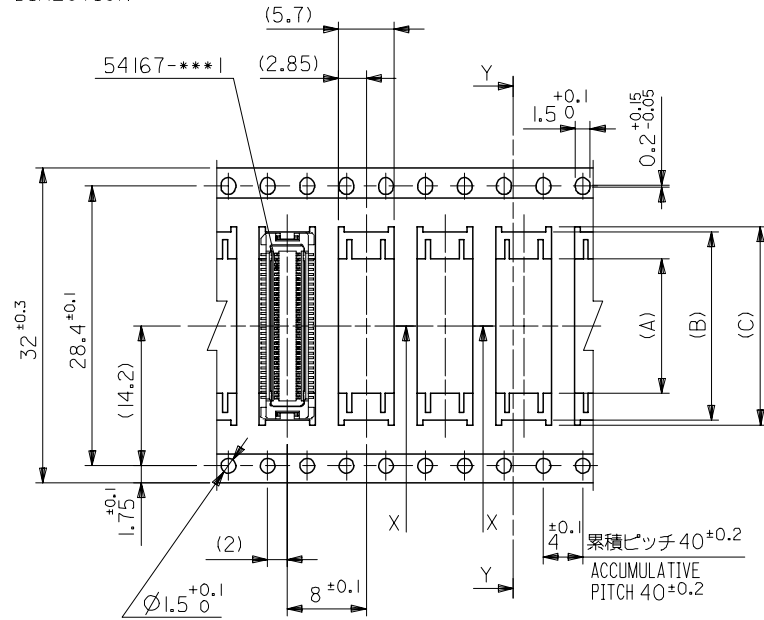
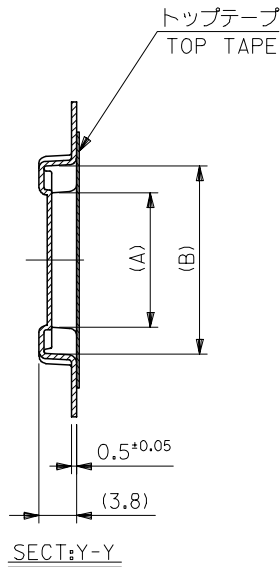
D

C

B

A

引き出し方向  
PULL OUT DIRECTION



32mm幅キャリアテープ  
32mm WIDTH CARRIER TAPE

REVISED EC NO: J2006-0604 DRW:NAIDA 2005/08/31 CHKD:TOYODA 2005/09/01 APPR:NUKITA 2005/09/09	54167***8	MODEL NO.	32	37.4	33.4	20.1	19.1	13.7	54167-0608	60
	GENERAL TOLERANCES (UNLESS SPECIFIED)		DIMENSION STYLE		SCALE	DESIGN UNITS		THIRD ANGLE PROJECTION		
	10 UNDER	± ---	MM ONLY		---	METRIC		0.5 B/B CONN REC HSG ASSY EMBSTP PKG -LEAD FREE-		
	10 OVER 30 UNDER	± ---	DRAWN BY DATE		TITLE		MOLEX INCORPORATED			
30 OVER	± ---	T. YASUI '97/05/14		MATERIAL NO.		DOCUMENT NO.		SHEET NO.		
ANGULAR	±1 °	CHECKED BY DATE		SEE CAHRT		SD-54167-002		5 OF 6		
DRAFT WHERE APPLICABLE MUST REMAIN WITHIN DIMENSIONS		APPROVED BY DATE		SIZE		THIS DRAWING CONTAINS INFORMATION THAT IS PROPRIETARY TO MOLEX INCORPORATED AND SHOULD NOT BE USED WITHOUT WRITTEN PERMISSION				
		M. FUKUSHIMA '00/12/06		A3						

9

8

7

6

5

4

3

2

10 9 8 7 6 5 4 3 2 1

F

E

D

C

B

A

F

E

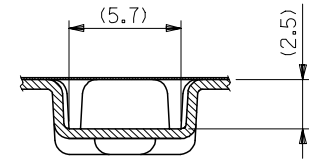
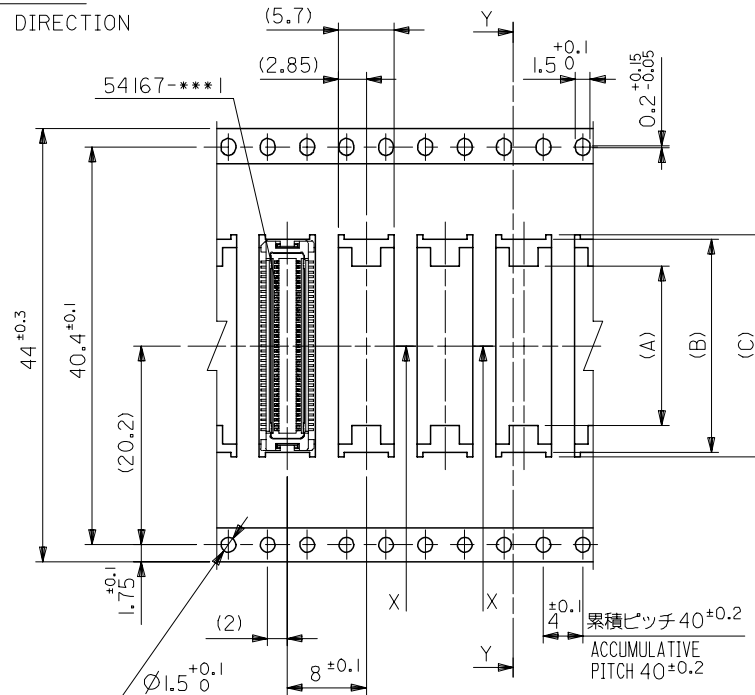
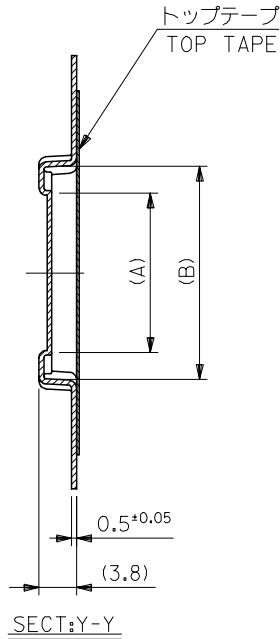
D

C

B

A

引き出し方向  
PULL OUT DIRECTION



44mm幅キャリアテープ  
44mm WIDTH CARRIER TAPE

REVISED	EC NO: J2006-0604	2005/08/31	DRWN:NAIDA	2005/09/01	CHKD:KTOYODA	2005/09/09	APPR:NUKITA	DESCRIPTION	54167***8	MODEL NO.	44	49.4	45.4	25.1	24.1	17.5	54167-0808	80										
								GENERAL TOLERANCES (UNLESS SPECIFIED)			キャリアテープ幅 CARRIER TAPE WIDTH	E	D	(C)	(B)	(A)	MATERIAL NO.	極数 CIRCUIT										
								10 UNDER ± ---			DIMENSION STYLE MM ONLY		SCALE ---	DESIGN UNITS METRIC		THIRD ANGLE PROJECTION												
								10 OVER 30 UNDER ± ---			DRAWN BY S. AIHARA	DATE '98/10/23	TITLE 0.5 B/B CONN REC HSG ASSY EMBSTP PKG -LEAD FREE-															
								30 OVER ± ---			CHECKED BY T. ITO	DATE '00/12/06	MOLEX INCORPORATED															
								ANGULAR ± --- °			APPROVED BY M. FUKUSHIMA	DATE '00/12/06	DOCUMENT NO. SD-54167-002		SHEET NO. 6 OF 6													
								DRAFT WHERE APPLICABLE MUST REMAIN WITHIN DIMENSIONS			MATERIAL NO. SEE CHART		THIS DRAWING CONTAINS INFORMATION THAT IS PROPRIETARY TO MOLEX INCORPORATED AND SHOULD NOT BE USED WITHOUT WRITTEN PERMISSION															
											SIZE A3																	

9

8

7

6

5

4

3

2