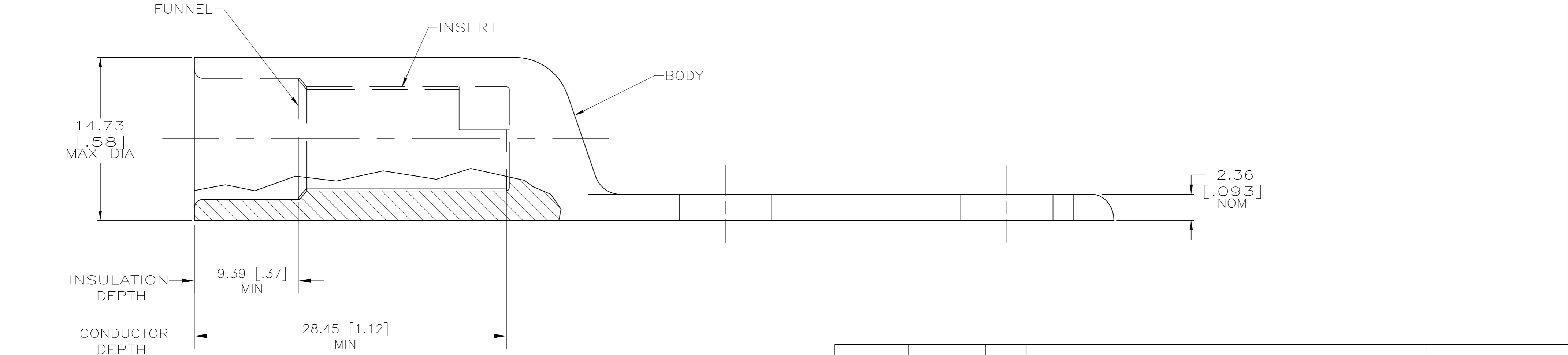
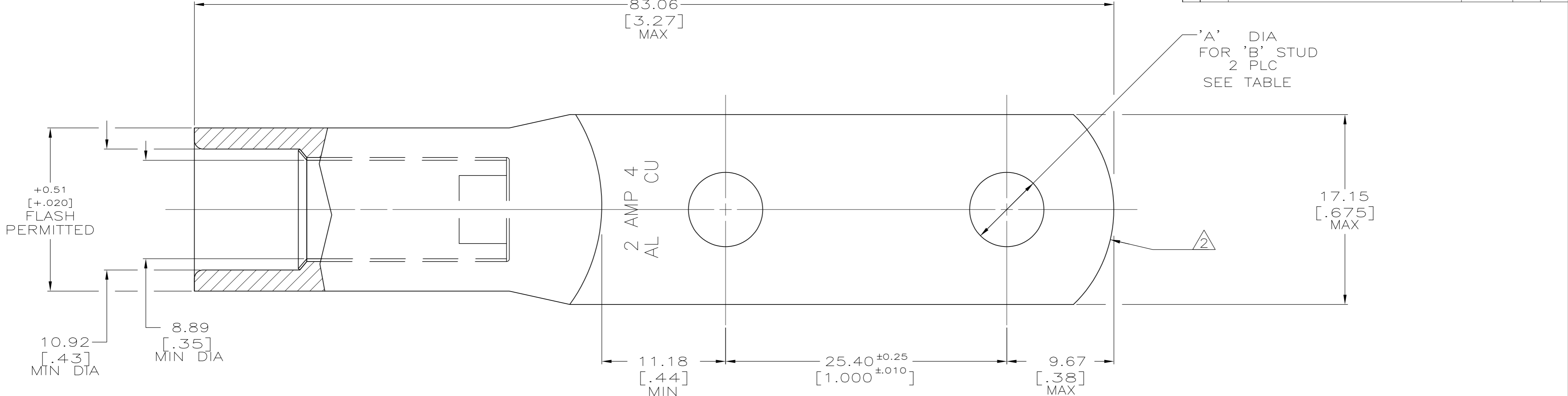


THIS DRAWING IS UNPUBLISHED. RELEASED FOR PUBLICATION
 © COPYRIGHT BY TYCO ELECTRONICS CORPORATION. ALL RIGHTS RESERVED.

LOC		DIST		REVISIONS					
G		86		P	LTR	DESCRIPTION	DATE	DWN	APVD
				E		REV PER ECR 08-004985	26FEB08	JR	MS



- 1 WIRE INSULATION: 8.64[.340] - 9.65[.380] DIA
- △ THE TONGUE RADIUS FEATURE IS NOT A TOOLING CONTROLLED DIMENSION AND MAY NOT BE A TRUE RADIUS.

43 GRAMS	9.9 ±0.13 [0.390 ±0.005]	3/8	BODY: COPPER ASTM-B187 ANNEALED TIN PL MIL-T-10727 0.00457[.000150] MIN THK	55835-2
44 GRAMS	6.73 ±0.13 [0.265 ±0.005]	1/4	INSERT & FUNNEL: BRASS PER ASTM B36 NICKEL PLATE SAE AMS QQ-N-290A, DATED JULY 2000, 0.00254 [0.000100] MIN THK	55835-1
WEIGHT	"A"	"B"	MATERIAL AND FINISH	PART NO.

THIS DRAWING IS A CONTROLLED DOCUMENT.		DWN DK SCHRUM 6/15/92	Tyco Electronics Corporation Harrisburg, PA 17105-3608	
DIMENSIONS: MM [INCHES]		CHK WJ VOCKROTH 6/16/92	NAME	
TOLERANCES UNLESS OTHERWISE SPECIFIED:		APVD AJ KAUFMAN 6/16/92	PRODUCT SPEC	
0 PLC ± -		108-11011		SIZE
1 PLC ± -		APPLICATION SPEC		CAGE CODE
2 PLC ± -		114-2134		DRAWING NO
3 PLC ± -		WEIGHT SEE TABLE		RESTRICTED TO
4 PLC ± -		CUSTOMER DRAWING		SCALE 4:1
ANGLES ± -		SHEET 1 OF 1		REV E
FINISH SEE TABLE		A2 00779 C=55835		