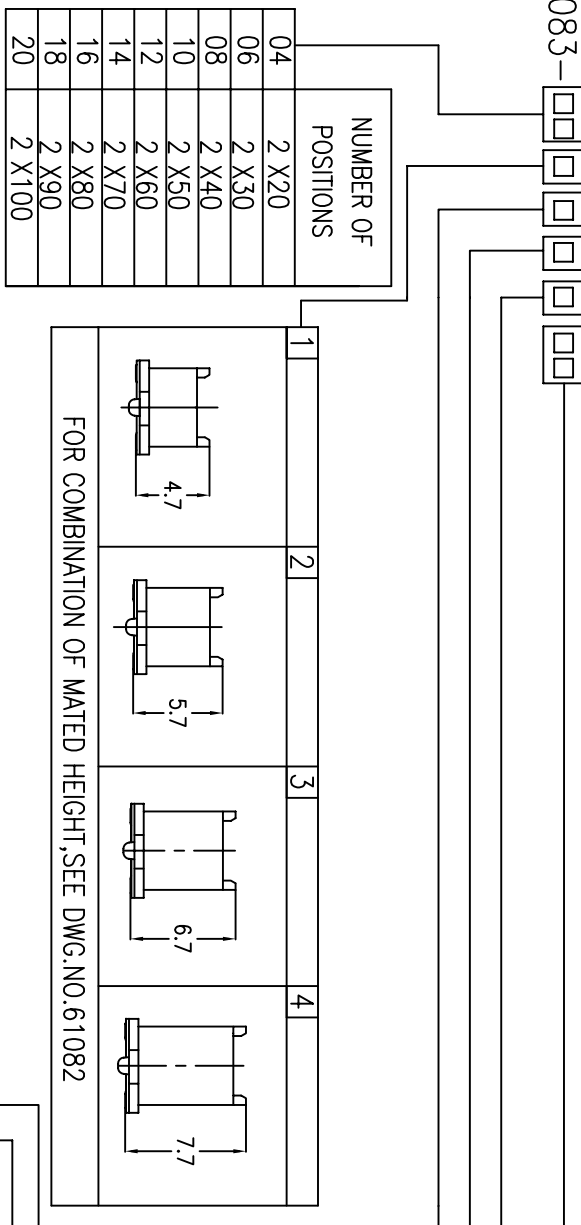


61083-



PACKAGING	
0	TUBE WITHOUT CAP
2	TAPE & REEL WITH CAP
9	TUBE WITH CAP
3	TRAY WITH CAP
6	TAPE & REEL WITHOUT CAP (WITH KAPTON TAPE)

POLARIZATION PEG		HOLD DOWN	
0	YES		NO
2	NO		NO
4	YES		YES(note 6.)



NOTES:

1. MATERIAL:  
HOUSING: G.F.LCP UL94V-0  
TERMINAL: BRASS

2. PLATING:  
AS TABLE SHOW.

3. SEE GS-12-547 FOR PRODUCT SPECIFICATION.

4. SEE GS-14-551 AND GS-14-816 FOR PACKAGING SPECIFICATION.

5. PACKING OPTION 3: "CUSTOMER-SPECIFIC; LIMITED TO CERTAIN SIZES"  
PACKING OPTION 2: NOT ALL SIZES AVAILABLE; CHECK WITH FACTORY"

6. ONLY PLUG 1: 80 POSITIONS AVAILABLE.  
PLUG 4: 120 POSITIONS AVAILABLE

7. THIS PRODUCT MEETS EUROPEAN UNION DIRECTIVES AND OTHER COUNTRY REGULATIONS AS DESCRIBED IN GS-22-008

8. THE HOUSING WILL WITHSTAND EXPOSURE TO 260°C PEAK TEMPERATURE FOR 10 SECONDS IN A CONVECTION, INFRA-RED OR VAPOR PHASE REFLOW OVEN.

9. PLATING OPTION '4' IS LEADFREE ALTERNATIVE FOR OPTION '0', AND OPTION '6' IS LEADFREE ALTERNATIVE FOR OPTION '1'.

10. A  $\Delta$  SYMBOL WILL BE NEXT TO ANY DIMENSION, NOTE OR VIEW WHICH HAS BEEN MODIFIED WITH THE CURRENT DRAWING REVISION.

Plating on Contact Area	Plating on Solder Tail	LF
0 GOLD 0.2 um MIN. / TIN LEAD SOLDER NICKEL UNDERPLATE OVERALL 1.27 um MIN		EMPTY
1 PALLADIUM-NICKEL 0.76 um MIN. WITH GOLD FLASH (0.1 um MIN.) / TIN LEAD SOLDER NICKEL UNDERPLATE OVERALL 1.27 um MIN		EMPTY
4 GOLD 0.2 um MIN. / MATT PURE TIN ON SOLDER TAIL NICKEL UNDERPLATE OVERALL 1.27 um MIN (LEAD FREE PLATING)		LF (note 7&9.)
5 GOLD 0.38 um / MATT PURE TIN ON SOLDER TAIL NICKEL UNDERPLATE OVERALL 1.27 um MIN (LEAD FREE PLATING)		LF (note 7.)
6 PALLADIUM-NICKEL 0.76 um MIN. WITH GOLD FLASH (0.1 um MIN.) / MATT PURE TIN ON SOLDER TAIL NICKEL UNDERPLATE OVERALL 1.27 um MIN		LF (note 7&9.)

mat'l. code	surface	tolerance	projection	product family
0	GOLD 0.2 um MIN. / TIN LEAD SOLDER			BERGSTAK
1	PALLADIUM-NICKEL 0.76 um MIN. WITH GOLD FLASH (0.1 um MIN.) / TIN LEAD SOLDER			0.8mm BOARD TO BOARD PLUG ASSY
4	GOLD 0.2 um MIN. / MATT PURE TIN ON SOLDER TAIL			
5	GOLD 0.38 um / MATT PURE TIN ON SOLDER TAIL			
6	PALLADIUM-NICKEL 0.76 um MIN. WITH GOLD FLASH (0.1 um MIN.) / MATT PURE TIN ON SOLDER TAIL			

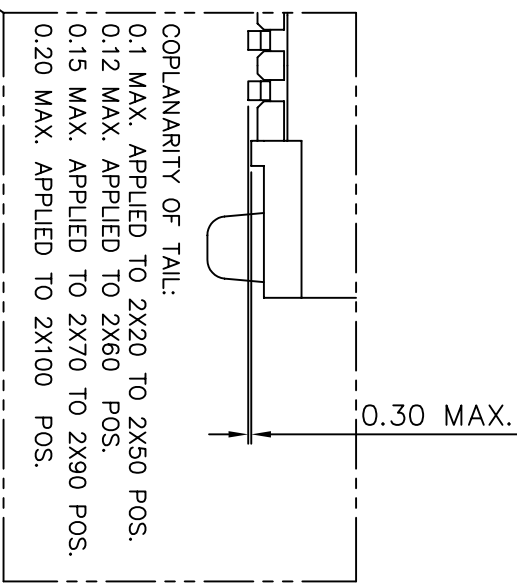
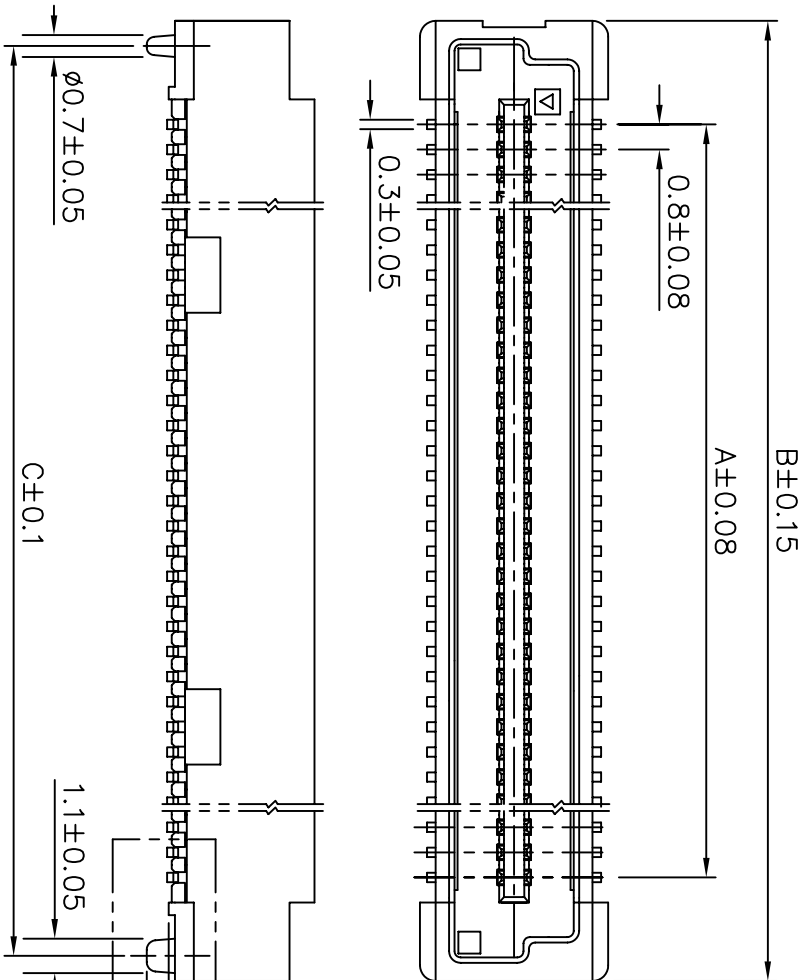
lfr	ecn no	dr	date	tolerance unless otherwise specified	angles	scale
W	S07-0166	MCH	2007-05-18		X3:20	4:1
X	S07-0416	MCH	2007-11-22		XX:0.15	
Y	S08-0043	MCH	2008-02-20	0±2°	XXX±0.10	
AA	S08-0330	MCH	2008-10-08			
T	S04-0167	CH	2004-07-30	engr	YU WEN CHU	1999-03-26
U	S05-0098	CH	2005-03-31	CH	MACHONG	2006-10-08
V	S05-0288	MCH	2005-10-14	dpd	JOCY NG	2006-10-08

sheet	revision	AA	R	R	R	S	R
index	sheet	1	2	3	4	5	6



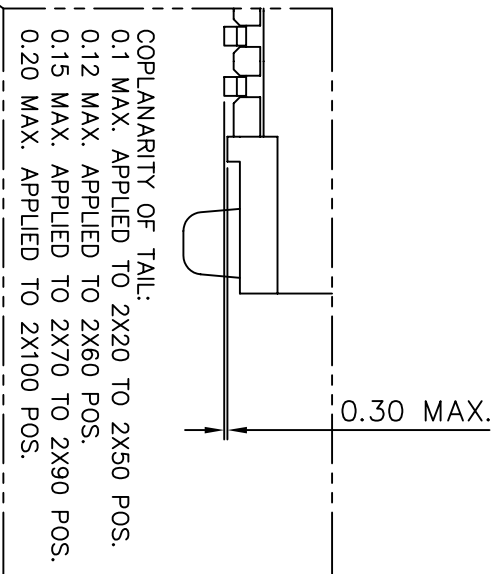
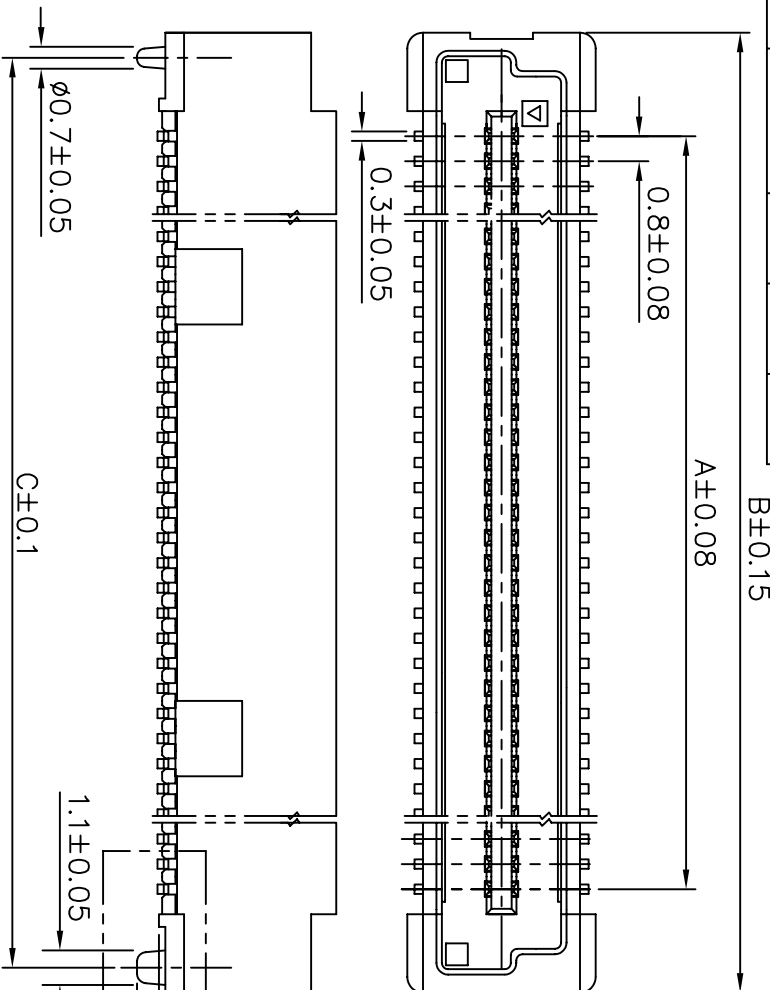
PRODUCT NO.	NUMBER OF POSITIONS	DIMENSION		
		A	B	C
61083-041***	2 X20	15.2	21.8	20.2
61083-061***	2 X30	23.2	29.8	28.2
61083-081***	2 X40	31.2	37.8	36.2
61083-101***	2 X50	39.2	45.8	44.2
61083-121***	2 X60	47.2	53.8	52.2
61083-141***	2 X70	55.2	61.8	60.2
61083-161***	2 X80	63.2	69.8	68.2
61083-181***	2 X90	71.2	77.8	76.2
61083-201***	2 X100	79.2	85.8	84.2



PLUG 1

mat'l. code		surface		tolerance		projection		product family	
lfr	ecp no	dr	date	angles	tolerance unless otherwise specified	MM	title	dwg no	sheet 2 of 7 size
R	S07-0166	MCH	2007-05-18	0±2°	XXX±0.10	MM	0.8mm BOARD TO BOARD PLUG ASSY	61083	A4
sheet		revision		scale 4:1		type		CUSTOMER Drawing	
index	sheet								

PRODUCT NO.	NUMBER OF POSITIONS	DIMENSION		
		A	B	C
61083-042***	2 X20	15.2	21.8	20.2
61083-062***	2 X30	23.2	29.8	28.2
61083-082***	2 X40	31.2	37.8	36.2
61083-102***	2 X50	39.2	45.8	44.2
61083-122***	2 X60	47.2	53.8	52.2
61083-142***	2 X70	55.2	61.8	60.2
61083-162***	2 X80	63.2	69.8	68.2
61083-182***	2 X90	71.2	77.8	76.2
61083-202***	2 X100	79.2	85.8	84.2

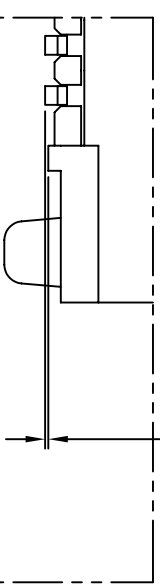
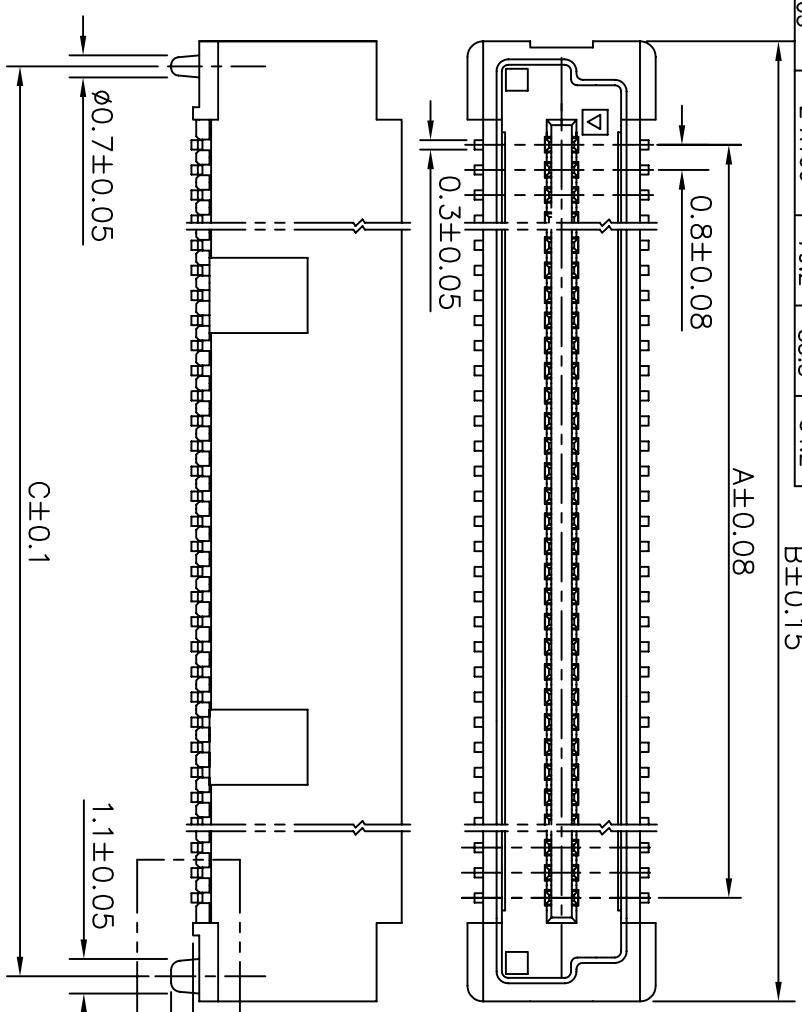


PLUG 2

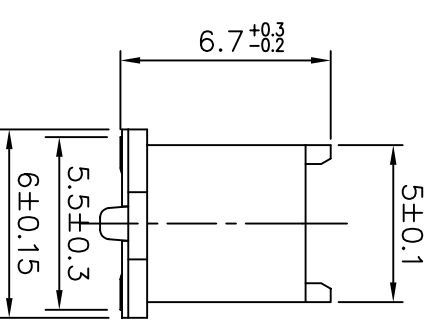
mat'l. code		surface		tolerance		projection		product family	
lfr	ecn no	dr	date	tolerance unless otherwise specified		MM		BERGSTAK	
P				angles	XXX±0.15	MM		0.8mm BOARD TO BOARD	
R	S07-0166	MCH	2007-05-18	0±2°	XXX±0.10	scale 4:1		PLUG ASSY	
dr	MAGLE_WU	1999-03-26						sheet 3 of 7	
engr	YU_WEN_CHU	1999-03-26						size A4	
chr	MACHONG	2007-05-18						CUSTOMER Drawing	
dppd	JOEY_NG	2007-05-18							
sheet index	revision								



PRODUCT NO.	NUMBER OF POSITIONS	DIMENSION		
		A	B	C
61083-043***	2 X20	15.2	21.8	20.2
61083-063***	2 X30	23.2	29.8	28.2
61083-083***	2 X40	31.2	37.8	36.2
61083-103***	2 X50	39.2	45.8	44.2
61083-123***	2 X60	47.2	53.8	52.2
61083-143***	2 X70	55.2	61.8	60.2
61083-163***	2 X80	63.2	69.8	68.2
61083-183***	2 X90	71.2	77.8	76.2
61083-203***	2 X100	79.2	85.8	84.2



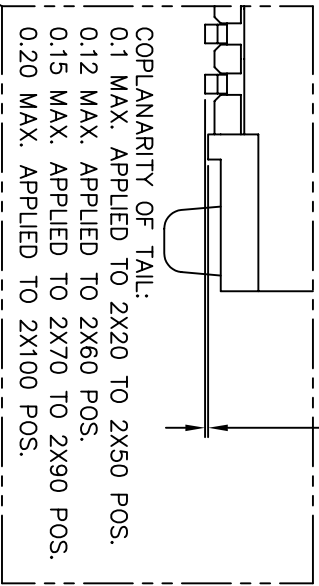
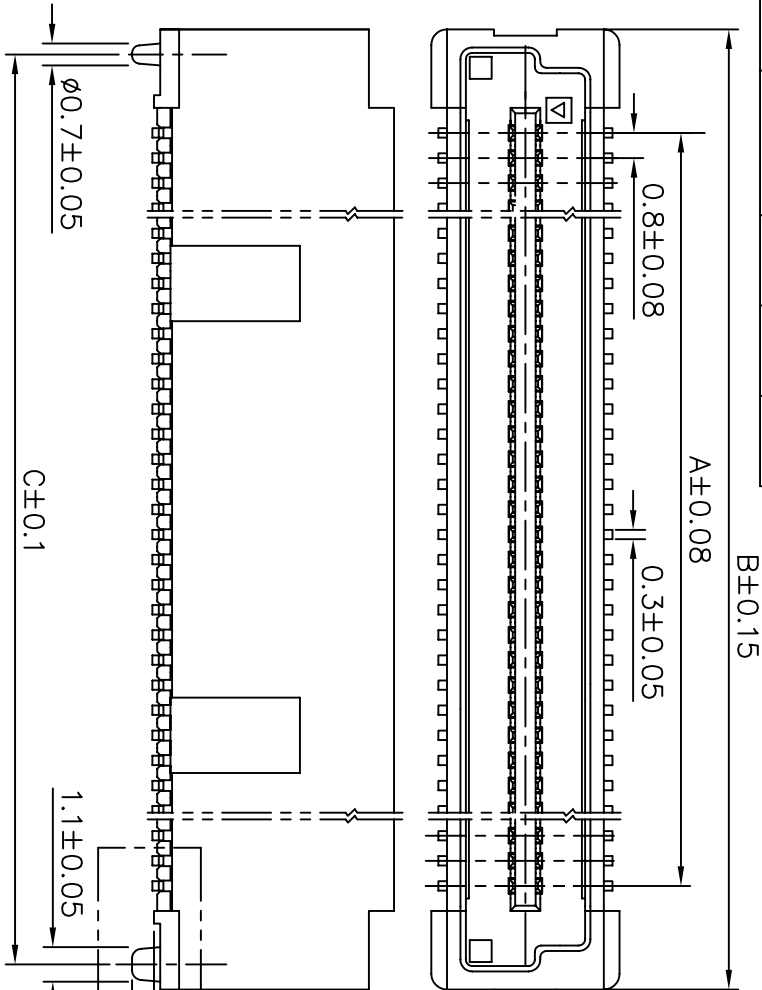
COPLANARITY OF TAIL:  
 0.1 MAX. APPLIED TO 2X20 TO 2X50 POS.  
 0.12 MAX. APPLIED TO 2X60 POS.  
 0.15 MAX. APPLIED TO 2X70 TO 2X90 POS.  
 0.20 MAX. APPLIED TO 2X100 POS.



PLUG 3

mat'l. code		surface		tolerance		projection		product family	
lfr	ecn no	dr	date	tolerance unless otherwise specified		projection		BERGSTAK	
P				angles		MM		0.8mm BOARD TO BOARD	
R	S07-0166	MCH	2007-05-18	0±2°	XXX±0.15	4:1		PLUG ASSY	
		dr	MAGGIE_WU	1999-03-26			scale 4:1		
		engr	YU_WEN_CHU	1999-03-26			dwg no		61083
		chr	MACHONG	2007-05-18			sheet 4 of 7		A4
		dppd	JOEY_NG	2007-05-18			type		CUSTOMER Drawing
sheet index	revision								

PRODUCT NO.	NUMBER OF POSITIONS	DIMENSION		
		A	B	C
61083-044***	2 X20	15.2	21.8	20.2
61083-064***	2 X30	23.2	29.8	28.2
61083-084***	2 X40	31.2	37.8	36.2
61083-104***	2 X50	39.2	45.8	44.2
61083-124***	2 X60	47.2	53.8	52.2
61083-144***	2 X70	55.2	61.8	60.2
61083-164***	2 X80	63.2	69.8	68.2
61083-184***	2 X90	71.2	77.8	76.2
61083-204***	2 X100	79.2	85.8	84.2

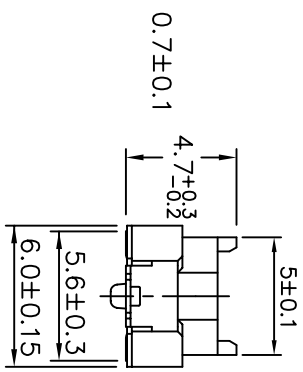
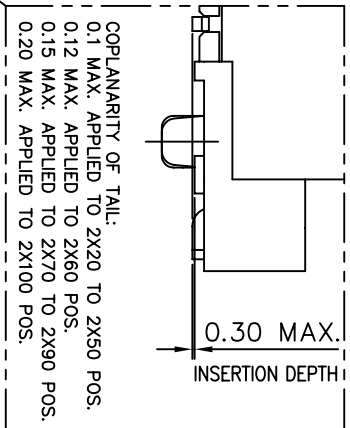
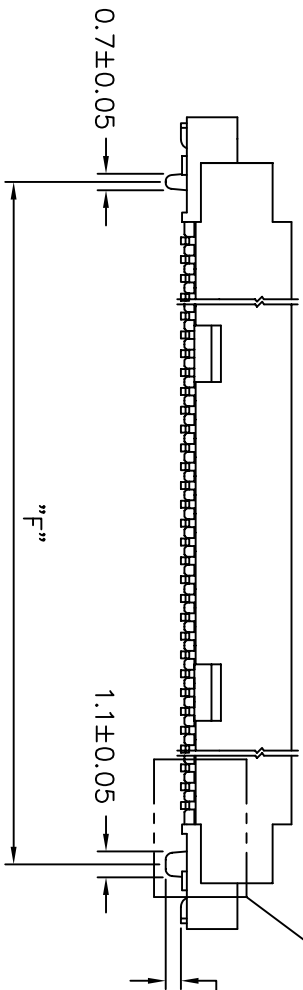
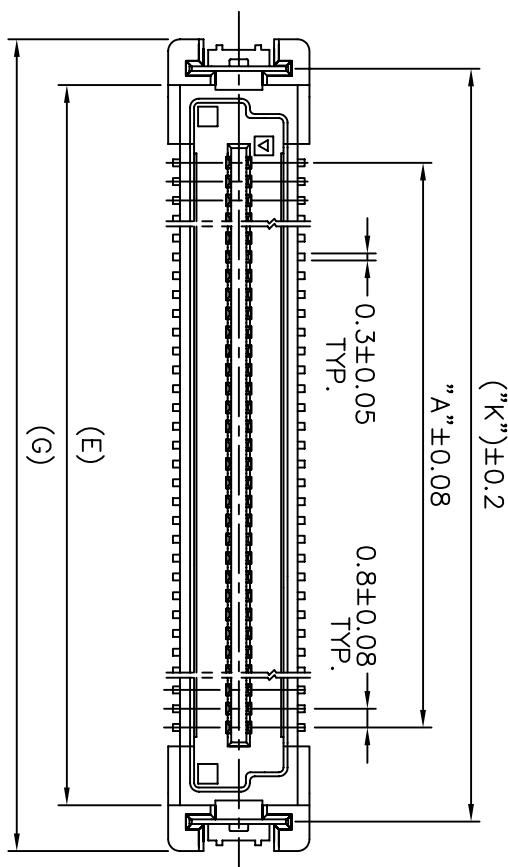


COPLANARITY OF TAIL:  
 0.1 MAX. APPLIED TO 2X20 TO 2X50 POS.  
 0.12 MAX. APPLIED TO 2X60 POS.  
 0.15 MAX. APPLIED TO 2X70 TO 2X90 POS.  
 0.20 MAX. APPLIED TO 2X100 POS.

PLUG 4

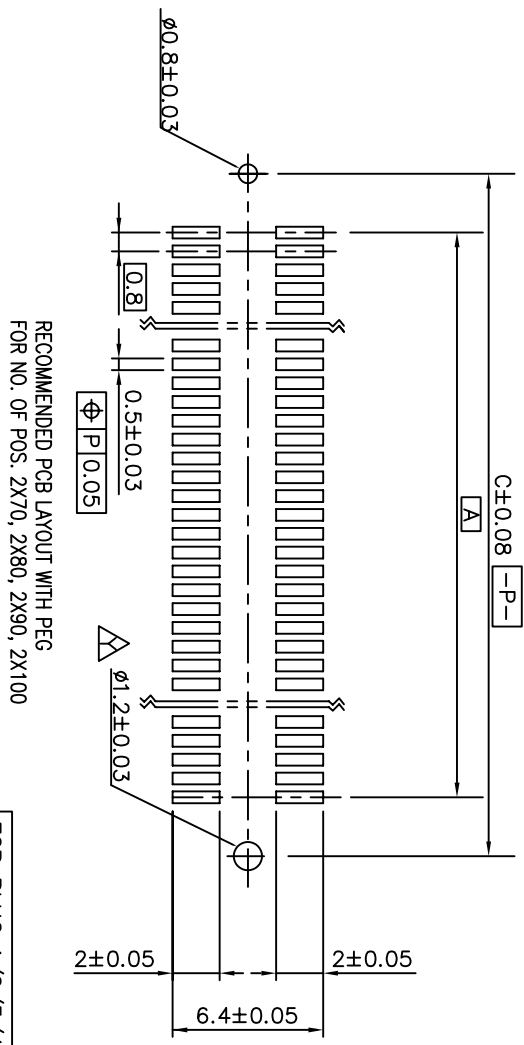
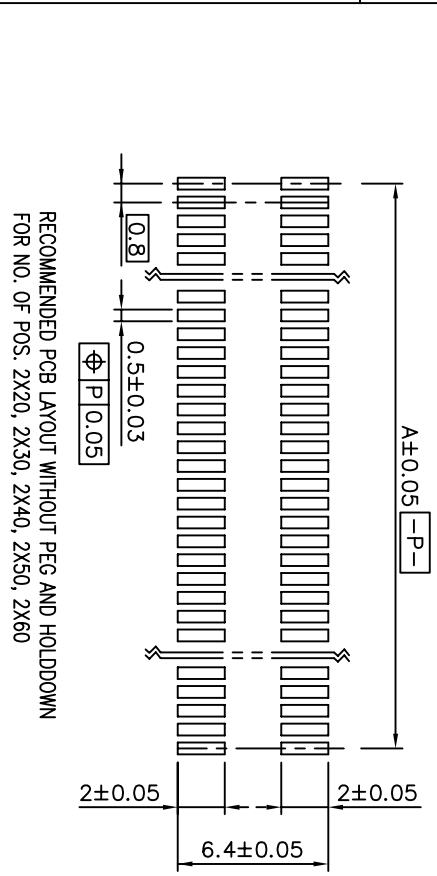
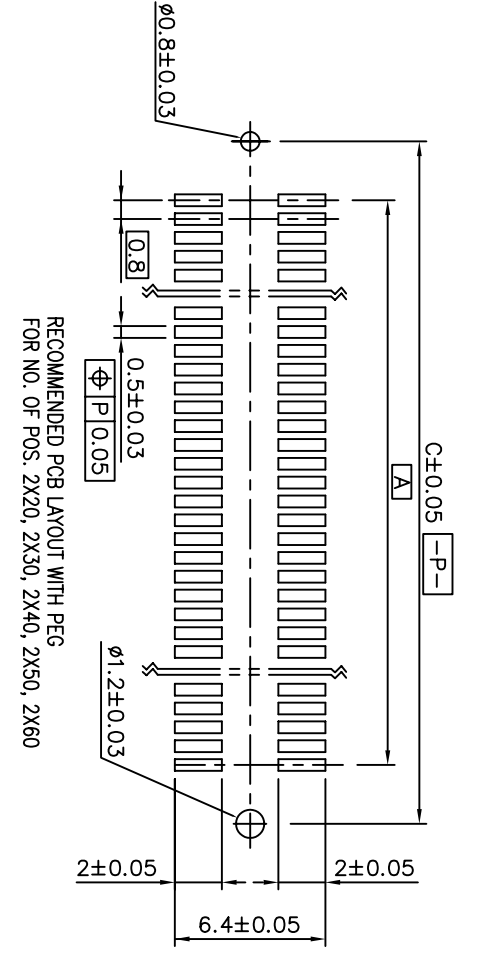
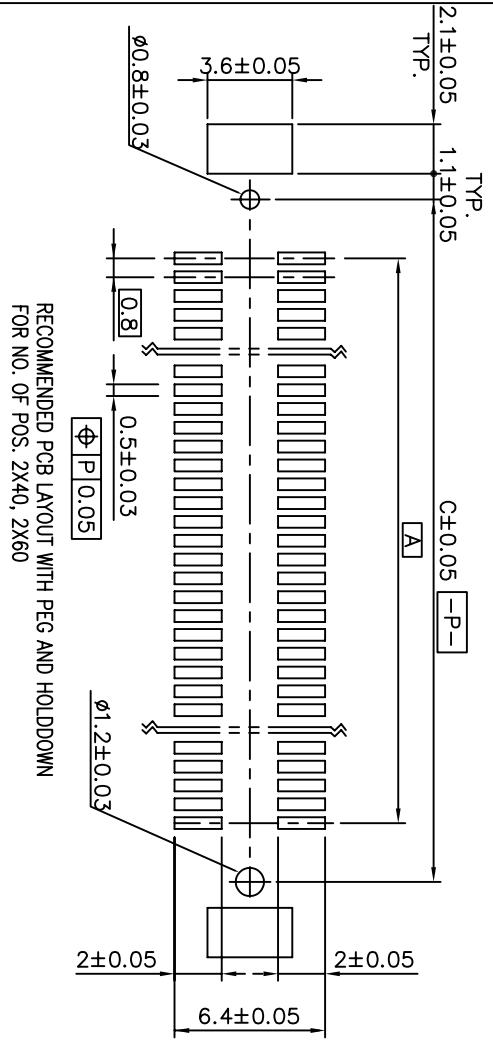
mat'l. code		surface		tolerance		projection		product family	
lfr	ecn no	dr	date	tolerance unless otherwise specified	angles	projection	title	product family	sheet 5 of 7 size
P						MM	0.8mm BOARD TO BOARD PLUG ASSY	BERGSTAK	A4
R	S07-0166	MCH	2007-05-18		XXX±0.15	scale 4:1			
					XXX±0.10				
		dr	MAGGIE_WU	1999-03-26					
		engr	YU_WEN_CHU	1999-03-26					
		chr	MACHONG	2007-05-18					
		dppd	JOEY_NG	2007-05-18					
sheet index	revision								

PRODUCT NUMBER	POSITIONS	DIMENSION			
		"A"	"E"	"F"	"G"
61083-081***	2 X40	31.2	37.8	36.2	41.7
					39.23



PLUG 1  
FOR HOLD DOWN

mat'l. code		surface		tolerance		projection		product family	
lfr	ecn no	dr	date	tolerance unless otherwise specified		MM		BERGSTAK	
R				angles		MM		0.8mm BOARD TO BOARD	
S	S07-0166	MCH	2007-05-18	0 ± 2°	XXX ± 0.15	scale 3:1		PLUG ASSY	
		dr	MAGGLE_WU	1999-03-26	XXX ± 0.10			sheet 6 of 7 size	
		engr	YU_WEN_CHU	1999-03-26				61083	
		chr	MACHONG	2007-05-18				CUSTOMER Drawing	
		dppd	JOEY_NG	2007-05-18				A4	
sheet index	revision								



FOR PLUG 1/2/3/4

mat'l. code		surface		tolerance		projection		product family	
lfr	ecn no	dr	date	tolerance unless otherwise specified		projection		product family	
N	S07-0166	MCH	2007-05-18	angles	X±0.20	MM		BERGSTAK	
P	S08-0043	MCH	2008-02-20	0±2°	XXX±0.15			0.8mm BOARD TO BOARD PLUG ASSY	
R	S08-0043	MCH	2008-02-20	XXX±0.10	scale 3:1			sheet 7 of 7 size	
sheet		revision		engr		YU_WEN_CHU		1999-03-26	
index		sheet		chf		MACHONG		2008-02-20	
				dppd		JOEY_NG		2008-02-20	
								A4	
								CUSTOMER Drawing	