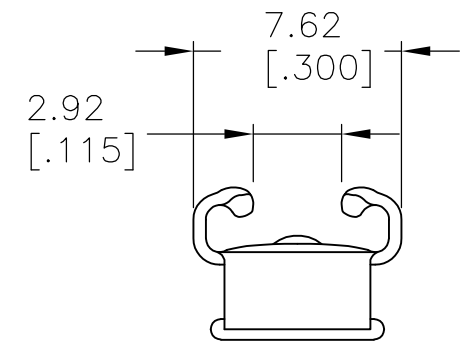
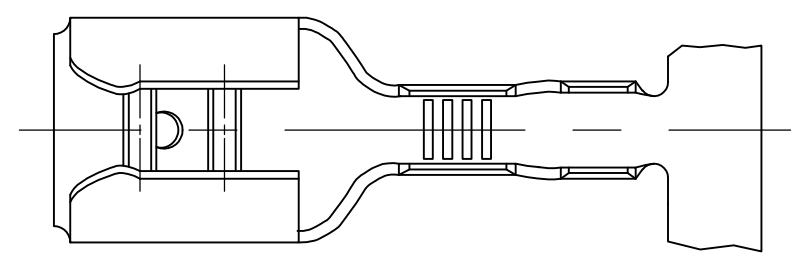


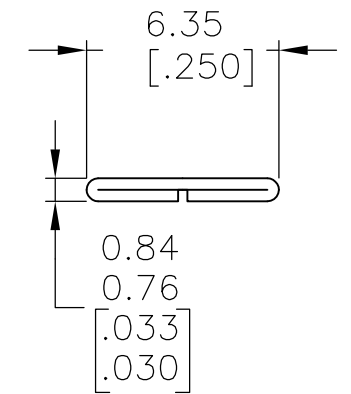
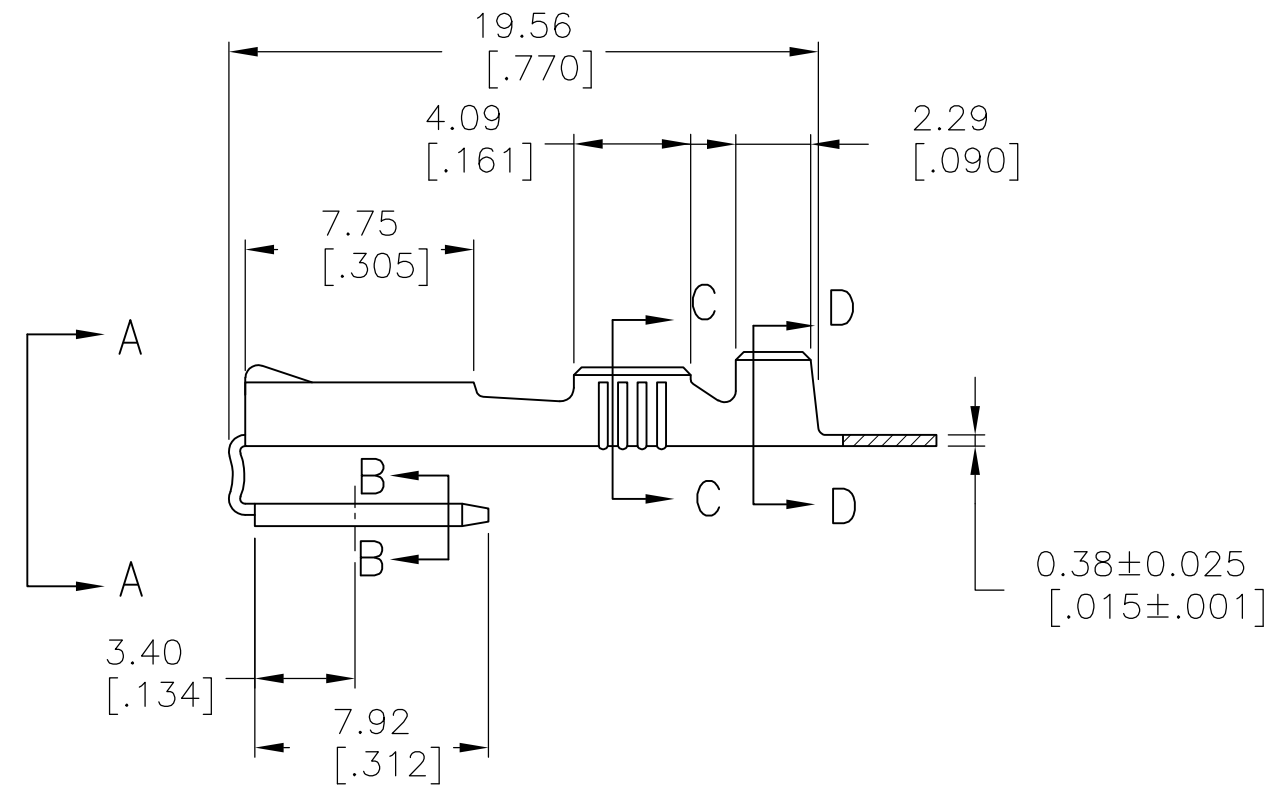
THIS DRAWING IS UNPUBLISHED. RELEASED FOR PUBLICATION
 © COPYRIGHT BY TYCO ELECTRONICS CORPORATION. ALL RIGHTS RESERVED.

LOC	DIST	REVISIONS					
AF	50	P	LTR	DESCRIPTION	DATE	DWN	APVD
			J2	REVISED PER ECR-07-029580	07DEC07	JR	PD

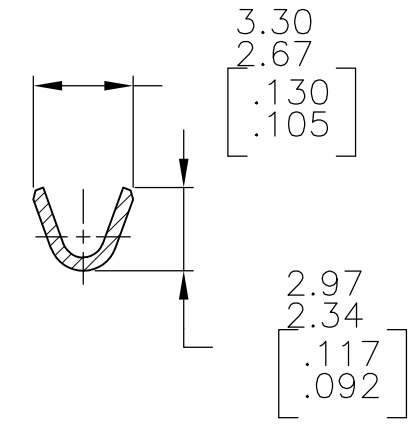


VIEW A-A

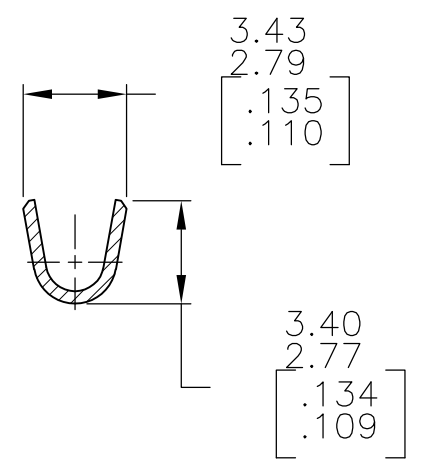
1 - CONTINUOUS STRIP ON REELS.
 2 - STRESS RELIEVED



SECTION B-B



SECTION C-C



SECTION D-D

2	TIN	1.52-2.54 [.060-.100]	#22-#18 AWG	0.81±0.025 [.032±.001]	61988-3
	TIN				61988-2
	-				61988-1
FINISH	INSUL RANGE	WIRE SIZE	MATING TAB THICKNESS	PART NUMBER	

THIS DRAWING IS A CONTROLLED DOCUMENT.		DWN JR RUTH 5/14/86	Tyco Electronics Corporation Harrisburg, PA 17105-3608		
DIMENSIONS: mm [INCHES]	TOLERANCES UNLESS OTHERWISE SPECIFIED:	CHK MS FEHER 5/14/86	NAME RECEPTACLE, FASTON, PIGGYBACK, 6.35 [.250] SERIES		
	0 PLC ± -	APVD C NEYERS 5/16/86	PRODUCT SPEC		RESTRICTED TO
	1 PLC ± -	APPLICATION SPEC	114-2082		
MATERIAL H04 BRASS	FINISH SEE TABLE	WEIGHT -	SIZE A3	CAGE CODE 00779	DRAWING NO G-61988
CUSTOMER DRAWING			SCALE 4:1	SHEET 1 OF 1	REV J2