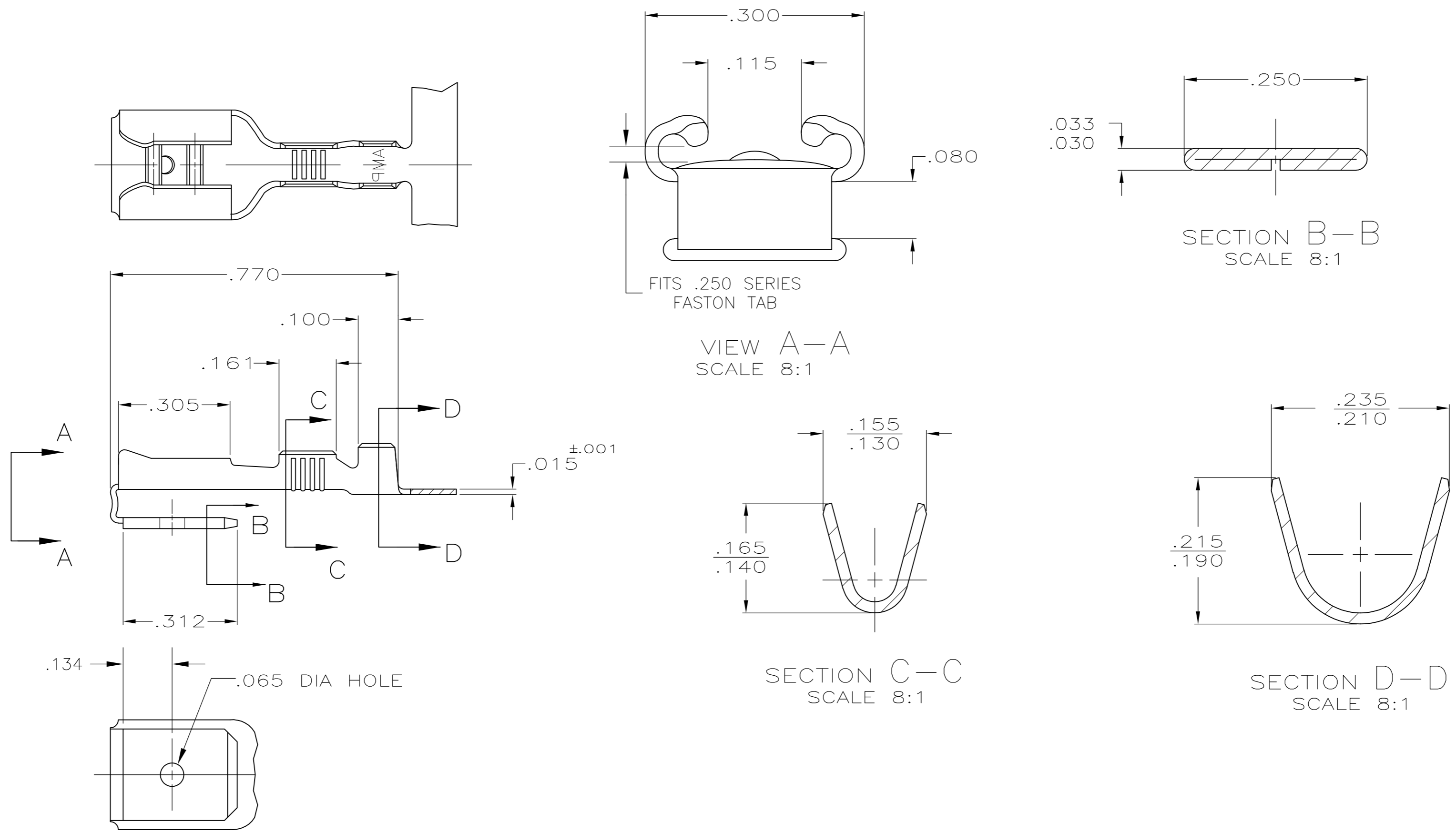


THIS DRAWING IS UNPUBLISHED. RELEASED FOR PUBLICATION
 © COPYRIGHT BY TYCO ELECTRONICS CORPORATION. ALL RIGHTS RESERVED.

LOC	DIST	REVISIONS			
P	LTR	DESCRIPTION	DATE	DWN	APVD
AF	50	E1	REVISED PER ECR-07-018043	09AUG07	HMR PD



FITS .250 SERIES FASTON TAB

SECTION B-B
SCALE 8:1

VIEW A-A
SCALE 8:1

SECTION C-C
SCALE 8:1

SECTION D-D
SCALE 8:1

TYPE	WIDTH	STRIP LENGTH ±.015	TYPE	WIDTH	±.002 HEIGHT	WIRE
F	.180	.220	F	.110	.057	18
					.063	16
					.072	14
INSUL BARREL CRIMP			WIRE BARREL CRIMP			

FINISH	MATERIAL	INSULATION RANGE	WIRE SIZE	MATING TAB THK ±.001	PART NO.
TIN	#4H BRASS	.120-.170	18-14	.032	62223-2
-	#4H BRASS	.120-.170	18-14	.032	62223-1

THIS DRAWING IS A CONTROLLED DOCUMENT.

DWN	JR RUTH	7/12/89	Tyco Electronics Corporation Harrisburg, PA 17105-3608
CHK	MS FEHER	7/12/89	
APVD	C MEYERS	7/12/89	
PRODUCT SPEC			
DIMENSIONS: INCHES 			NAME RECEPTACLE, FASTON™ PIGGYBACK, .250 SERIES
TOLERANCES UNLESS OTHERWISE SPECIFIED: 0 PLC ± - 1 PLC ± - 2 PLC ± - 3 PLC ± .015 4 PLC ± - ANGLES ± -			APPLICATION SPEC 114-2082
MATERIAL SEE TABLE			SIZE A2
FINISH SEE TABLE			CAGE CODE 00779
CUSTOMER DRAWING			DRAWING NO C=62223
			RESTRICTED TO -
			SCALE 4:1
			SHEET 1 of 1
			REV E1

62223