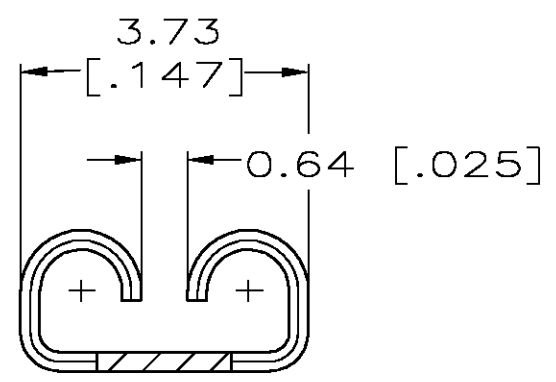
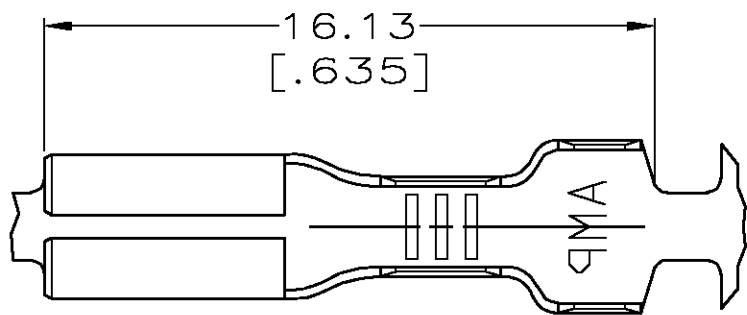


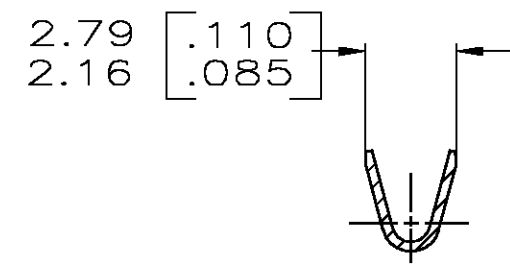
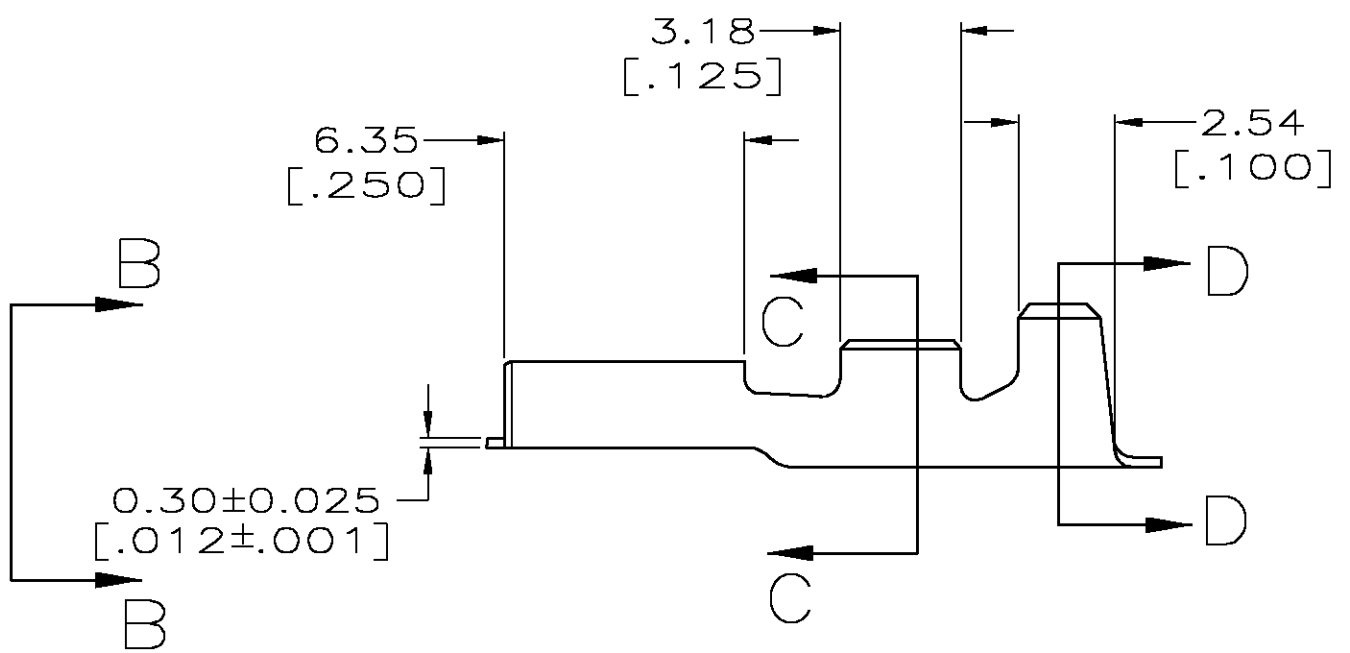
THIS DRAWING IS UNPUBLISHED. RELEASED FOR PUBLICATION  
 © COPYRIGHT BY TYCO ELECTRONICS CORPORATION. ALL RIGHTS RESERVED.

LOC	DIST	REVISIONS			
P	LTR	DESCRIPTION	DATE	DWN	APVD
AF	50	C1	REV PER ECR-05-000752	23MAR05	JR PD

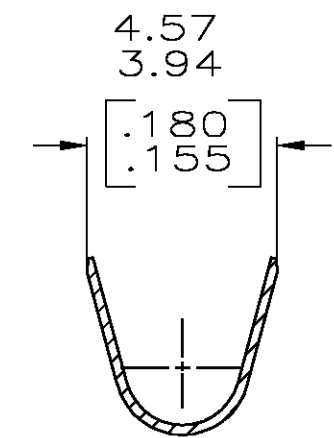
- CONTINUOUS STRIP ON REELS.
- MATING TAB THK IS  $0.81 \pm 0.025$  [ $.032 \pm .001$ ].
- WIRE SIZE IS [#22-#18] AWG.
- INSULATION RANGE IS 2.29-3.30 [ $.090-.130$ ] DIA.
- $\triangle 5$  0.002032 [ $.000080$ ] MIN TIN OVER COPPER



VIEW B-B  
SCALE 10:1



SECTION C-C



SECTION D-D

63021-1  
PART NO.

THIS DRAWING IS A CONTROLLED DOCUMENT.		DWN JR RUTH 5/23/97	Tyco Electronics Corporation Harrisburg, Pa 17105-3608		
DIMENSIONS: mm [INCHES]		CHK P FORTNEY 5/23/97			
TOLERANCES UNLESS OTHERWISE SPECIFIED:		APVD P DESANTIS 5/23/97	NAME RECEPTACLE, FASTON, 2.79 [.110] SERIES		
0 PLC ± - 1 PLC ± - 2 PLC ± 0.38 [.015] 3 PLC ± - 4 PLC ± - ANGLES ± -		PRODUCT SPEC -	SIZE A3	CAGE CODE 00779	DRAWING NO C-63021
MATERIAL H04 BRASS		FINISH - $\triangle 5$	APPLICATION SPEC -	RESTRICTED TO -	WEIGHT -
CUSTOMER DRAWING			SCALE 5:1	SHEET 1 OF 1	REV C1