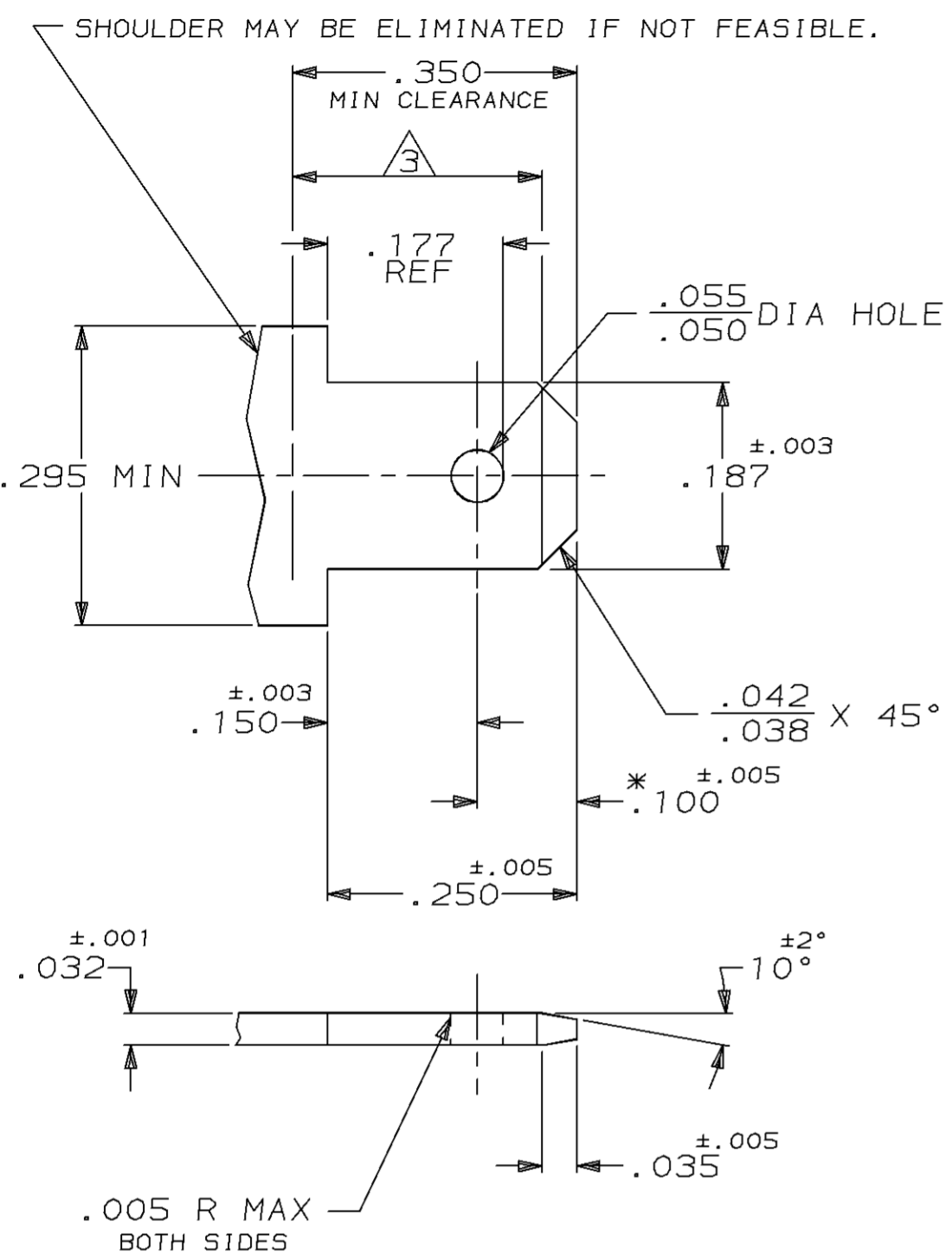
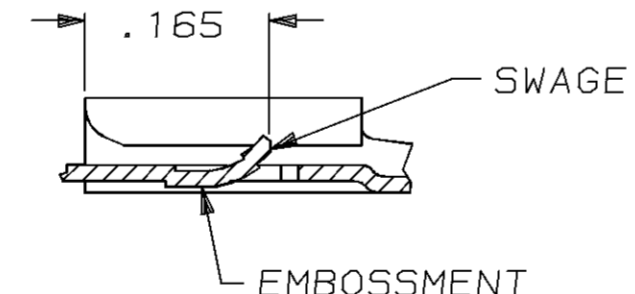
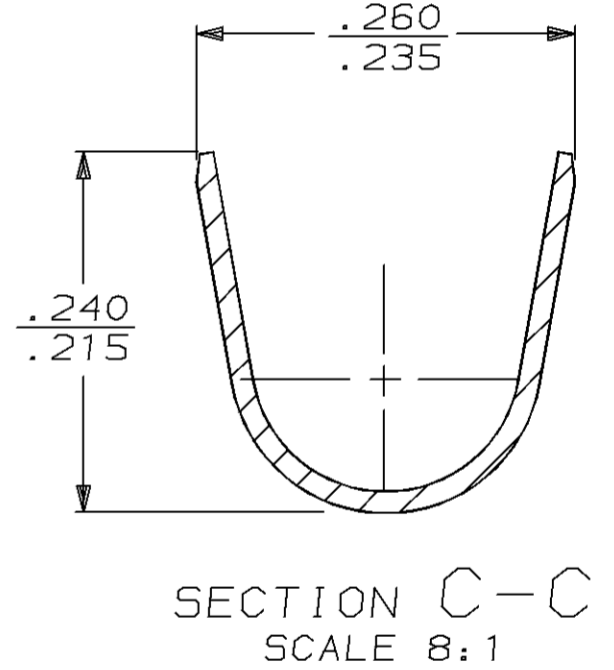
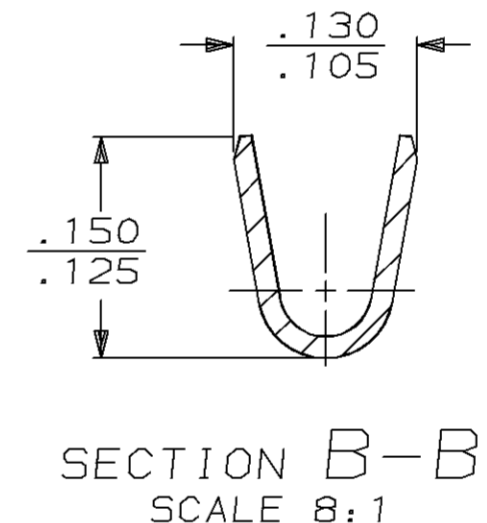
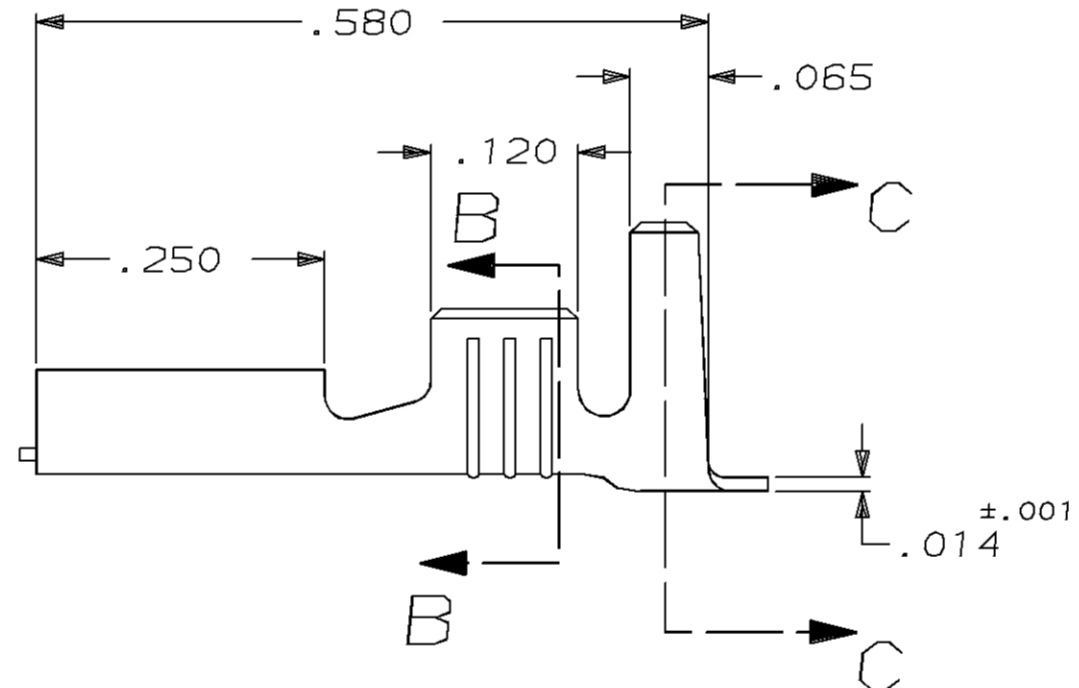
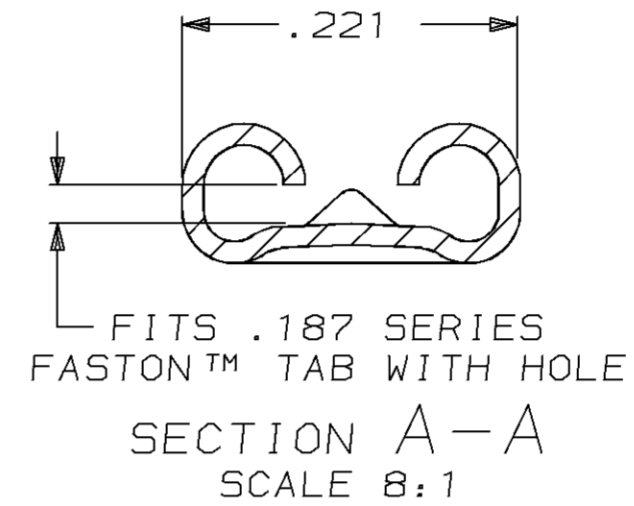
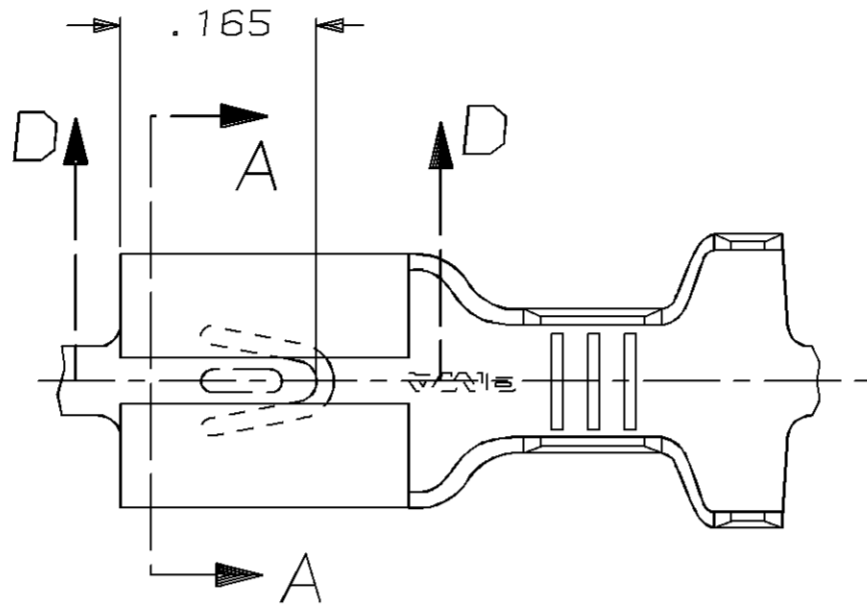


LOC		DIST		P		F		ZONE		LTR		REVISIONS		DATE	APPD
AF		50										E REV PER 0502-94		12/8/94	JR/JG

SUGGESTED MATING TAB



- 1 - MATL: 1/2H BRASS OR NICKEL PL STEEL.
- 2 - NO BURRS PERMISSIBLE AT HOLE.
- 3 - MUST BE FLAT WITHIN .003 OVER THIS LENGTH.
- 4 - HOLE MUST BE SYMMETRICAL ABOUT TAB Q WITHIN 0.076 [0.003]
- * TO BE USED ONLY WHEN SHOULDER IS ELIMINATED.



F	.180	.188	F	.090	.077	14
					.066	16
					.059	18
TYPE	WIDTH	STRIP LENGTH ±.015	TYPE	WIDTH	±.002 HEIGHT	WIRE
INSUL BARREL CRIMP			WIRE BARREL CRIMP			

DO NOT SCALE PRINT. UNLESS SPECIFIED DIMENSIONS IN INCHES TOLERANCES ON:		DR 1/3/90 JR RUTH		INSUL RANGE		18-14		63524-1	
2 PLC DEC ± -		CHK 1/3/90 MS FEHER		WIRE SIZE		PART NO		AMP INCORPORATED Harrisburg, Pa. 17105	
3 PLC DEC ± .010		APPD 1/3/90 J GILLESPIE		NAME		RECEPTACLE, FASTON™		LOCK-ON, 4.75 [.187] SERIES	
ANGLES ± -		APPD 1/3/90 R KUZO		PRODUCT SPEC		SIZE		CAGE CODE	
MATERIAL		TEMP 3 PHOS BRONZE		FINISH		SCALE		DRAWING NO	
FINISH		△2		APPLICATION SPEC		6:1		00779	
WEIGHT		-		WEIGHT		-		63524	
								SHEET 1 OF 1	