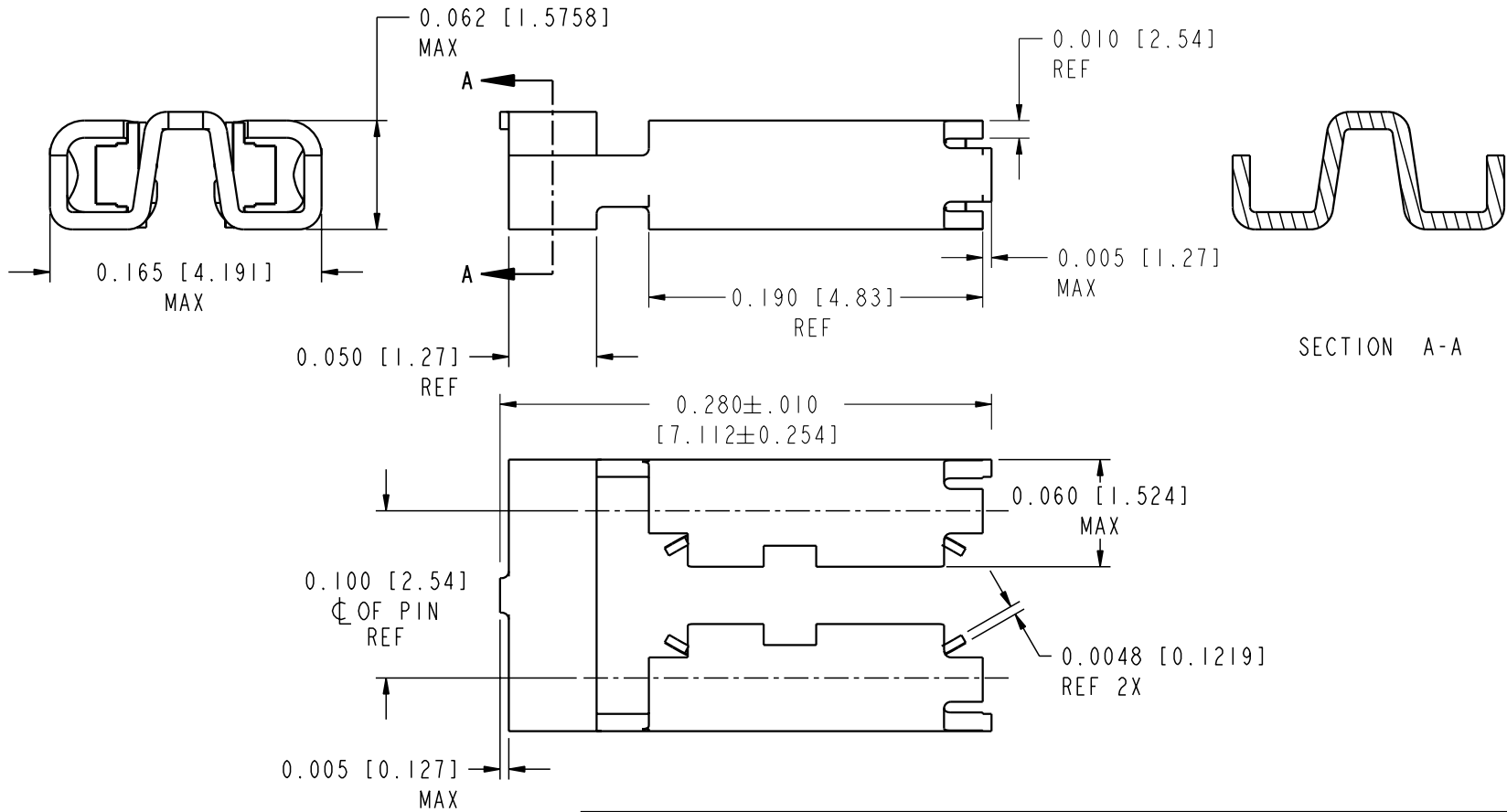


Tous droits strictement réservés. Reproduction ou communication o des tiers interdite sous quelque forme que ce soit sans autorisation écrite du propriétaire. Propriété de c FCI. Droits de reproduction FCI.

All rights strictly reserved. Reproduction or issue to third parties in any form, whatever is not permitted without written authority from the proprietor. Property of FCI. Copyright FCI.

PRODUCT NUMBER	TERMINAL BODY	TERMINAL SPRING
75630-001	1/4 HARD BRASS w/GOLD FLASH 40u"/1.02u Au IN CONTACT AREA	.0048/.122 THK. Be-Cu w/ GOLD FLASH
75630-002	1/4 HARD BRASS W/TIN-LEAD PLATING	.0048/.122 THK. Be-Cu w/ TIN PLTG.
75630-003	OBSOLETE	OBSOLETE
75630-004	1/4 HARD Cu Ni w.001/.03 MIN. GOLD DOT	0.0048/.122 THK. Be-Cu w/ GOLD FLASH



mat'l code				tolerances unless otherwise specified		CUSTOMER		FCI	
ltr	ecm no.	dr	date	linear	.XX ± .01/0.X ± 0.3	COPY		www.fciconnect.com	
A	APPROVED	DH	5/5/76	linear	.XXX ± .005/0.XX ± 0.13	projection		title 0.100 [2.54] Ø	
B	OBS -003	DH	3/1/77	angles	.XXXX ± .0005/0.XXX ± 0.013	INCH/MM		product family MNI - JUMP	
C	V03-0151	LP	5/30/03	dr	L.POTTEIGER 5/30/03	scale 10:1		code 213	
				enr	H.SUNDY 5/30/03			sheet 1 of 1	
				chr	H.SUNDY 11/12/01				
				appd	H.SUNDY 5/30/03				
sheet index	revision sheet	C	I						

Pro/E

cage code 22526

PDM: Rev:C

STATUS: Released

Printed: Dec 05, 2007