

THIS DRAWING IS UNPUBLISHED. RELEASED FOR PUBLICATION

© COPYRIGHT BY TYCO ELECTRONICS CORPORATION. ALL RIGHTS RESERVED.

LOC FT DIST 0

REVISIONS

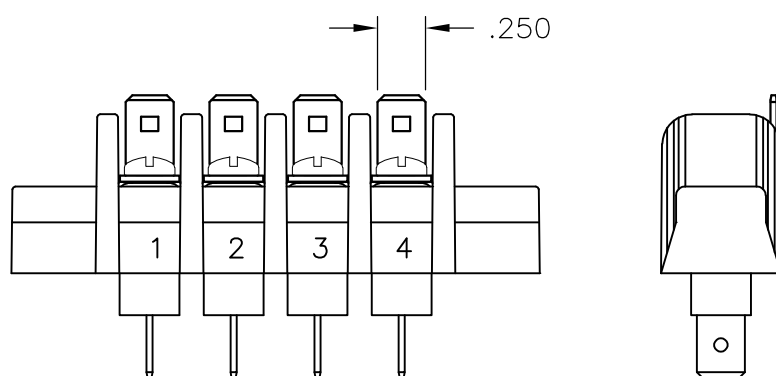
P	LTR	DESCRIPTION	DATE	DWN	APVD
B1		REVISED PER ECO-09-000926	15JAN09	HMR	CR
B2		REVISED PER ECO-10-000444	19JAN10	KK	HMR

MATERIAL:
 HOUSING: THERMOPLASTIC, UL94V-2, BLACK.
 TERMINALS: BRASS, BRIGHT TIN PLATE.
 SCREWS: 6-32, STEEL, PLATED .0002 MIN ZINC W/
 CLEAR CHROMATE COATING. UNLESS OTHERWISE
 SPECIFIED.

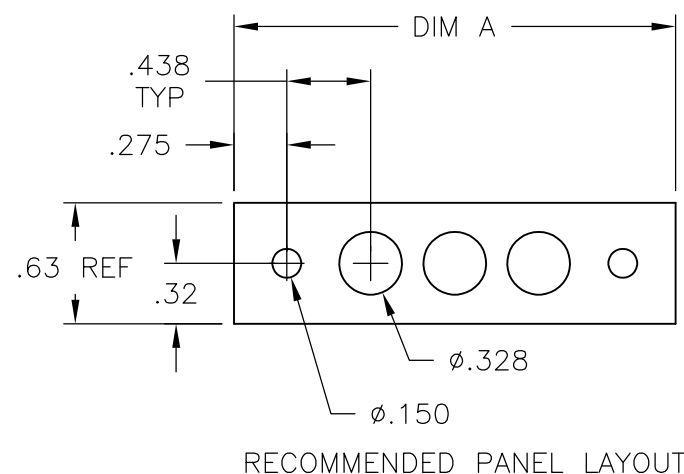
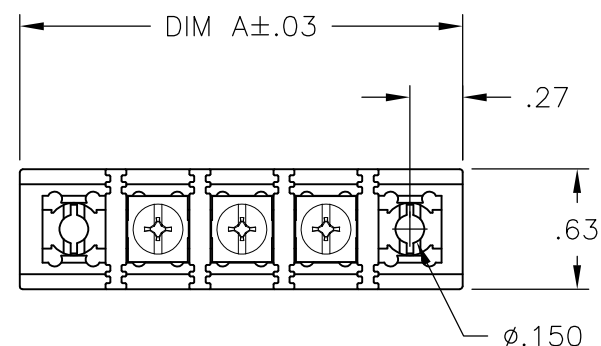
ELECTRICAL:
 MAXIMUM CURRENT: 20A.
 OPERATING VOLTAGE: 600V.
 WIRE RANGE: 12-22 AWG.

ENVIRONMENTAL:
 OPERATING TEMP.: -60°C TO +105°C

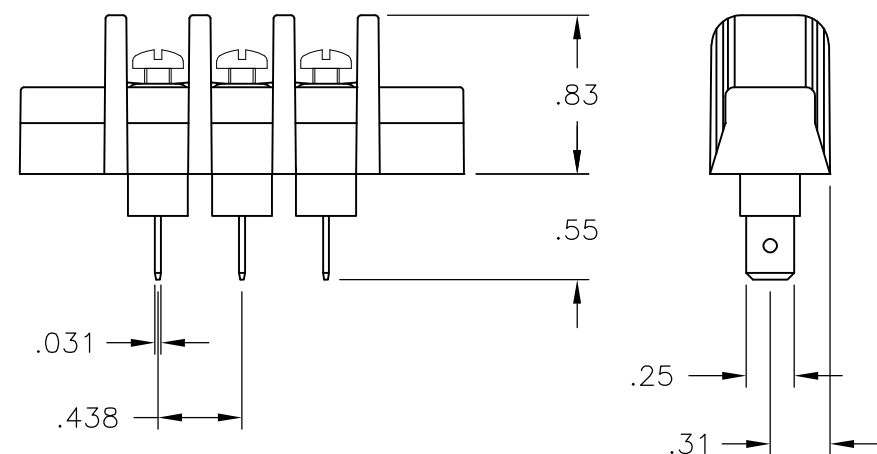
- 1 SCREWS ARE STAINLESS STEEL.
- 2 PRELIMINARY PART NUMBER.
- 3 SCREWS: NICKEL PLATED BRASS BINDING HEAD.
- 4 OBSOLETE PARTS: OBSOLETE CIS STREAMLINING PER D.RENAUD/D.SINISI



2-1546977-6



RECOMMENDED PANEL LAYOUT



REV	DIM A	NO. OF POS.	CATALOG NUMBER	PART NUMBER	
4	OBSOLETE	9.750	20	SSB7TF200501	9-1437416-1
1	9.750	20	SSB7TG200501	2-1546977-0	
1	9.312	19	SSB7TG190503	3-1546561-6	
1	9.312	19	SSB7TG190501	1437417-3	
1	8.875	18	SSB7TG180503	3-1546561-5	
1	8.875	18	SSB7TG180501	1-1546977-8	
1	8.437	17	SSB7TG170501	1-1546977-7	
1	8.000	16	SSB7TG160501	1-1546977-6	
1	7.562	15	SSB7TG150501	1-1546977-5	
1	7.125	14	SSB7TF140501	9-1437416-0	
1	7.125	14	SSB7TG140501	1-1546977-4	
1	6.687	13	SSB7TG130501	1-1546977-3	
1	6.250	12	SSB7TG120501	1-1546977-2	
1	5.812	11	SSB7TG110501	1-1546977-1	
1	5.375	10	SSB7TG100501	1437417-1	
1	4.937	9	SSB7TG090501	1546977-9	
1	4.500	8	SSB7TG080501	1546977-8	
1	4.062	7	SSB7TG070501	1546977-7	
4	OBSOLETE	3.625	6	SSB7TF060501	8-1437416-6
4	OBSOLETE	3.625	6	SSB7TG060501	1546977-6
4	OBSOLETE	3.187	5	SSB7TF050501	1-1546561-4
4	OBSOLETE	3.187	5	SSB7TG050501	1546977-5
OBSOLETE	2.750	4	SSB7TF040501	2-1546977-7	
2	2.750	4	SSB7TF042511	2-1546977-6	
2	2.750	4	SSB7TG040501	1546977-4	
1	2.312	3	SSB7TG030501	1546977-3	
1	1.875	2	SSB7TG020503	9-1437416-3	
1	1.875	2	SSB7TG020501	1546561-8	
1	1.437	1	SSB7TG010501	5-1437417-6	

THIS DRAWING IS A CONTROLLED DOCUMENT.		DWN S SCHL GEL 6/3/04	Tyco Electronics Corporation Harrisburg, Pa 17105-3608			
DIMENSIONS: INCHES		CHK S YODER 6/3/04				
TOLERANCES UNLESS OTHERWISE SPECIFIED:		APVD S YODER 6/3/04	NAME			
0 PLC ± - 1 PLC ± - 2 PLC ± .02 3 PLC ± .010 4 PLC ± - ANGLES ± 1°		PRODUCT SPEC	SSB7TGXX0501			
MATERIAL		APPLICATION SPEC	SIZE	CAGE CODE	DRAWING NO	RESTRICTED TO
FINISH		WEIGHT	A3	00779	C-8-1437416-6	-
CUSTOMER DRAWING			SCALE	SHEET	REV	
			NTS	1 OF 2	B2	

4

3


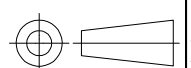
2

1

THIS DRAWING IS UNPUBLISHED. RELEASED FOR PUBLICATION
 © COPYRIGHT - BY TYCO ELECTRONICS CORPORATION. ALL RIGHTS RESERVED.

LOC	DIST	REVISIONS					
FT	0	P	LTR	DESCRIPTION	DATE	DWN	APVD
		-		SEE SHEET 1	-	-	-

11.937	25	SSB7TG250501	2-1546977-5
11.500	24	SSB7TG240501	2-1546977-4
11.062	23	SSB7TG230501	2-1546977-3
10.625	22	SSB7TG220504	2-1546977-8
10.625	22	SSB7TG220501	2-1546977-2
10.187	21	SSB7TG210501	2-1546977-1
DIM A	NO. OF POS.	CATALOG NUMBER	PART NUMBER

THIS DRAWING IS A CONTROLLED DOCUMENT.		DWN S SCHL GEL 6/3/04	 Tyco Electronics Corporation Harrisburg, Pa 17105-3608	
DIMENSIONS: INCHES		CHK S YODER 6/3/04		
		APVD S YODER 6/3/04	NAME	
TOLERANCES UNLESS OTHERWISE SPECIFIED:		PRODUCT SPEC	SSB7TGXX0501	
0 PLC ± -		APPLICATION SPEC	SIZE CAGE CODE DRAWING NO RESTRICTED TO	
1 PLC ± -			A3 00779 C-8-1437416-6 -	
2 PLC ± .02		WEIGHT -	SCALE NTS SHEET 2 OF 2 REV B2	
3 PLC ± .010				
4 PLC ± -				
ANGLES ± 1°				
MATERIAL -	FINISH -	CUSTOMER DRAWING		