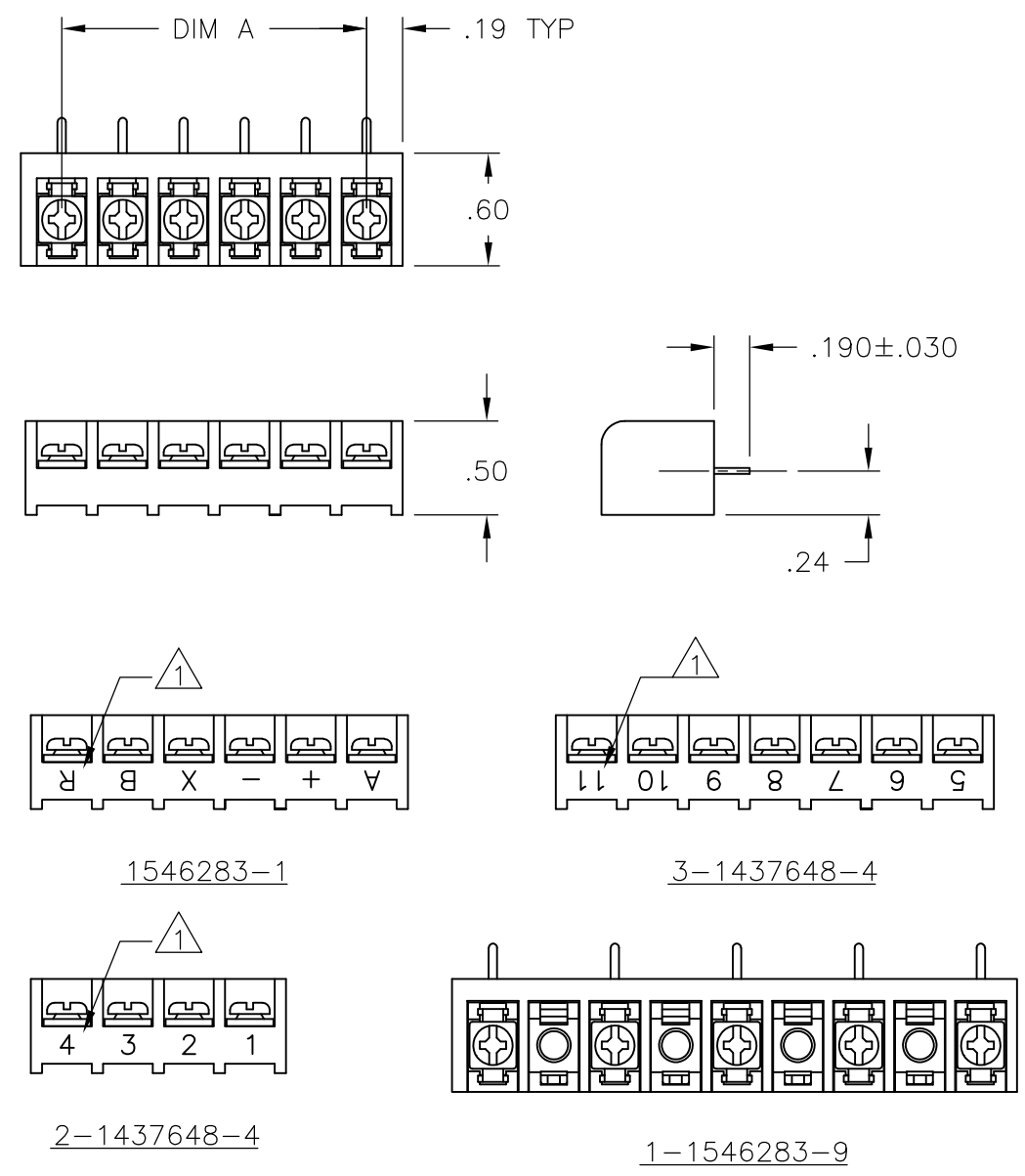


THIS DRAWING IS UNPUBLISHED. RELEASED FOR PUBLICATION
 © COPYRIGHT BY TYCO ELECTRONICS CORPORATION. ALL INTERNATIONAL RIGHTS RESERVED.

| | | | | | |
|-----------|-----------|---------------------------|---------|-----|------|
| LOC FT | DIST 0 | REVISIONS | | | |
| P | LTR | DESCRIPTION | DATE | DWN | APVD |
| | C | REVISED PER ECO-10-012583 | 17JUN10 | HMR | CR |

- ① MARKED USING WHITE INK AS SHOWN.
- ② SCREWS BOTTOMED.
- ③ OBSOLETE PARTS: OBSOLETE CIS STREAMLINING PER D.RENAUD/D.SINISI



| DIM A REF | NO OF POS | CATALOG NUMBER | TE PART NO. | |
|-------------|-----------|----------------|-------------|----------------------|
| 8.775 | 28 | 4PCR-28-006 | 1546279-1 | |
| 8.450 | 27 | 4PCR-27-006 | 1-1546283-6 | |
| 8.125 | 26 | 4PCR-26-006 | 1-1546283-5 | |
| 7.800 | 25 | 4PCR-25-006 | 1-1546283-4 | |
| 7.475 | 24 | 4PCR-24-006 | 9-1546119-1 | |
| 7.150 | 23 | 4PCR-23-006 | 4-1437648-9 | |
| 6.825 | 22 | 4PCR-22-006 | 1-1546283-3 | |
| 6.500 | 21 | 4PCR-21-006 | 1-1546283-2 | |
| 6.175 | 20 | 4PCR-20-006 | 1-1546283-1 | |
| 5.850 | 19 | 4PCR-19-006 | 1-1546283-0 | |
| 5.525 | 18 | 4PCR-18-006 | 1546283-9 | |
| 5.200 | 17 | 4PCR-17-006 | 4-1437648-8 | |
| 4.875 | 16 | 4PCR-16-006 | 1546283-8 | |
| 4.550 | 15 | 4PCR-15-006 | 1546283-7 | |
| 4.225 | 14 | 4PCR-14-006 | 1546283-6 | |
| 3.900 | 13 | 4PCR-13-006 | 1546283-5 | |
| 3.575 | 12 | 4PCR-12-006 | 9-1546119-0 | |
| 3.250 | 11 | 4PCR-11-006 | 1546283-4 | |
| 2.925 | 10 | 4PCR-10-006 | 8-1546119-9 | |
| 2.600 | 9 | 4PCR-05-526 | 1-1546283-9 | |
| ②③ OBSOLETE | 2.600 | 9 | 4PCR-09-518 | 1546283-3 |
| | 2.600 | 9 | 4PCR-09-006 | 4-1437648-1 |
| ③ OBSOLETE | 2.275 | 8 | 4PCR-08-006 | 3-1437648-8 |
| | 1.950 | 7 | 4PCR-07-444 | 3-1437648-4 |
| ②③ OBSOLETE | 1.950 | 7 | 4PCR-07-006 | 8-1546119-8 |
| | 1.625 | 6 | 4PCR-06-517 | 1546283-2 |
| | 1.625 | 6 | 4PCR-06-519 | 1546283-1 |
| | 1.625 | 6 | 4PCR-06-006 | 3-1437648-1 |
| ③ OBSOLETE | 1.300 | 5 | 4PCR-05-006 | 2-1437648-8 |
| | .975 | 4 | 4PCR-04-468 | 2-1437648-4 |
| | .975 | 4 | 4PCR-04-006 | 2-1437648-3 |
| | .650 | 3 | 4PCR-03-006 | 2-1437648-0 |
| | .325 | 2 | 4PCR-02-006 | 1-1437648-8 |

| | | | | |
|---|--|-------------------------------|---|---------------|
| THIS DRAWING IS A CONTROLLED DOCUMENT. | | DWN S. SCHLEGEL 9/26/03 | Tyco Electronics Corporation Harrisburg, Pa 17105-3608 | |
| DIMENSIONS: INCHES | | CHK S. YODER 9/26/03 | | |
| TOLERANCES UNLESS OTHERWISE SPECIFIED: | | APVD S. YODER 9/26/03 | NAME | |
| 0 PLC ± - 1 PLC ± - 2 PLC ± .01 3 PLC ± .005 4 PLC ± - ANGLES ± 1° | | PRODUCT SPEC | 4PCR-XX-006 ASSEMBLY | |
| MATERIAL | | APPLICATION SPEC | SIZE | CAGE CODE |
| FINISH | | WEIGHT | A3 | 00779 |
| | | CUSTOMER DRAWING | DRAWING NO | RESTRICTED TO |
| | | | G-2-1437648-0 | |
| | | SCALE | SHEET | REV |
| | | NTS | 1 OF 2 | C |

4

3


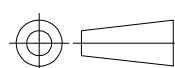
2

1

THIS DRAWING IS UNPUBLISHED. RELEASED FOR PUBLICATION
 © COPYRIGHT - BY TYCO ELECTRONICS CORPORATION. ALL INTERNATIONAL RIGHTS RESERVED.

| LOC | DIST | REVISIONS | | | |
|-----|------|-------------|------|-----|------|
| P | LTR | DESCRIPTION | DATE | DWN | APVD |
| | | SEE SHEET 1 | - | - | - |

| DIM A REF | NO OF POS | CATALOG NUMBER | TYCO PART NO. |
|-----------|-----------|----------------|---------------|
| 9.425 | 30 | 4PCR-30-006 | 1-1546283-8 |
| 9.100 | 29 | 4PCR-29-006 | 1-1546283-7 |

| | | | | |
|---|-------------|-------------------------------|---|-----------------------------|
| THIS DRAWING IS A CONTROLLED DOCUMENT. | | DWN S. SCHLEGEL 9/26/03 |  Tyco Electronics Corporation Harrisburg, Pa 17105-3608 | |
| DIMENSIONS: INCHES | | CHK S. YODER 9/26/03 | | |
|  | | APVD S. YODER 9/26/03 | NAME 4PCR-XX-006 ASSEMBLY | |
| TOLERANCES UNLESS OTHERWISE SPECIFIED: | | PRODUCT SPEC - | SIZE A3 | |
| 0 PLC ± - | | APPLICATION SPEC - | CAGE CODE 00779 | DRAWING NO G-2-1437648-0 |
| 1 PLC ± - | | WEIGHT - | RESTRICTED TO - | |
| 2 PLC ± .01 | | CUSTOMER DRAWING | | |
| 3 PLC ± .005 | | SCALE NTS | | |
| 4 PLC ± - | | SHEET 2 OF 2 | | |
| ANGLES ± 1° | | REV C | | |
| MATERIAL - | FINISH - | | | |