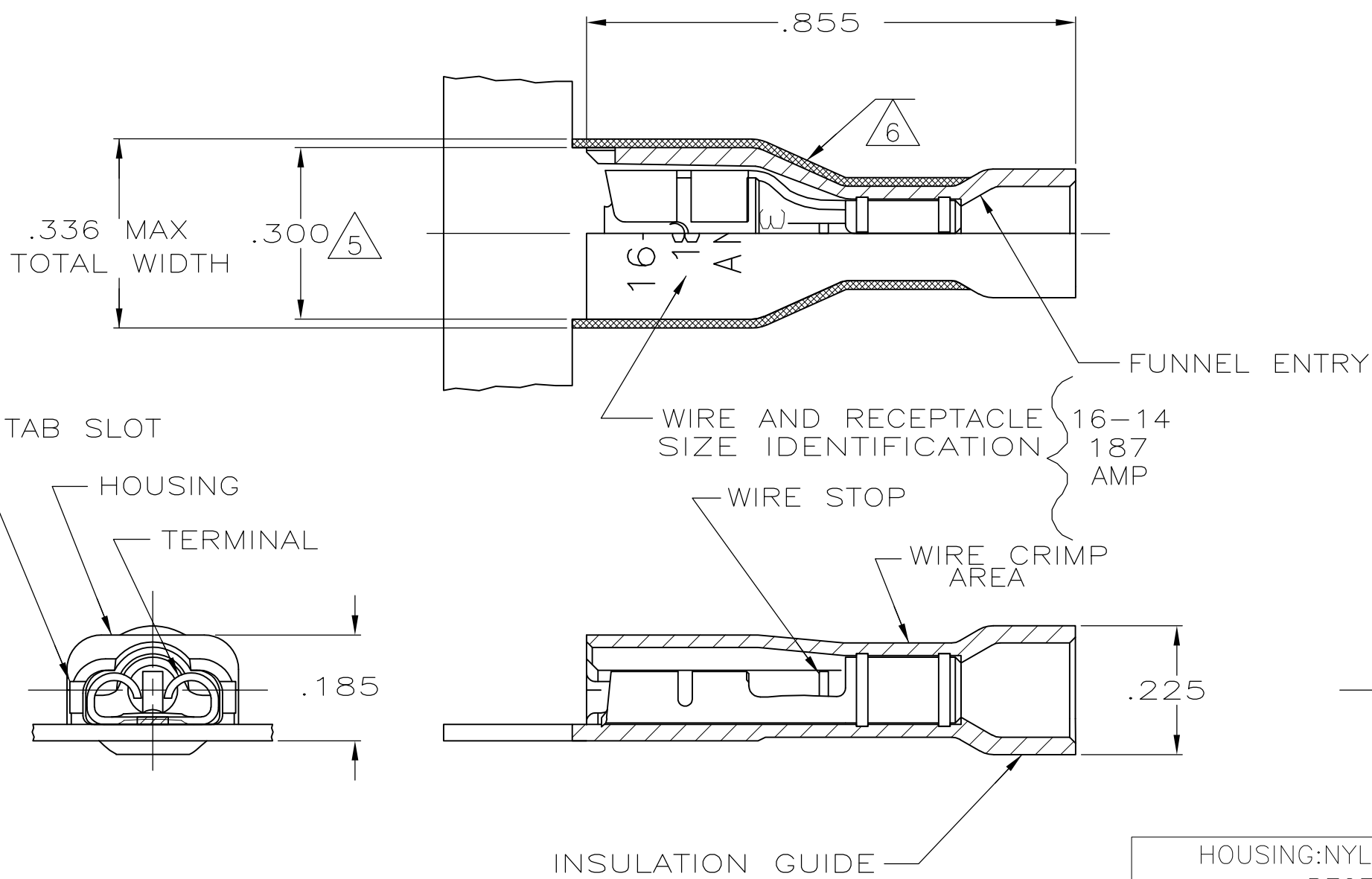


THIS DRAWING IS UNPUBLISHED. RELEASED FOR PUBLICATION
 © COPYRIGHT BY TYCO ELECTRONICS CORPORATION. ALL INTERNATIONAL RIGHTS RESERVED.

LOC	DIST	REVISIONS			
P	LTR	DESCRIPTION	DATE	DWN	APVD
AF	50	M1	REVISED PER ECR-09-026241	16DEC09	HMR GP

- 1 MATES WITH .032±.001x.187 TAB
- 2 WIRE STRIP LENGTH .281
- 3 INSULATION SIZE .160 MAX DIA
- 4 CONTINUOUS STRIP ON REELS
- △5 DIMENSION DOES NOT INCLUDE TRIM BURR
- △6 .015 MAX CARRIER TRIM BURR PER SIDE IS ALLOWABLE IN THE SHADED AREA



HOUSING: NYLON, COLOR-BLACK TRANSLUCENT RECEPTACLE: #3 HARD BRASS TIN PL .000080 MIN THK	9-520124-2
HOUSING: NYLON, COLOR-BLUE TRANSLUCENT RECEPTACLE: #3 HARD BRASS TIN PL .000080 MIN THK	3-520124-2
MATERIAL & FINISH	PART NO

THIS DRAWING IS A CONTROLLED DOCUMENT.		DWN P FORTNEY 11/7/88	Tyco Electronics Corporation Harrisburg, PA 17105-3608			
DIMENSIONS: INCHES	TOLERANCES UNLESS OTHERWISE SPECIFIED:	CHK MS FEHER 11/8/88	NAME RECEPTACLE ASSY, ULTRA-FAST, .187 SERIES, 16-14 AWG			
		APVD K RANDOLPH 11/8/88				
MATERIAL SEE TABLE	FINISH SEE TABLE	PRODUCT SPEC 108-2043	SIZE A3	CAGE CODE 00779	DRAWING NO C-520124	RESTRICTED TO -
		APPLICATION SPEC 114-2123	SCALE 4:1	SHEET 1 OF 1	REV M1	
CUSTOMER DRAWING						