

- Series 917 TO package sockets are available in 3, 4, 8 and 10 positions.
- Two 8 pin versions feature pin centers on .200" or .230" circle.
- Series 917 uses MM #1705 receptacles. See page 137 for details. Receptacles use Hi-Rel, 6 finger #35 contact rated at 3 amps. See page 209 for details.
- Insulators are high temp. thermoplastic.



### Transistor Sockets

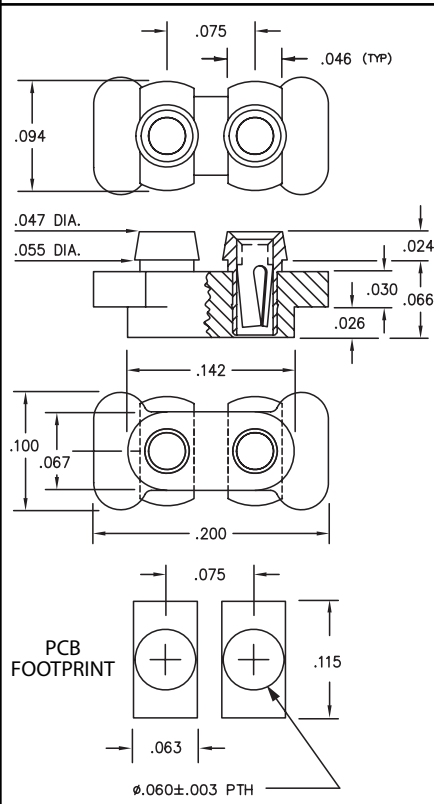
Type	Circle Dia.	No. of Pins	Ordering Information
TO-5	0.200	3	917-XX-103-41-005000
TO-5	0.200	4	917-XX-104-41-005000
TO-5	0.200	8	917-XX-108-41-005000
TO-100	0.230	8	917-XX-208-41-005000
TO-100	0.230	10	917-XX-210-41-005000



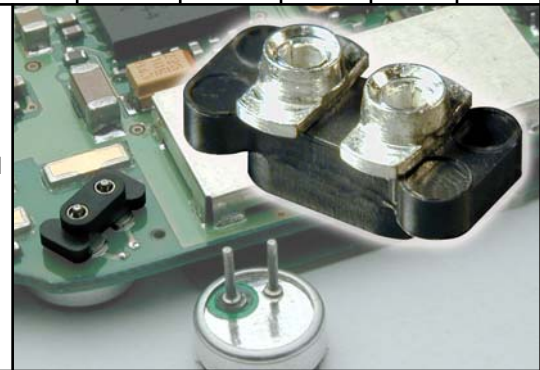
**XX= Plating Code**  
See Below

For RoHS compliance select  $\diamond$  plating code.

SPECIFY PLATING CODE XX=	13 $\diamond$	93	99	43 $\diamond$	44 $\diamond$
Sleeve (Pin)	10 $\mu$ " Au	200 $\mu$ " Sn/Pb	200 $\mu$ " Sn/Pb	200 $\mu$ " Sn	200 $\mu$ " Sn
Contact (Clip)	30 $\mu$ " Au	30 $\mu$ " Au	200 $\mu$ " Sn/Pb	30 $\mu$ " Au	200 $\mu$ " Sn



- Series 388 microphone socket is a bottom entry socket for microphones having  $\varnothing$ .018" pins on .075" centers.
- Designed to be surface mount and intrusive reflow soldered.
- Insulator is high temp. Nylon 46, rated UL 94 V-0.
- Series 388 uses MM #8874 pin. See page 128 for details.



### Microphone Socket

### Ordering Information

**388-XX-102-11-740800** (Discrete sockets)

Plating Code  $\nearrow$

**388-XX-102-11-740799**

(Supplied on 12mm wide carrier tape per EIA-481: 6,500 per 13" reel)

SPECIFY PLATING CODE XX=	13 $\diamond$	99	44 $\diamond$
Sleeve (Pin)	10 $\mu$ " Au	200 $\mu$ " Sn/Pb	200 $\mu$ " Sn
Contact (Clip)	30 $\mu$ " Au	200 $\mu$ " Sn/Pb	200 $\mu$ " Sn